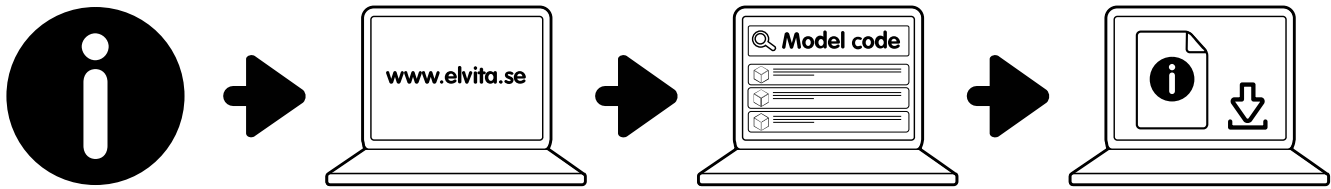


CTM7840V - 2023-02-22



You can find the latest updated manual online. Please go to elvita.se and use the search function and the product's model code to find the manual.

CONTENTS/INHALT/INNEHÅLL/INNHOLD/INDHOLD/SISÄLLYSLUETTELO/ EFNISYFIRLIT

ENGLISH	2
DEUTSCH	47
SVENSKA	93
NORSK	139
DANSK	185
SUOMI	231
ÍSLENSKA	277

Contents

SAFETY	5
Admonitions	5
Intended use	5
Safety for children and people with disabilities.....	5
General safety.....	6
Safety during installation	6
Safety during operation	7
Safety during maintenance	8
Disposal.....	8
QUICK START	9
Quick Start.....	9
GETTING STARTED	10
Getting to know your washing machine.....	10
Controls.....	10
Symbols on the display	10
Detergent dispenser.....	10
Accessories.....	11
Use the child lock	11
Find the model code.....	11
Before first use	12
Calibrate the machine.....	12
Run an empty washing cycle.....	12
WASHING	13
Before each wash	13
Start washing	14
Options, settings and functions	15
Options, settings and functions	15
Change the Soil level.....	16
Change the spin speed.....	16
Change the temperature	16
Use the Delay option.....	16
Use the Extra Rinse option	16
Use the Pre-wash option	16
Use the SpaCare option.....	17
Use the Speed Wash option	17
Use the My cycle function	17
Reload - add laundry during a wash	17
Mute and unmute the acoustic signal	17
Washing programmes	18
20 °C	18
Baby care	18

Bed linen	18
Cotton	19
Drum clean	19
ECO 40-60	20
Intensive	20
Mix	20
My cycle	21
Spin only	21
Synthetic	21
Quick 15 min	21
Rinse & Spin	22
Wool	22
CLEANING	23
Clean the exterior	23
Clean the detergent dispenser	23
Clean the drum	24
Clean the door seal and glass	25
Clean the tap inlet filter	25
Clean the machine inlet filter	26
Clean the drain pump filter	28
TROUBLESHOOTING	31
The machine does not start	31
Display does not come on	31
The door cannot be opened	31
Water is leaking	32
Detergent residue in the dispenser	32
Indicator or display does not come on	32
Abnormal noise	32
The E10 error code is displayed	32
The E12 error code is displayed	32
The E21 error code is displayed	32
The E30 error code is displayed	33
The EXX error code is displayed	33
INSTALLATION	34
Installation area	34
Unpack the machine	35
Remove the transport bolts	37
Level the machine	39
Connect the water supply hose to a tap	40
Connect the water supply hose to the machine	41
Connect to an external drain	41
Position the drain hose into a floor drain	42
Connect the drain hose to a sink drain pipe.....	42

Position the drain hose into a sink 42

APPENDIX 45

Technical specifications..... 45

Consumption values..... 45

EU directives and standards..... 46

SAFETY

Carefully read the instructions before you install and use the product. Save the instructions and keep them near the product for future reference. All kinds of warranties shall be invalid if these instructions are not followed.

Admonitions

**WARNING!**

Used when there is a risk for personal injury.

**CAUTION!**

Used when there is a risk for damage to the product.

**NOTE!**

General information that you should be aware of.



Helpful tips that you may find useful.

Intended use

This product is only intended for:

- Indoor use in a household or a household environment such as:
 - staff kitchen areas in shops, offices and other working environments;
 - family houses;
 - by clients in hotels, motels and other residential type environments;
 - bed and breakfast type environments.
- The washing of machine-washable clothes and textiles in a detergent solution.
- Washing using commercially available low foam detergents and care products which are suitable for use in a front-loaded washing machine or washer-dryer.

This product is not intended for integration into a cabinet.

Safety for children and people with disabilities

**WARNING!**

Only let the following groups use the product if they are supervised or if instructions are provided to them about how to use the product in a safe way. They must understand the hazards involved.

- Children. (Children younger than 8 years old must be continuously supervised.)
- People with reduced physical, sensory or mental capabilities.
- People with lack of experience and knowledge.

**WARNING!**

- Do not let children play with the product.
- Do not let children clean the product without supervision.

**WARNING!**

There is a risk that animals and children may climb into the product. Check inside before every operation.

**WARNING!**

The glass door may get very hot during operation. Keep children and pets well away from the product during operation.

General safety

**WARNING!**

- Do not wash or dry articles that have been cleaned in, washed in, soaked in, or dabbed with combustible or explosive substances, such as wax, oil, paint, gasoline, degreasers, dry cleaning solvents, kerosene, etc. This may result in fire or explosion.
- Rinse any such items of laundry thoroughly by hand before washing.

**WARNING!**

Risk of electric shock!

- If the supply cord is damaged, it must be replaced by the manufacturer, its service agent or similarly qualified persons in order to avoid a hazard.
- If the machine is damaged, it must not be operated unless repaired by the manufacturer, its service agent or similarly qualified persons.
- Before any cleaning or performing any maintenance of the product, unplug the product from the mains.
- Do not use a socket with a rated current less than that of the product.
- Never pull out the power plug from the socket with wet hands.

**CAUTION!**

- Do not climb up or sit on top of the product.
- Do not lean against the door of the product.
- Do not close the door with excessive force. If you find it difficult to close the door, please check that it is not obstructed by laundry.
- Do not wash rugs in the product.

**CAUTION!**

When moving the product:

- The transport bolts must be reinstalled in the machine by a suitably qualified person.
- Any water in the product must be drained out of the machine.
- Handle the product carefully. Never hold protruding parts of the machine while lifting.
- Do not use the door of the product to lift it during transport.
- This product is heavy. Transport with care.

Safety during installation

**WARNING!**

Before installing the product, check for any externally visible damage. Do not install or use a damaged product.

**WARNING!**

Do not install the machine

- in a bathroom in a situation where there is a risk of direct contact with water, for example, water jet from a shower, water from a bathtub, or in a very wet room or a room with high humidity;
- in a room with explosive gases or caustic gases; or
- behind a lockable door, a sliding door or a door with a hinge on the opposite side from the product.

**WARNING!**

Adequate ventilation has to be provided to avoid the back flow of gases into the room from appliances burning other fuels, including open fires.

**WARNING!**

- Remove all packaging and transport bolts before using the product. Otherwise, serious damage may result.
- Keep all packaging material well away from children. There is a risk of suffocation!

**WARNING!**

- Make sure that the product is connected to water and electrical supplies by a suitably qualified person in accordance with the manufacturer's instructions and local safety regulations.
- If the power cord is damaged, it must be replaced by the manufacturer, the manufacturer's service agent or similarly qualified persons in order to avoid a hazard.
- Make sure to connect the power plug to an earthed three-pole socket. Check carefully to ensure that your socket is properly and reliably earthed.
- Make sure that the power plug of the machine is accessible after installation and that the machine does not stand on the power cord.
- When levelling the machine, the lock nuts on all four feet must be screwed tightly against the housing.
- If applicable, make sure the ventilation openings in the base of the product are not obstructed by, for example, a carpet.
- Use the new hose sets supplied with the product. Do not reuse old hose sets.

**CAUTION!**

- The inlet hose must be connected to the cold water supply.
- Do not kink, crush, modify or sever the water inlet hose.
- Do not kink or stretch the drain hose.
- Position the drain hose properly, as it could lead to a water leak if it is damaged.
- If the drain hose is too long, do not force it into the machine as it will cause unusual noises.

**CAUTION!**

- Before the product is used the first time, it must be calibrated.
- Before washing laundry items the first time, a washing programme must be run to completion without any items in the drum.

Safety during operation

**WARNING!**

- Flammable, explosive or toxic solvents are forbidden. Gasoline and alcohol etc. must not be used as detergents. Only use detergents that are suitable for machine washing.

**WARNING!**

- Always unplug the product and turn off the water supply after use.

**WARNING!**

- Take care to avoid scalding when the hot water is being emptied from the product.
- If the product has a function that allows you to pause a washing programme and add more clothes, do not use this function when the water level is above the rim of the inner drum or the temperature setting is high.
- When the drum is still rotating and there is a large amount of hot water in the drum, it is unsafe to open the door and the door cannot be opened by force.
- Never refill with water by hand during washing.

**CAUTION!**

- After a washing program is completed:
 - wait for two minutes before opening the door, and
 - check whether the water inside the drum has been drained before opening the door. Do not open the door if there is any water visible.

**CAUTION!**

- Fabric softeners, or similar products, should be used as specified by the fabric softener instructions.
- Sharp and rigid items, such as coins, brooches, nails, screws or stones etc., may cause serious damage to this machine. Make sure that all pockets are emptied.

**CAUTION!**

- Before the product is used the first time, it must be calibrated.
- Before washing laundry items the first time, a washing programme must be run to completion without any items in the drum.

Safety during maintenance

**WARNING!**

- Only authorised technicians may carry out repairs.
- If you experience problems with the product that the troubleshooting information in the complete manual cannot help you solve, turn off the product, unplug it from the power supply, turn off the water supply, and contact our support and service.

**WARNING!**

Turn off the power supply and the water supply to the product before performing any maintenance.

**WARNING!**

During operation, there may be hot water in the drain pump. Never remove the pump cover during a washing cycle, always wait until the product has finished the cycle and all water has been drained.

**CAUTION!**

- Do not use solvents, alcohol, products containing formic acid, abrasive cleaners, glass cleaners or all-purpose cleaners to clean this product. Plastic surfaces and other parts may become damaged.
- Wear gloves when cleaning the product.
- There is a risk for water leakage if the pump cover is not properly reinstalled after cleaning of the drain pump filter.

Disposal



Dispose of packaging in an environmentally-friendly manner. Recycling packaging, while observing national and local regulations, can reduce the consumption of raw materials and the amount of waste in landfill sites.

This product is marked in compliance with European Directive 2012/19/EU, Waste Electrical and Electronic Equipment (WEEE). The symbol on the product or on its packaging indicates that this product should not be treated as household waste. Instead it shall be handed over to the applicable collection point for the recycling of electrical and electronic equipment.

By ensuring this product is disposed of correctly, you will help prevent potential negative consequences for the environment and human health, which could otherwise be caused by inappropriate waste handling of this product. For more detailed information about recycling of this product, please contact the relevant municipal body in charge of waste management, your household waste disposal service or the store where you purchased the product.

QUICK START

Quick Start

Before washing

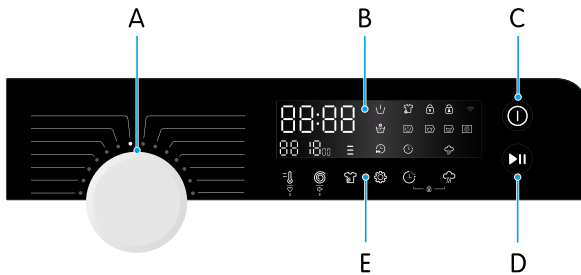
Washing

After washing

GETTING STARTED

Getting to know your washing machine

Controls



- A. Programme selector
- B. Display
- C. On/Off
- D. Start/Pause
- E. Options, settings, and functions

Symbols on the display



Pre-wash



Reload



Door lock



Child lock



Extra rinse



Cycle phase: Pre-wash



Cycle phase: Wash



Cycle phase: Rinse



Cycle phase: Spin



Speed wash

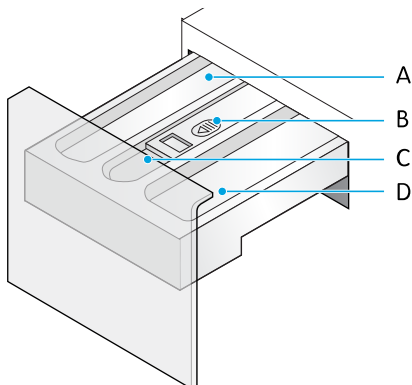


Delay



SpaCare

Detergent dispenser



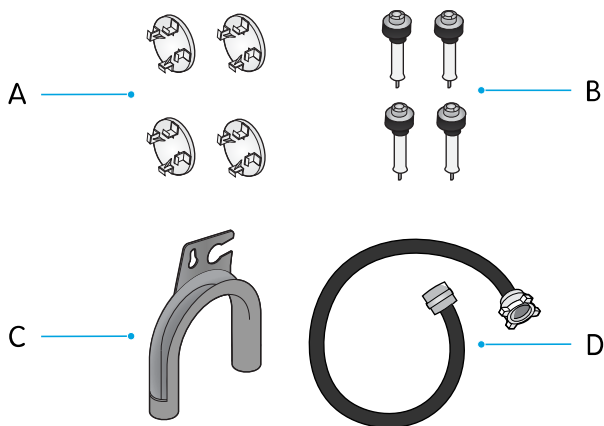
- A. Main wash detergent
- B. Detergent lock (push down to remove dispenser)
- C. Softener
- D. Pre-wash detergent



WARNING!

Flammable and explosive or toxic solvents are forbidden. Gasoline and alcohol etc. must not be used as detergents. Only use detergents that are suitable for machine washing.

Accessories



- A. Transport hole plugs
- B. Transport bolts
- C. Drain hose holder
- D. Water supply hose

Transport hole plugs

For plugging the holes after the transport bolts have been removed.

Transport bolts

For securing the machine during transport.

Drain hose holder



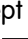


For securing the hose and avoiding kinks, for example when placing the hose over the edge of a sink.

Water supply hose

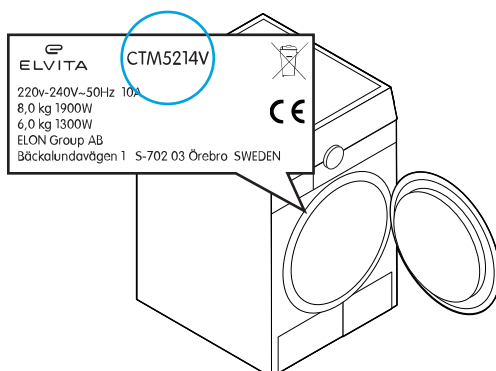
For connecting the machine to the water supply.

Use the child lock

Activate the child lock to avoid accidental operation by children.

1. Touch and hold  and  for 3 seconds until an acoustic signal sounds. All buttons except  are now locked.
2. Touch and hold  and  for 3 seconds to deactivate the child lock.
NOTE! Turning the power off and on will not deactivate the child lock.

Find the model code



The model code is printed on a label on the product. You need the code to find the complete and most recent information, service and support for your product model.







NOTE!

This product and label text are examples. Your product and text may have a different look and content.

Before first use

Calibrate the machine

1. Make sure the machine is empty.
2. Plug in the power cord.
3. Press  to turn on the machine.
4. Within 10 seconds after the machine was turned on, touch and hold  and  until **t19** is displayed.
5. Press .

NOTE! Calibration is completed when the drum stops rotating and digits are displayed.

Run an empty washing cycle

Make sure that the machine is installed and calibrated properly.

1. Plug in the power cord.
2. Open the water tap.
3. Start a washing programme.

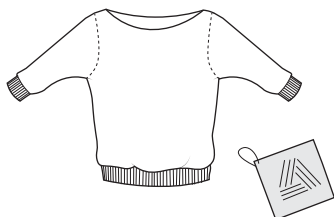
NOTE! Do not put any clothes in the machine.

The machine is ready for use when the programme has completed.

WASHING

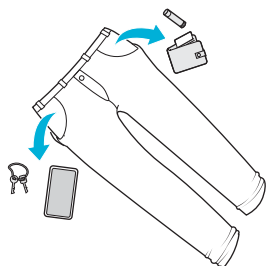
Before each wash

1. Check the clothing care labels.

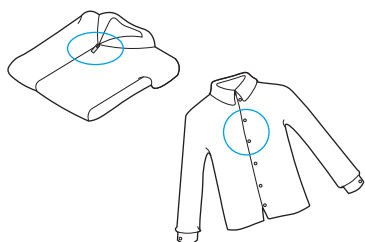


2. Remove any items from the pockets.

CAUTION! Sharp and rigid items, such as coins, brooches, nails, screws or stones etc., may cause serious damage to this washing machine.



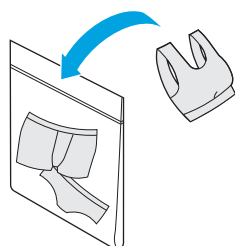
3. Tie any belts and fasten any zips or buttons.



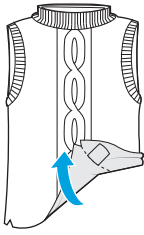
4. Place small items inside a washing bag.



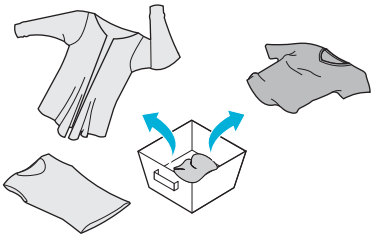
You can also use a pillow case.



5. Turn easy-pilling and long-pile fabric inside out



6. Separate clothes according to fabric type.



Start washing



CAUTION!


Before washing, make sure the machine is correctly installed.



NOTE!

Save energy and water.

- Washing full loads will save energy and water. Maximum capacity depends on the programme.
- In general, a programme that performs at lower temperature and longer duration consumes less energy.

1. Press  to turn on the power.
2. Add clothes.
3. Turn the programme selector to select a programme.
4. Select settings and options if needed.
5. Add detergent and softener in the detergent dispenser if needed.

NOTE! Make sure to use a detergent suitable for the the laundry to be washed and the selected washing programme and temperature.

6. Press  to start the programme.

When the washing is completed an acoustic signal sounds and **End** is displayed.



WARNING!

- Never refill with water by hand during washing.
- After the program is finished, wait for two minutes before opening the door.
- Check whether the water inside the drum has been drained before opening the door. Do not open the door if there is any water visible.
- Take care to avoid scalding when the hot water is being emptied from the machine.

Options, settings and functions

Options, settings and functions

Child lock



Prevents accidental use of the machine. See section "Use the child lock", [page 11](#).

Delay



Delays the start of the washing programme by a specified amount of time.

Extra rinse, Pre-wash, Speed wash



- Extra rinse: Gives the laundry an extra rinse.
- Pre-wash: Gives the laundry an extra wash before the main wash. This helps to bring dirt to the surface of the clothes.
- Speed wash: Decreases the washing time.

Reload



Add laundry during a wash.

Soil level



Sets a soil level. The washing time will increase with higher levels.

SpaCare



Treats the laundry with steam for better washing performance.

Spin speed, Mute / unmute





- Spin speed: Adjusts the spin speed.
- Mute / unmute: Mutes and unmutes the acoustic signal.

Temperature, My cycle



- Temperature: Adjusts the temperature.
- My cycle: Saves your favourite combination of washing programme and options.

Change the Soil level

1. Touch  to cycle through the available levels, from lightly soiled to heavily soiled: 



NOTE!

Higher soil level increases washing time, as indicated on the display.

Change the spin speed

1. Touch  to cycle through the available speeds: (0, 400, 600, 800, 1000, 1200, 1400)



NOTE!

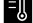
When the spin speed indication lights are off the spin speed is 0.





NOTE!

Higher spin speeds create more noise and lower residual moisture content.

Change the temperature

1. Turn the programme selector to select a programme.
2. Touch  to cycle through the available temperatures: (Cold, 20 °C, 30 °C, 40 °C, 60 °C, 90 °C)






Use the Delay option

1. Turn the programme selector to select a programme.
2. Change settings and select options if needed.
3. Touch  to cycle through the available delay times.
4. Touch .
The washing cycle will start after the delay time has passed.



You can cancel the delay timer by touching  to cycle through the available delay times until the display shows 0H.

Use the Extra Rinse option


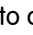



1. Turn the programme selector to select a programme.
2. Touch  to cycle through the available options until  is displayed.
NOTE! The Extra rinse option can be used together with the Pre-wash option. Cycle through the options until both  and  are displayed.
3. Press .

Use the Pre-wash option



NOTE!

You need to add pre-wash detergent when you select this option. See section "Detergent dispenser", [page 10](#).

1. Turn the programme selector to select a programme.
2. Touch  to cycle through the available options until  is displayed.
NOTE! The Pre-wash option can be used together with the Extra rinse option. Cycle through the options until both  and  are displayed.
3. Press .



Use the SpaCare option

This option is available with the programmes Cotton, Baby care, Bed linen and Mix.


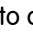



NOTE!

SpaCare uses steam to improve the washing result. In the beginning of the washing cycle, the water will be heated to up to 70 °C to create steam inside the drum.


1. Turn the programme selector to select a programme.
2. Touch .
3. Press .


Use the Speed Wash option

1. Turn the programme selector to select a programme.
2. Touch  to cycle through the available options until  is displayed.
3. Press .

Use the My cycle function

You can save a frequently used programme for quick access. The default programme is Cotton.

1. Select a programme and the settings and options you want to use.
2. Touch and hold  for 3 seconds to add the current programme and settings to the memory.

Your programme and settings are now stored and can be used by turning the programme selector to **My Cycle** .




Reload - add laundry during a wash

You can add more laundry to a wash by first pausing the programme.



WARNING!

Do not use this function when the water level is above the rim of the inner drum or the temperature setting is high.



1. Press and hold  for 3 seconds.
 is displayed.
2. Wait for the drum to stop rotating and for the door to unlock.
WARNING! When the drum is still rotating and there is large amount of hot water in the drum it is unsafe to release open the door and the door cannot be opened by force.
3. Add the laundry and close the door.
4. Press  to resume washing.

Mute and unmute the acoustic signal



NOTE!

The acoustic signal will not sound when it is muted.

1. Touch and hold  for 3 seconds to mute the acoustic signal.
2. Touch and hold  for 3 seconds to unmute the acoustic signal.

The setting will be remembered until the next reset.

Washing programmes

20 °C

20 °C as default temperature. Cold water can also be selected.

Default temperature	20 °C
Default time	1:01
Default speed	1000 rpm
Maximum load, washing	8.0 kg
Pre-wash detergent	-
Main wash detergent	Essential
Softener	Optional
Options	<ul style="list-style-type: none"> • Delay • Extra rinse

Baby care

Keeps the washing temperature above 60 °C for more than 30 minutes to remove harmful bacteria.

Default temperature	60 °C
Default time	1:42
Default speed	800 rpm
Maximum load, washing	8.0 kg
Pre-wash detergent	Optional
Main wash detergent	Essential
Softener	Optional
Options	<ul style="list-style-type: none"> • Delay • Extra rinse • Pre-wash • Soil level • SpaCare • Speed wash

Bed linen

For bed linen, bed sheets or other large items.

Default temperature	40 °C
Default time	1:48
Default speed	1000 rpm

Maximum load, washing	8.0 kg
Pre-wash detergent	Optional
Main wash detergent	Essential
Softener	Optional
Options	<ul style="list-style-type: none"> • Delay • Extra rinse • Pre-wash • Soil level • SpaCare • Speed wash

Cotton

For hard-wearing, heat-resistant textiles made of cotton or linen.

Default temperature	40 °C
Default time	3:39
Default speed	1400 rpm
Maximum load, washing	8.0 kg
Pre-wash detergent	Optional
Main wash detergent	Essential
Softener	Optional
Options	<ul style="list-style-type: none"> • Delay • Extra rinse • Pre-wash • Soil level • SpaCare • Speed wash

Drum clean

Cleans the drum of the machine at 90 °C. Not to be used for laundry.



To increase the cleaning effect, you can use a chlorine bleaching agent intended for washing machines. Follow the instructions included with the bleaching agent.

Default temperature	90 °C
Default time	1:18
Default speed	-
Maximum load, washing	-
Pre-wash detergent	-
Main wash detergent	-
Softener	-
Options	<ul style="list-style-type: none"> • Delay

ECO 40-60

Recommended for normally soiled cotton laundry.

**NOTE!**

This programme is able to wash laundry declared to be washable at 40 °C or 60 °C in one go in the same cycle.

Default temperature	40 °C
Default time	3:32
Default speed	1400 rpm
Maximum load, washing	8.0 kg
Pre-wash detergent	-
Main wash detergent	Essential
Softener	Optional
Options	<ul style="list-style-type: none"> • Delay

Intensive

The washing time is increased for better washing effect.

Default temperature	40 °C
Default time	3:48
Default speed	800 rpm
Maximum load, washing	8.0 kg
Pre-wash detergent	-
Main wash detergent	Essential
Softener	Optional
Options	<ul style="list-style-type: none"> • Delay

Mix

Mixed load consisting of textiles made of cotton and synthetics.

Default temperature	40 °C
Default time	1:20
Default speed	800 rpm
Maximum load, washing	8.0 kg
Pre-wash detergent	Optional
Main wash detergent	Essential
Softener	Optional
Options	<ul style="list-style-type: none"> • Delay • Extra rinse • Pre-wash • SpaCare • Speed wash

My cycle

Define and save your favourite combination of washing programme and options. See section "Use the My cycle function", [page 17](#).

Spin only

Extra spinning with selectable spin speed.

Default temperature	-
Default time	0:12
Default speed	1000 rpm
Maximum load, washing	8.0 kg
Pre-wash detergent	-
Main wash detergent	-
Softener	-
Options	<ul style="list-style-type: none"> • Delay

Synthetic

For washing synthetic items, such as shirts, coats and blended fabrics. When knitted garments are washed, the amount of detergent should be reduced to avoid excessive foaming.

Default temperature	40 °C
Default time	3:18
Default speed	1200 rpm
Maximum load, washing	4.0 kg
Pre-wash detergent	Optional
Main wash detergent	Essential
Softener	Optional
Options	<ul style="list-style-type: none"> • Delay • Extra rinse • Pre-wash • Soil level

Quick 15 min

Extra-short programme. Suitable for small amounts of lightly soiled laundry.

Default temperature	Cold
Default time	0:15
Default speed	800 rpm
Maximum load, washing	2.0 kg
Pre-wash detergent	-
Main wash detergent	Essential

Softener	Optional
Options	<ul style="list-style-type: none"> • Delay

Rinse & Spin

Extra rinsing and spinning.

Default temperature	-
Default time	0:20
Default speed	1000 rpm
Maximum load, washing	8.0 kg
Pre-wash detergent	-
Main wash detergent	-
Softener	Optional
Options	<ul style="list-style-type: none"> • Delay • Extra rinse

Wool

Hand or machine washable wool or wool-rich textiles. Gentle washing programme designed to prevent shrinkage. Includes longer periods without drum rotation.

Default temperature	40 °C
Default time	1:07
Default speed	600 rpm
Maximum load, washing	2.0 kg
Pre-wash detergent	-
Main wash detergent	Essential
Softener	Optional
Options	<ul style="list-style-type: none"> • Delay • Extra rinse

CLEANING

Correct maintenance of your product can extend its working life.

When needed, use a limescale remover intended for washing machines. Follow the instructions included with the remover.

**WARNING!**

Unplug the machine and close the tap before starting maintenance.

**CAUTION!**

Do not use alcohol, solvents or chemical products to clean the product.

Clean the exterior

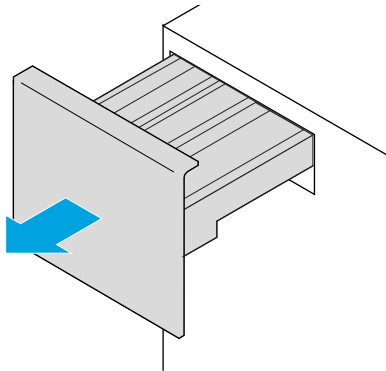
- When needed, clean the surface with diluted non-abrasive neutral detergents.
- If there is any water overflow, use a cloth to wipe it off immediately.

**CAUTION!**

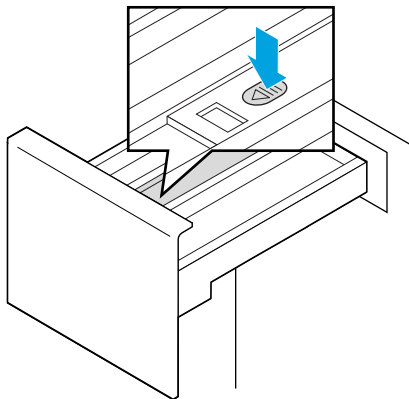
- Do not use sharp cleaning tools.
- Do not use formic acid or solvents, such as alcohol and chemical products, etc.

Clean the detergent dispenser

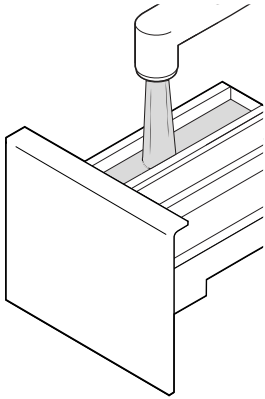
1. Open the dispenser.



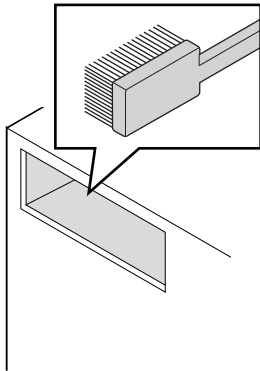
2. Push down the button and pull out the dispenser.



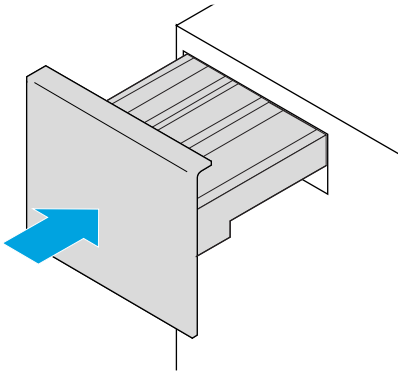
3. Clean the dispenser with water.



4. Clean inside the recess with an old toothbrush.



5. Insert the dispenser.



Clean the drum

- Immediately remove any rust that is left inside the drum by metal parts.

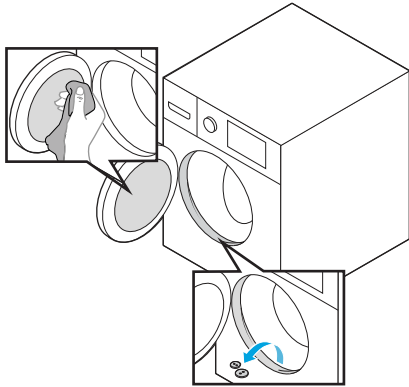


CAUTION!

- Use a chlorine free detergent.
 - Do not use steel wool.
- When needed, run the programme intended for cleaning the drum. See section "Drum clean Trommelreinigung Trumrengöring Trommelrengjøring Tromlerengöring Rummun puhdistus Prif tromlu", [page 19](#).

Clean the door seal and glass

Do this after each wash.



- Wipe the glass and seal to remove lint and stains.

**NOTE!**

If lint builds up it can cause leaks.

- Remove any coins, buttons, or other objects from the seal.

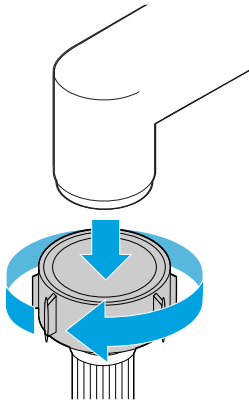
**CAUTION!**

- Use a chlorine free detergent.
- Do not use steel wool.

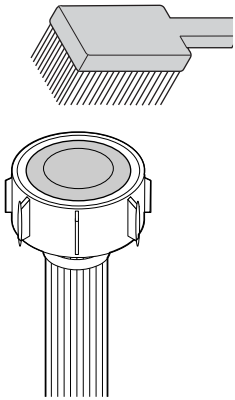
Clean the tap inlet filter

Clean the tap inlet filter every 3 months. The tap inlet filters must be cleaned if the water supply becomes restricted.

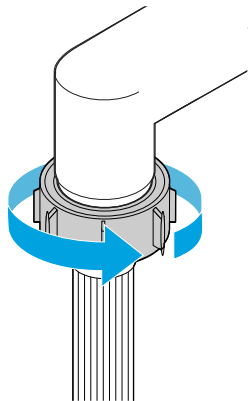
1. Turn off the tap and remove the water supply hose from the tap.



2. Clean the filter.



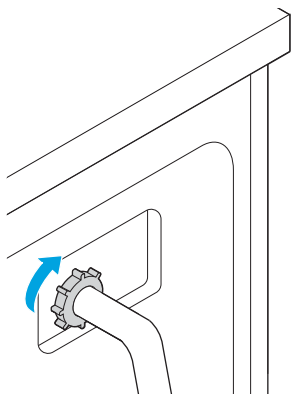
3. Refit the water supply hose to the tap and turn on the tap.



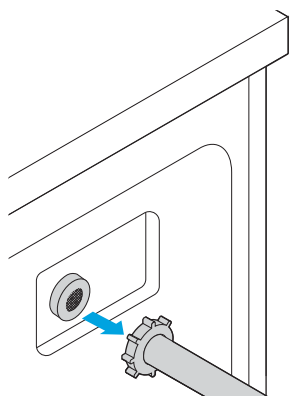
Clean the machine inlet filter

Clean the machine inlet filter every 3 months. The machine inlet filter must be cleaned if the water supply becomes restricted.

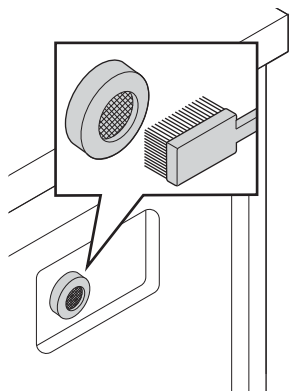
1. Turn off the tap and unscrew the inlet pipe from the rear of the machine.



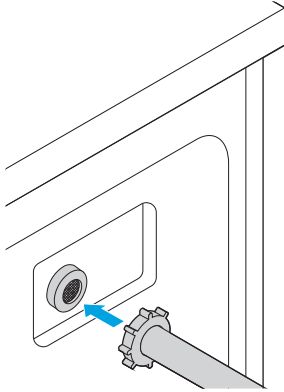
2. Remove the inlet pipe.



3. Clean the filter with a brush.



4. Refit the inlet pipe and turn on the tap.



The filter can be removed and washed separately.

Clean the drain pump filter

The drain pump filter is designed to trap fibres and small foreign objects. Clean the filter periodically to ensure the normal operation of the machine.



WARNING!

Unplug the machine before you clean the filter to avoid electrical shock.



WARNING!

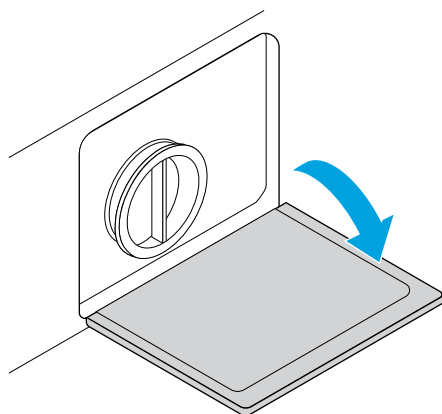
- Be careful. The water may be hot!
- Allow detergent solution to cool down before you clean the filter.



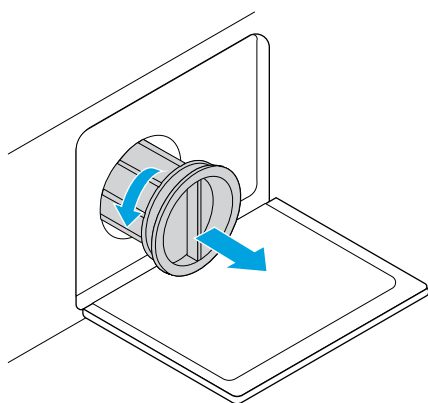
CAUTION!

Never remove the pump cover during a wash cycle. Always wait until the machine has finished the cycle, and is empty.

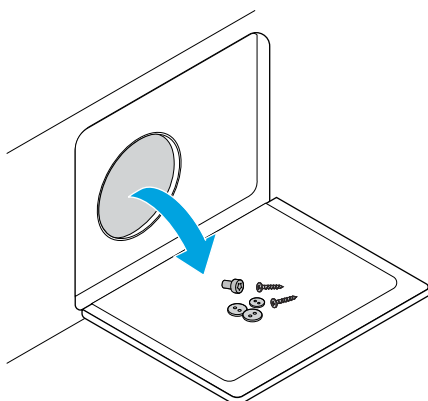
1. Open the filter cover.



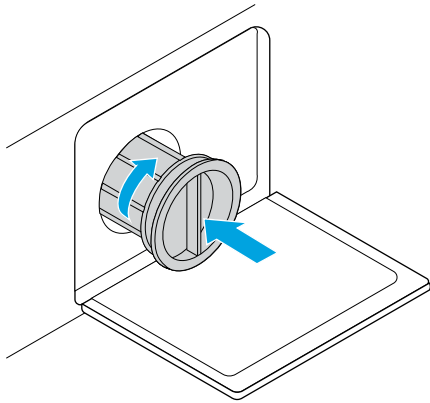
2. Rotate the filter anticlockwise and pull it out.



3. Remove any foreign objects.



4. Refit the filter and close the cover.

**CAUTION!**

Make sure the valve cap is reinstalled properly; fittings must be correctly aligned otherwise water may leak.

TROUBLESHOOTING

The machine does not start

The problem can have different causes. Follow the instructions for the suggested causes to solve the problem.

The door is not properly closed

1. Check if any laundry is stuck.
2. Close the door and try to start again.

Machine is not connected to the power supply

Connect the power cord to the power outlet.

No programme has been selected

Select a programme.

You forgot to press the Start/Pause button



Press the button.

Machine is not turned on

Turn on the machine.

Display does not come on

The problem can have different causes. Follow the instructions for the suggested causes to solve the problem.

Power supply is not working

1. Check if the power supply works.
2. If it is not in working condition contact an authorised electrician.

Main plug is not inserted

Connect main plug to power outlet.

No programme is selected

Select a programme.

Machine is not turned on

Press the On/Off button.



The door cannot be opened

The machine safety interlock is active

Disconnect the power and restart the machine.

Water is leaking

The connection between the machine and the inlet pipe or drain hose is not tight

- Check and tighten the connections.
- Clean the drain hose.

Detergent residue in the dispenser

Detergent is damp or clumped

Clean and wipe the detergent dispenser. See section "Clean the detergent dispenser", [page 23](#).

Indicator or display does not come on

Electrical connection problem

Check that the power is turned on and the plug is inserted correctly.

Abnormal noise

The problem can have different causes. Follow the instructions for the suggested causes to solve the problem.

Transport bolts have not been removed

Remove the transport bolts. See section "Remove the transport bolts", [page 37](#).

The machine is not levelled

Level the machine. See section "Level the machine", [page 39](#).

The E10 error code is displayed

Water injection problem while washing

- Check if the water pressure is too low.
- Straighten the water pipe.
- Check if the inlet valve filter is blocked.

The E12 error code is displayed

Water overflowing

Restart the machine.

The E21 error code is displayed

Water takes too long to drain

Check if the drain hose is blocked.

The E30 error code is displayed

The door does not close properly

1. Check if any clothing is stuck.
2. Close the door and try to start again.

The EXX error code is displayed

Other problem

Try again, then contact the support if the problem persists. Contact **Elvita support** if you need help with your product.

INSTALLATION

Follow the instructions in this section to install your machine.



WARNING!

- If the power cord is damaged, it must be replaced by the manufacturer, the manufacturer's service agent or similarly qualified persons in order to avoid a hazard.
- Use the new hose sets supplied with the machine. Do not reuse old hose sets.
- To ensure your safety, connect the plug to an earthed socket. Check carefully to ensure that your socket is properly and reliably earthed.
- Make sure that the machine is connected to water and electrical supplies by a suitably qualified person in accordance with the manufacturer's instructions and local safety regulations.



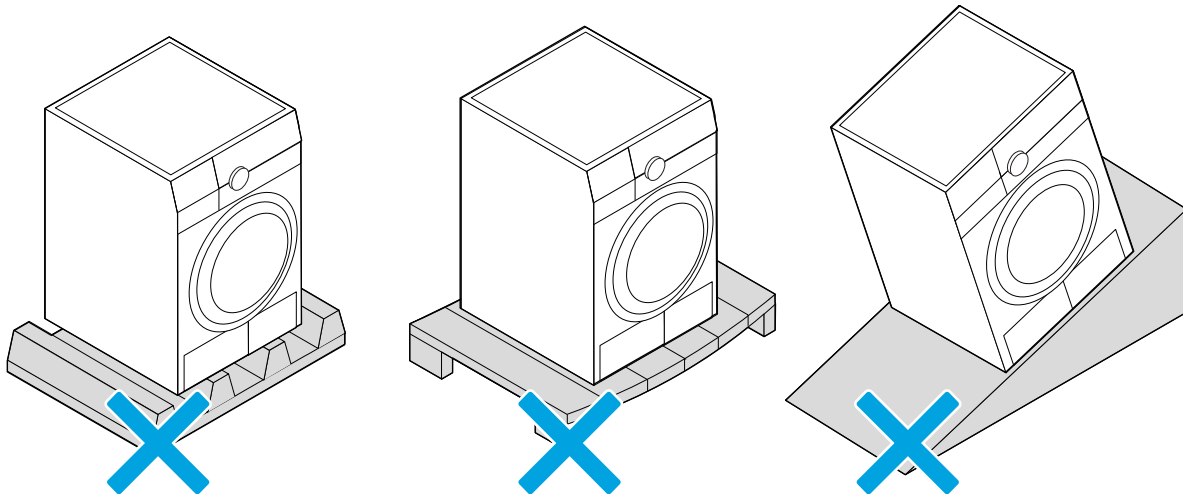
CAUTION!

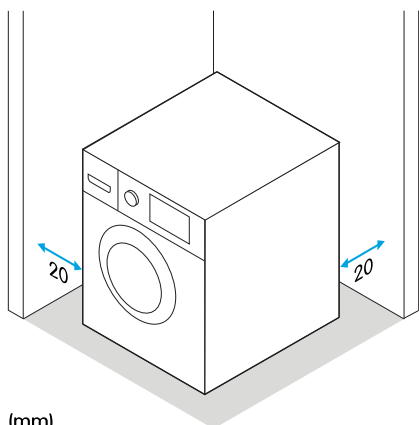
The inlet hose must be connected to the cold water supply.

Installation area

Keep the following in mind when choosing a location to install the machine:

- Avoid direct sunlight.
- Sufficient ventilation.
- Room temperature above 0 °C.
- Keep away from heat sources such as coal or gas appliances.
- The surface should be rigid, dry, and level. Stability is important to prevent the machine from wandering.





(mm)

**WARNING!**

- Make sure that the machine does not stand on the power cord.
- The plug must be accessible after installation.

**WARNING!**

The machine must not be used in very wet rooms or rooms where there is a risk of explosive or caustic gases.

**CAUTION!**

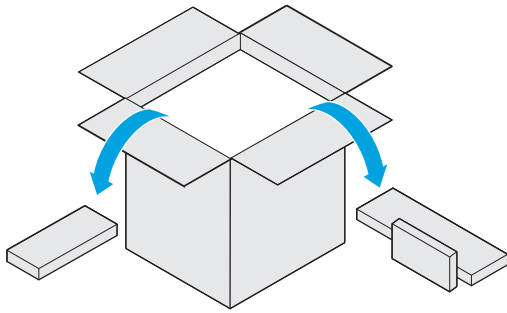
- The machine is for indoor use only.
- The machine is not intended for integration into a cabinet.
- The openings must not be obstructed by a carpet.

Unpack the machine

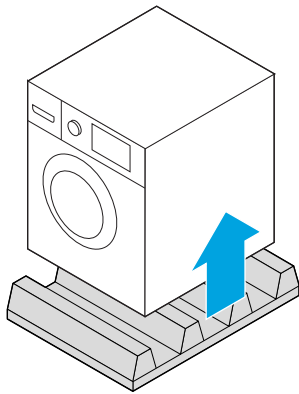
**WARNING!**

Remove all packaging and transport bolts before using the machine. Otherwise, serious damage may result.

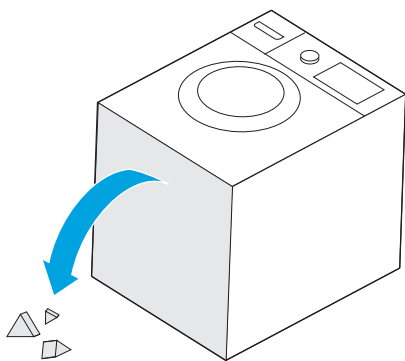
1. Remove the cardboard box and styrofoam packaging.



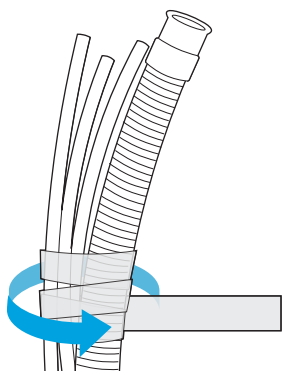
2. Lift the product and remove the base packaging.



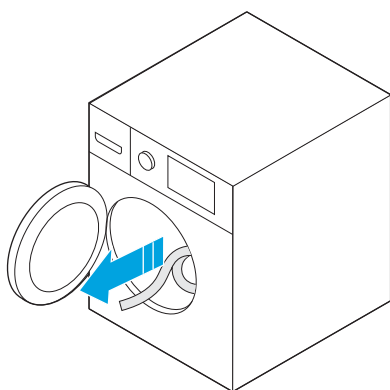
3. Lay the product down on its side and remove the small triangular pieces of foam from the bottom.



4. Remove the tape holding the power cord and drain hose.



5. Remove the accessories from the drum.

**WARNING!**

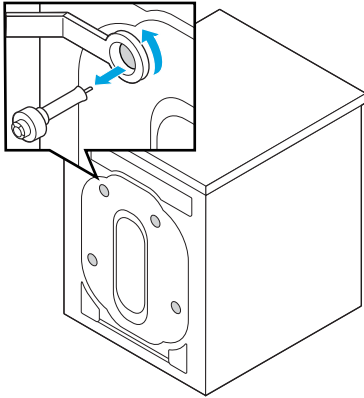
Keep all packaging material well away from children. There is a risk of suffocation!

Remove the transport bolts

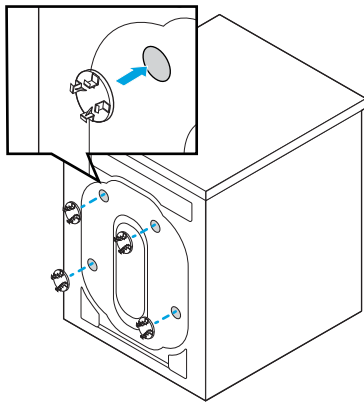
**WARNING!**

You must remove the transport bolts from the rear before using the machine.

1. Loosen the bolts with a spanner and remove them.

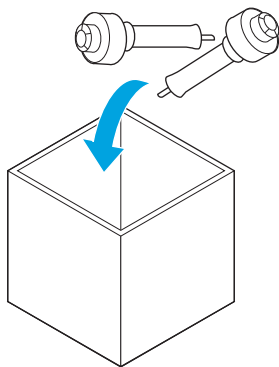


2. Plug the holes with the transport hole plugs.



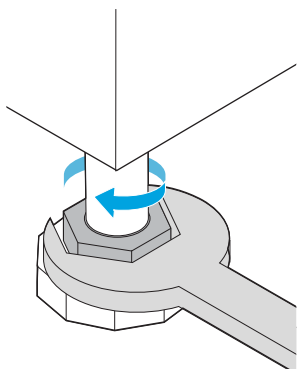
3. Keep the bolts in a safe place.

NOTE! You will need the transport bolts again if you move the machine.

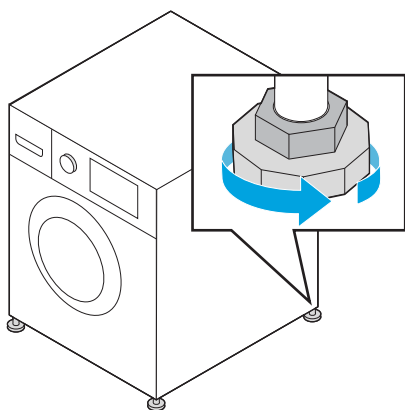


Level the machine

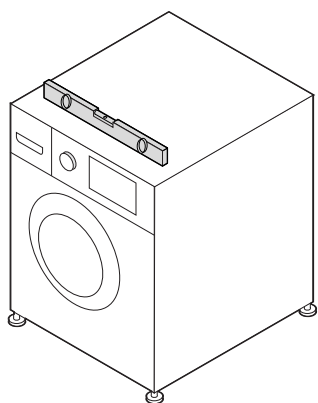
1. Loosen the nuts and screw in the feet fully.
Check if there are any feet not touching the floor.



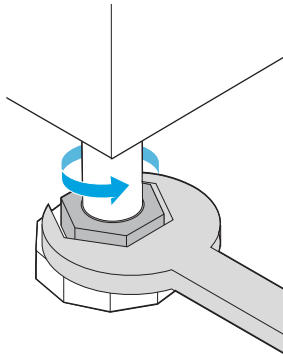
2. If any foot is not touching the floor: screw out the foot until it makes contact with the floor.



3. Use a spirit level to check if the washing machine is perfectly level and adjust the feet again if needed.

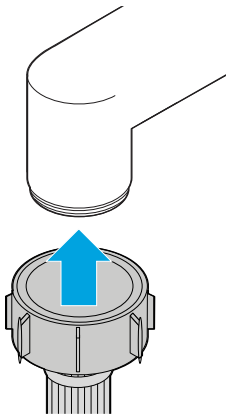


4. Tighten the nuts with a spanner and make sure that the machine is steady.
WARNING! The lock nuts on all four feet must be screwed tightly against the housing.

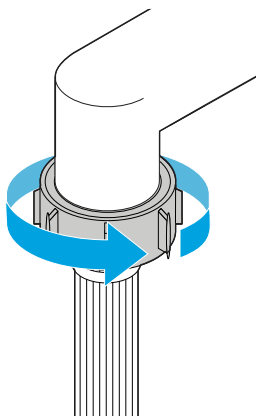


Connect the water supply hose to a tap

1. Lift up the hose to the tap.

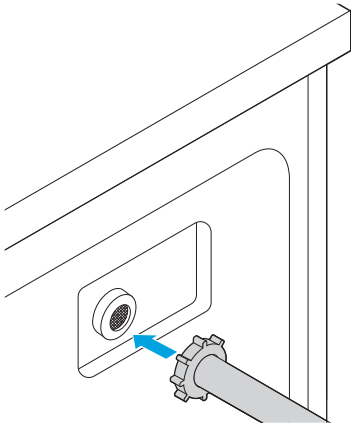


2. Screw the connector onto the threads of the tap.

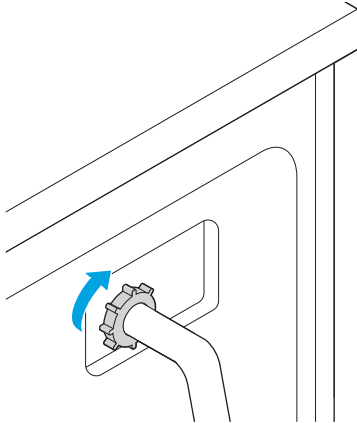


Connect the water supply hose to the machine

1. Lift the supply hose to the inlet valve at the rear of the machine.



2. Screw the coupling onto the threads of the tap until tight.



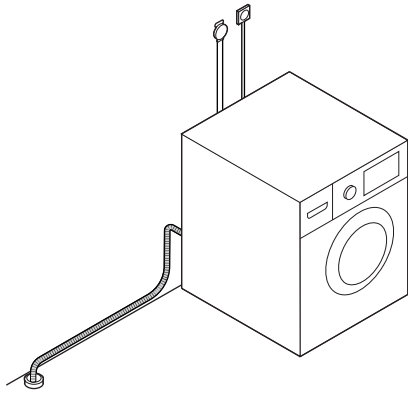
Connect to an external drain



CAUTION!

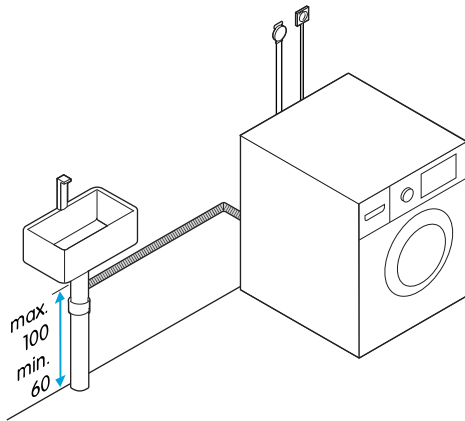
- Do not kink or stretch the drain hose.
- Position the drain hose properly, as it could lead to a water leak if it is damaged.
- Do not immerse the end of the drain hose into the waste water. Immersing the hose could hamper the drainage and cause waste water to go back into the machine again.

Position the drain hose into a floor drain



Connect the drain hose to a sink drain pipe

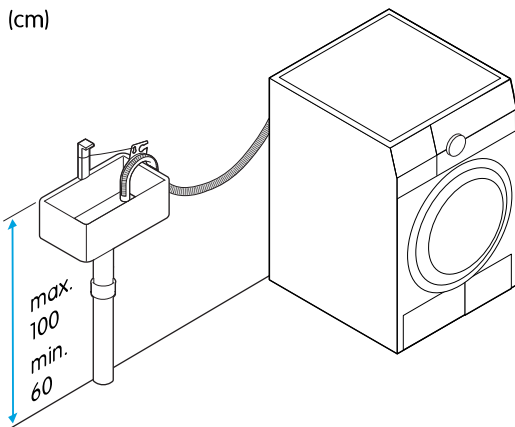
(cm)



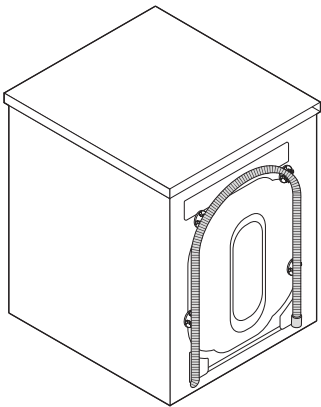
Position the drain hose into a sink

Use the drain hose holder to keep the drain hose bent downward into the sink without kinking.

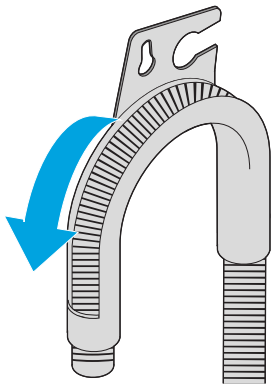
(cm)



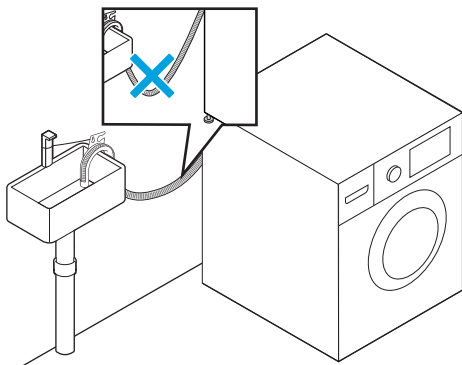
1. Remove the drain hose carefully from the clasps.



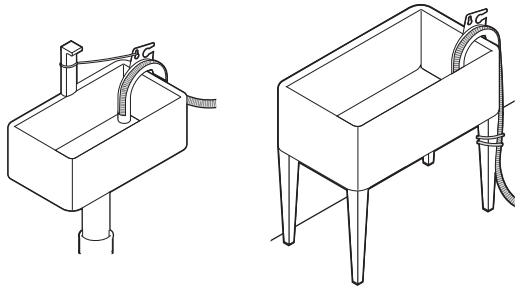
2. Insert the drain hose into the hose holder.



3. Hang the hose holder over the edge of the sink.



4. Secure the drain hose to the sink with a cord, clip or cable tie.



APPENDIX

Technical specifications


NOTE!

The value of rated capacity refers to the weight of dry laundry.

Model code	See section "Find the model code", page 11
Width	595 mm
Depth	565 mm
Height	850 mm
Weight	68 kg
Rated capacity	8 kg
Maximum spin speed	1400 rpm
Power supply	220-240 V, 50 Hz
Maximum current	10 A
Rated power	2000 W
Standard water pressure	0.05 MPa ~ 1 MPa

Energy efficiency

You can find information about the energy efficiency of this product in EPREL, the European product registry for energy labelling. Go to the EPREL website and use the model identifier to find the information. The model identifier can be found on the energy label accompanying the product.

EPREL website: <https://eprel.ec.europa.eu/>



Consumption values

Actual values for a washing cycle may differ from the values presented here. The values given for programmes other than the ECO 40-60 programme are indicative only.

Programme	Washing load at which the values were achieved (rated capacity of the specific programme unless stated otherwise) (kg)	Programme duration (hours:minutes)	Energy consumption (kWh per cycle)	Water consumption (litres per cycle)	Max. temperature reached for min. 5 minutes inside the laundry during the washing cycle (°C)	Remaining moisture content and the spin speed (rpm) at which the value was achieved
20 °C	4.0	1:01	0.183	44	20	65 % / 1000
Cotton (60 °C)	8.0	3:39	1.120	71	40	53 % / 1400
ECO 40-60	8.0 (Rated capacity)	3:38	0.857	59	34	53 % / 1400
	4.0 (Half of the rated capacity)	2:48	0.504	46	29	53 % / 1400
	2.0 (Quarter of the rated capacity)	2:48	0.240	37	21	53 % / 1400
Intensive	8.0	3:48	1.136	71	40	70 % / 800
Mix	8.0	1:20	0.754	71	40	65 % / 1000
Quick 15 min	2.0	0:15	0.030	40	15	75 % / 800

EU directives and standards

This product fulfils the applicable EU directives and regulations and carries the CE mark. If not included with the product, a copy of the EU Declaration of Conformity is available on request.

- The performance of the product has been tested in compliance with standard EN 60456 for washing machines.
- Concerning EU regulation 2019/2023, energy test program: ECO 40-60; other settings: default.

Inhalt

SICHERHEIT	50
Mahnungen.....	50
Verwendungszweck.....	50
Sicherheit für Kinder und Menschen mit Behinderungen.....	50
Allgemeine Sicherheit	51
Sicherheit bei der Installation.....	51
Sicherheit während des Betriebs	52
Sicherheit bei der Wartung	53
Entsorgung	54
SCHNELLSTART	55
Schnellstart.....	55
ERSTE SCHRITTE	56
Lernen Sie Ihre Waschmaschine kennen	56
Steuerung	56
Symbole auf der Anzeige.....	56
Waschmittelpender	56
Zubehör	57
Die Kindersicherung verwenden	57
Den Modellcode finden.....	57
Vor dem ersten Gebrauch.....	58
Die Maschine kalibrieren	58
Einen leeren Waschgang durchführen.....	58
WASCHEN	59
Vor jeder Wäsche	59
Eine Wäsche starten.....	60
Optionen, Einstellungen und Funktionen	61
Optionen, Einstellungen und Funktionen	61
Ändern des Bodenniveaus	62
Ändern der Schleuderdrehzahl	62
Die Temperatur ändern	62
Die Verzögerungsoption verwenden.....	62
Verwenden Sie die Option „Extra Spülen“	62
Verwenden Sie die Option „Vorwäsche“	62
Die Option „SpaCare“ verwenden	63
Verwenden Sie die Option „Schnellwäsche“	63
Verwenden Sie die Funktion „Mein Programm“	63
Nachladen - Wäsche während eines Waschgangs hinzufügen	63
Stummschalten und Aufheben der Stummschaltung des akustischen Signals	63
Waschprogramme.....	64
20 °C	64
Babykleidung	64

Bettwäsche	64
Baumwolle	65
Trommelreinigung	65
ECO 40-60	66
Intensiv	66
Gemischt	66
Mein Programm	67
Nur schleudern	67
Synthetisch	67
Kurz 15 Min.	67
Spülen und Schleudern	68
Wolle	68
REINIGUNG	69
Reinigen Sie die Außenseite	69
Reinigen Sie den Waschmittelspender	69
Reinigen Sie die Trommel	70
Reinigen Sie die Türdichtung und das Glas	71
Reinigen Sie den Wasserzulauffilter	71
Reinigen Sie den Maschinenzulauffilter	72
Filter der Ablaufpumpe reinigen	74
FEHLERSUCHE	77
Die Maschine startet nicht	77
Die Anzeige schaltet sich nicht ein	77
Die Tür kann nicht geöffnet werden	78
Wasser tritt aus	78
Waschmittelrückstände im Spender	78
Anzeige leuchtet nicht	78
Abnormes Geräusch	78
Der Fehlercode E10 wird angezeigt	78
Der Fehlercode E12 wird angezeigt	78
Der Fehlercode E21 wird angezeigt	79
Der Fehlercode E30 wird angezeigt	79
Der Fehlercode EXX wird angezeigt	79
INSTALLATION	80
Installationsbereich	80
Packen Sie die Maschine aus	81
Entfernen Sie die Transportschrauben	83
Nivellieren Sie die Maschine	85
Schließen Sie den Wasserzulaufschlauch an einen Wasserhahn an.	86
Schließen Sie den Wasserzulaufschlauch an die Maschine an.	87
Anschluss an einen externen Abfluss	87
Führen Sie den Ablaufschlauch in einen Bodenablauf ein.	88
Schließen Sie den Ablaufschlauch an ein Ablaufrohr des Waschbeckens an.	88

Führen Sie den Ablaufschlauch in ein Waschbecken ein.....	88
ANHANG	91
Technische Spezifikationen	91
Verbrauchswerte	91
EU-Richtlinien und Normen	92

SICHERHEIT

Lesen Sie die Anweisungen sorgfältig durch, bevor Sie das Produkt installieren und verwenden. Bewahren Sie die Anleitung auf und bewahren Sie sie in der Nähe des Produkts auf. Bei Nichteinhaltung dieser Anweisungen erlischt jede Art von Garantie.

Mahnungen

**WARNUNG!**

Wird verwendet, wenn die Gefahr von Personenschäden besteht.

**VORSICHT!**

Wird verwendet, wenn die Gefahr einer Beschädigung des Produkts besteht.

**HINWEIS!**

Allgemeine Informationen, die Sie beachten sollten.



Hilfreiche Tipps, die Sie vielleicht nützlich finden.

Verwendungszweck

Dieses Produkt ist nur für folgende Zwecke bestimmt:

- Verwendung in Innenräumen in einem Haushalt oder einer häuslichen Umgebung wie z. B.:
 - Küchenbereiche für Mitarbeiter in Geschäften, Büros und anderen Arbeitsumgebungen;
 - Einfamilienhäuser;
 - Kunden in Hotels, Motels und anderen Wohnumgebungen;
 - Bed & Breakfast-ähnliche Umgebungen.
- Das Waschen von maschinenwaschbaren Kleidungsstücken und Textilien mit einem Waschmittel.
- Waschen mit handelsüblichen schaumarmen Wasch- und Pflegemitteln, die für die Verwendung in einer Frontlader-Waschmaschine oder einem Trockner geeignet sind.

Dieses Produkt ist nicht für den Einbau in einen Schrank vorgesehen.

Sicherheit für Kinder und Menschen mit Behinderungen

**WARNUNG!**

Lassen Sie die folgenden Gruppen das Produkt nur verwenden, wenn sie beaufsichtigt werden oder wenn ihnen Anweisungen zur sicheren Verwendung des Produkts gegeben werden. Sie müssen die damit verbundenen Gefahren verstehen.

- Kinder. (Kinder, die jünger als 8 Jahre alt sind, müssen ständig beaufsichtigt werden).
- Menschen mit eingeschränkten körperlichen, sensorischen oder geistigen Fähigkeiten.
- Menschen, denen es an Erfahrung und Wissen mangelt.

**WARNUNG!**

- Lassen Sie Kinder nicht mit dem Produkt spielen.
- Lassen Sie Kinder das Produkt nicht unbeaufsichtigt reinigen.

**WARNUNG!**

Es besteht die Gefahr, dass Tiere und Kinder in das Produkt klettern können. Prüfen Sie das Innere vor jedem Einsatz.

**WARNUNG!**

Die Glastür kann während des Betriebs sehr heiß werden. Halten Sie Kinder und Haustiere während des Betriebs vom Gerät fern.

Allgemeine Sicherheit

**WARNUNG!**

- Waschen oder trocknen Sie keine Gegenstände, die mit brennbaren oder explosiven Stoffen wie Wachs, Öl, Farbe, Benzin, Entfettungsmitteln, chemischen Reinigungsmitteln, Kerosin usw. gereinigt, gewaschen, getränkt oder getupft wurden. Dies kann zu einem Brand oder einer Explosion führen.
- Spülen Sie solche Wäschestücke vor dem Waschen gründlich mit der Hand aus.

**WARNUNG!**

Stromschlaggefahr!

- Wenn das Netzkabel beschädigt ist, muss es durch den Hersteller, seinen Kundendienst oder ähnlich qualifizierte Personen ersetzt werden, um Gefahren zu vermeiden.
- Wenn die Maschine beschädigt ist, darf sie nicht in Betrieb genommen werden, es sei denn, sie wird vom Hersteller, seinem Kundendienst oder ähnlich qualifizierten Personen repariert.
- Ziehen Sie vor jeder Wäsche oder Wartung des Geräts den Netzstecker aus der Steckdose.
- Verwenden Sie keine Steckdose mit einer geringeren Nennstromstärke als die des Produkts.
- Ziehen Sie den Netzstecker niemals mit nassen Händen aus der Steckdose.

**VORSICHT!**

- Klettern Sie nicht auf das Produkt und setzen Sie sich nicht darauf.
- Lehnen Sie sich nicht gegen die Tür des Geräts.
- Schließen Sie die Tür nicht mit übermäßiger Kraft. Wenn Sie Schwierigkeiten haben, die Tür zu schließen, vergewissern Sie sich, dass sie nicht durch Wäsche verdeckt ist.
- Waschen Sie keine Teppiche in dem Produkt.

**VORSICHT!**

Beim Transport des Produkts:

- Die Transportschrauben müssen von einer entsprechend qualifizierten Person wieder in die Maschine eingebaut werden.
- Das im Produkt enthaltene Wasser muss aus der Maschine abgelassen werden.
- Behandeln Sie das Produkt sorgfältig. Halten Sie beim Heben niemals hervorstehende Teile der Maschine fest.
- Verwenden Sie die Tür des Geräts nicht, um es während des Transports anzuheben.
- Dieses Produkt ist schwer. Vorsichtig transportieren.

Sicherheit bei der Installation

**WARNUNG!**

Überprüfen Sie das Produkt vor der Installation auf äußerlich sichtbare Schäden. Installieren oder verwenden Sie kein beschädigtes Produkt.

**WARNUNG!**

Installieren Sie das Gerät nicht

- in einem Badezimmer in einer Situation, in der die Gefahr eines direkten Kontakts mit Wasser besteht, z. B. Wasserstrahl aus einer Dusche, Wasser aus einer Badewanne, oder in einem sehr feuchten Raum oder einem Raum mit hoher Luftfeuchtigkeit;
- in einem Raum mit explosiven oder ätzenden Gasen; oder
- hinter einer abschließbaren Tür, einer Schiebetür oder einer Tür mit einem Scharnier auf der dem Produkt gegenüberliegenden Seite.

**WARNUNG!**

Es muss für eine ausreichende Belüftung gesorgt werden, um den Rückfluss von Gasen in den Raum zu vermeiden, die von Geräten stammen, die andere Brennstoffe verbrennen, einschließlich offener Kamine.

**WARNUNG!**

- Entfernen Sie alle Verpackungs- und Transportschrauben, bevor Sie das Produkt verwenden. Andernfalls kann es zu schweren Schäden kommen.
- Halten Sie das gesamte Verpackungsmaterial von Kindern fern. Es besteht Erstickungsgefahr!

**WARNUNG!**

- Vergewissern Sie sich, dass das Gerät gemäß den Anweisungen des Herstellers und den örtlichen Sicherheitsvorschriften von einer entsprechend qualifizierten Person an die Wasser- und Stromversorgung angeschlossen wird.
- Wenn das Stromkabel beschädigt ist, muss es durch den Hersteller, den Kundendienst des Herstellers oder ähnlich qualifizierte Personen ersetzt werden, um Gefahren zu vermeiden.
- Achten Sie darauf, dass Sie den Netzstecker an eine geerdete dreipolige Steckdose anschließen. Prüfen Sie sorgfältig, ob Ihre Steckdose richtig und zuverlässig geerdet ist.
- Vergewissern Sie sich, dass der Netzstecker des Geräts nach der Installation zugänglich ist und dass die Maschine nicht auf dem Netzkabel steht.
- Beim Nivellieren der Maschine müssen die Kontermuttern an allen vier Füßen fest gegen das Gehäuse geschraubt werden.
- Vergewissern Sie sich gegebenenfalls, dass die Lüftungsöffnungen im Boden des Geräts nicht durch z. B. einen Teppich verdeckt werden.
- Verwenden Sie die mit dem Produkt gelieferten neuen Schlauchsätze. Alte Schlauchsätze nicht wiederverwenden.

**VORSICHT!**

- Der Zulaufschlauch muss an die Kaltwasserleitung angeschlossen werden.
- Der Wasserzulaufschlauch darf nicht geknickt, gequetscht, verändert oder durchtrennt werden.
- Knicken oder dehnen Sie den Abflussschlauch nicht.
- Bringen Sie den Abflussschlauch richtig an, da er bei Beschädigung zu einem Wasseraustritt führen kann.
- Wenn der Abflussschlauch zu lang ist, darf er nicht mit Gewalt in die Maschine eingeführt werden, da er sonst ungewöhnliche Geräusche verursacht.

**VORSICHT!**

- Vor dem ersten Gebrauch muss das Gerät kalibriert werden.
- Vor dem ersten Waschen von Wäschestücken muss ein Waschprogramm ohne Wäschestücke in der Trommel zu Ende geführt werden.

Sicherheit während des Betriebs

**WARNUNG!**

- Entflammbare, explosive oder giftige Lösungsmittel sind verboten. Benzin, Alkohol usw. dürfen nicht als Waschmittel verwendet werden. Verwenden Sie nur Waschmittel, die für die Maschinenwäsche geeignet sind.

**WARNUNG!**

- Ziehen Sie nach dem Gebrauch immer den Stecker aus der Steckdose und stellen Sie die Wasserversorgung ab.

**WARNUNG!**

- Achten Sie darauf, dass Sie sich nicht verbrühen, wenn Sie das heiße Wasser aus dem Gerät ablassen.
- Wenn das Gerät über eine Funktion verfügt, mit der Sie ein Waschprogramm unterbrechen und weitere Wäsche hinzufügen können, verwenden Sie diese Funktion nicht, wenn der Wasserstand über dem Rand der Innentrommel liegt oder die Temperatur hoch eingestellt ist.
- Wenn sich die Trommel noch dreht und sich eine große Menge heißes Wasser in der Trommel befindet, ist es unsicher, die Tür zu öffnen, und die Tür kann nicht mit Gewalt geöffnet werden.
- Füllen Sie beim Waschen niemals Wasser von Hand nach.

**VORSICHT!**

- Nach Beendigung eines Waschprogramms:
 - zwei Minuten warten, bevor sie die Tür öffnen, und
 - prüfen Sie vor dem Öffnen der Tür, ob das Wasser aus der Trommel abgelassen wurde. Öffnen Sie die Tür nicht, wenn Wasser sichtbar ist.

**VORSICHT!**

- Weichspüler oder ähnliche Produkte sollten entsprechend der Gebrauchsanweisung des Weichspülers verwendet werden.
- Scharfe und starre Gegenstände wie Münzen, Broschen, Nägel, Schrauben, Steine usw. können das Gerät schwer beschädigen. Stellen Sie sicher, dass alle Taschen geleert sind.

**VORSICHT!**

- Vor dem ersten Gebrauch muss das Gerät kalibriert werden.
- Vor dem ersten Waschen von Wäschestücken muss ein Waschprogramm ohne Wäschestücke in der Trommel zu Ende geführt werden.

Sicherheit bei der Wartung

**WARNUNG!**

- Reparaturen dürfen nur von autorisierten Technikern durchgeführt werden.
- Wenn Sie Probleme mit dem Produkt haben, die Sie mit den Informationen zur Fehlersuche im vollständigen Handbuch nicht lösen können, schalten Sie das Produkt aus, trennen Sie es von der Stromversorgung, stellen Sie die Wasserversorgung ab und wenden Sie sich an unseren Kundendienst.

**WARNUNG!**

Schalten Sie die Strom- und Wasserversorgung zum Gerät ab, bevor Sie Wartungsarbeiten durchführen.

**WARNUNG!**

Während des Betriebs kann sich heißes Wasser in der Ablaufpumpe befinden. Nehmen Sie den Pumpendeckel niemals während eines Waschgangs ab, sondern warten Sie immer, bis das Produkt den Waschgang beendet hat und das gesamte Wasser abgelassen wurde.

**VORSICHT!**

- Verwenden Sie keine Lösungsmittel, Alkohol, Ameisensäurehaltige Produkte, Scheuermittel, Glasreiniger oder Allzweckreiniger zur Reinigung dieses Produkts. Kunststoffoberflächen und andere Teile können beschädigt werden.
- Tragen Sie bei der Reinigung des Produkts Handschuhe.
- Es besteht die Gefahr, dass Wasser austritt, wenn der Pumpendeckel nach der Reinigung des Filters der Ablaufpumpe nicht ordnungsgemäß wieder angebracht wird.

Entsorgung



Entsorgen Sie die Verpackung auf umweltfreundliche Weise. Die Wiederverwertung von Verpackungen unter Beachtung der nationalen und lokalen Vorschriften kann den Verbrauch von Rohstoffen und die Abfallmenge auf den Deponien verringern.

Dieses Produkt ist in Übereinstimmung mit der Europäischen Richtlinie 2012/19/EU, Elektro- und Elektronik-Altgeräte (WEEE), gekennzeichnet. Das Symbol auf dem Produkt oder auf der Verpackung weist darauf hin, dass dieses Produkt nicht als Haushaltsabfall behandelt werden darf. Stattdessen sind sie bei der zuständigen Sammelstelle für das Recycling von Elektro- und Elektronikgeräten abzugeben.

Indem Sie sicherstellen, dass dieses Produkt ordnungsgemäß entsorgt wird, tragen Sie dazu bei, mögliche negative Folgen für die Umwelt und die menschliche Gesundheit zu vermeiden, die andernfalls durch eine unsachgemäße Abfallentsorgung dieses Produkts verursacht werden könnten. Nähere Informationen über das Recycling dieses Produkts erhalten Sie bei der zuständigen kommunalen Behörde für Abfallwirtschaft, bei Ihrem Hausmüllentsorgungsdienst oder in dem Geschäft, in dem Sie das Produkt gekauft haben.

SCHNELLSTART

Schnellstart

Vor jeder Wäsche

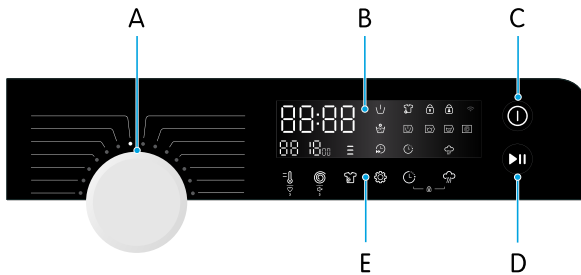
Waschen

Nach dem Waschen

ERSTE SCHRITTE

Lernen Sie Ihre Waschmaschine kennen

Steuerung



- A. Programmauswahl
- B. Anzeige
- C. Ein/Aus
- D. Start/Pause
- E. Optionen, Einstellungen und Funktionen

Symbole auf der Anzeige



Vorwäsche



Nachladen



Türsperre



Kindersicherung



Extra Spülen



Zyklusphase:
Vorwäsche



Zyklusphase:
Waschen



Zyklusphase: Spülen



Zyklusphase:
Schleudern



Schnellwäsche

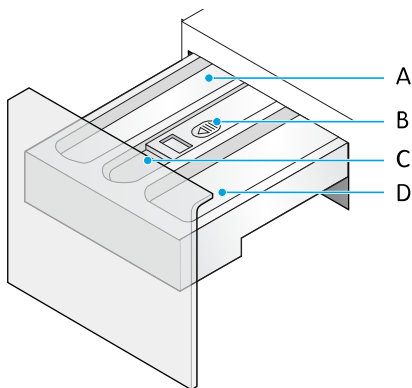


Verzögerung



SpaCare

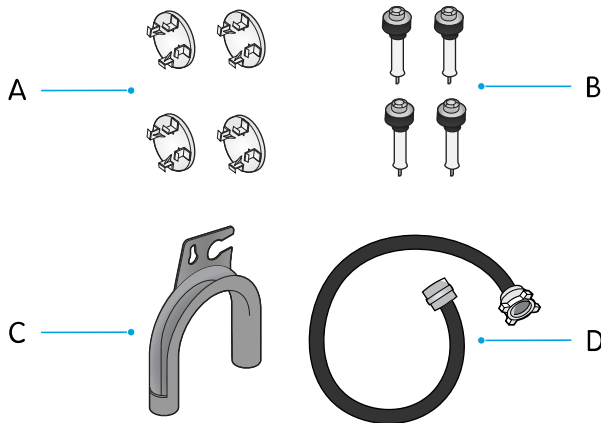
Waschmittelspender



- A. Hauptwaschmittel
- B. Waschmittelsperre (nach unten drücken, um den Spender zu entfernen)
- C. Weichspüler
- D. Vorwaschmittel

**WARNUNG!**

Entflammare und explosive oder giftige Lösungsmittel sind verboten. Benzin, Alkohol usw. dürfen nicht als Waschmittel verwendet werden. Verwenden Sie nur Waschmittel, die für die Maschinenwäsche geeignet sind.

Zubehör

- A. Transportlochstopfen
- B. Transportschrauben
- C. Halter für den Abflussschlauch
- D. Wasserzufuhrschlauch

Transportlochstopfen

Zum Verschließen der Löcher, nachdem die Transportschrauben entfernt worden sind.

Transportschrauben

Zur Sicherung der Maschine beim Transport.

Halter für den Abflussschlauch

Zur Sicherung des Schlauchs und zur Vermeidung von Knicken, z. B. wenn der Schlauch über den Rand eines Waschbeckens gelegt wird.

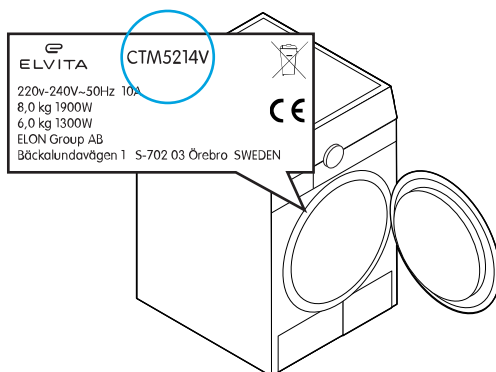
Wasserzufuhrschlauch

Für den Anschluss des Geräts an die Wasserversorgung.

Die Kindersicherung verwenden

Aktivieren Sie die Kindersicherung, um eine versehentliche Bedienung durch Kinder zu verhindern.

1. Drücken und halten Sie und 3 Sekunden lang gedrückt, bis ein akustisches Signal ertönt. Alle Tasten außer sind jetzt gesperrt.
2. Drücken und halten Sie und 3 Sekunden lang gedrückt, um die Kindersicherung zu deaktivieren.
HINWEIS! Durch Aus- und Einschalten des Geräts wird die Kindersicherung nicht deaktiviert.

Den Modellcode finden





Der Modellcode steht auf einem Etikett an dem Produkt. Sie benötigen den Code, um die vollständigen und aktuellen Informationen, den Service und den Support für Ihr Produktmodell zu finden.

**HINWEIS!**

Dieses Produkt und der Etikettentext sind Beispiele. Ihr Produkt und Ihr Text können ein anderes Aussehen und einen anderen Inhalt haben.

Vor dem ersten Gebrauch

Die Maschine kalibrieren

1. Vergewissern Sie sich, dass die Maschine leer ist.
2. Schließen Sie das Netzkabel an.
3. Drücken Sie , um die Maschine einzuschalten.
4. Halten Sie innerhalb von 10 Sekunden nach dem Einschalten der Maschine  und  gedrückt, bis **t19** angezeigt wird.
5. Drücken Sie .
HINWEIS! Die Kalibrierung ist abgeschlossen, wenn sich die Trommel nicht mehr dreht und die Ziffern angezeigt werden.

Einen leeren Waschgang durchführen

Stellen Sie sicher, dass das Gerät ordnungsgemäß installiert und kalibriert ist.

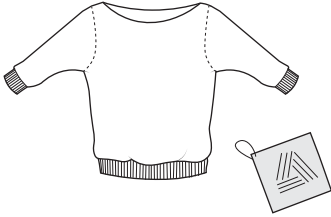
1. Schließen Sie das Netzkabel an.
2. Öffnen Sie den Wasserhahn.
3. Starten Sie ein Waschprogramm.
HINWEIS! Geben Sie keine Kleidungsstücke in die Maschine.

Nach Beendigung des Programms ist das Gerät betriebsbereit.

WASCHEN

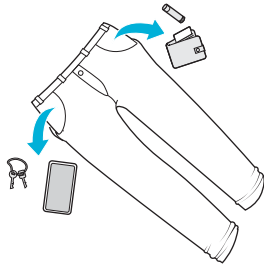
Vor jeder Wäsche

1. Überprüfen Sie die Pflegeetiketten der Kleidung.

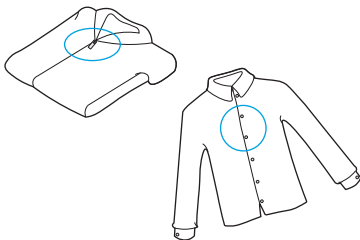


2. Entfernen Sie alle Gegenstände aus den Taschen.

VORSICHT! Scharfe und starre Gegenstände wie Münzen, Broschen, Nägel, Schrauben, Steine usw. können die Waschmaschine schwer beschädigen.



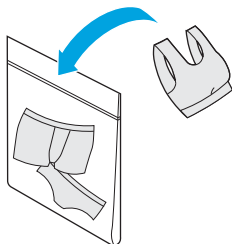
3. Binden Sie eventuelle Gürtel zu und schließen Sie Reißverschlüsse oder Knöpfe.



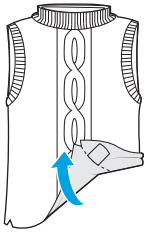
4. Legen Sie kleine Gegenstände in einen Wäschebeutel.



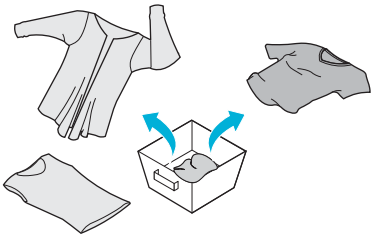
Sie können auch einen Kopfkissenbezug verwenden.



5. Wenden Sie leicht fuselnde und langfaserige Stoffe von innen nach außen



6. Trennen Sie die Kleidung nach Stoffart.



Eine Wäsche starten



VORSICHT!

Vergewissern Sie sich vor dem Waschen, dass die Maschine richtig installiert ist.



HINWEIS!

Sparen Sie Energie und Wasser.

- Volle Waschladungen sparen Energie und Wasser. Die maximale Kapazität hängt vom jeweiligen Programm ab.
- Im Allgemeinen verbraucht ein Programm, das bei niedrigerer Temperatur und längerer Dauer abläuft, weniger Energie.

1. Drücken Sie **⏻**, um den Strom einzuschalten.
2. Füllen Sie Kleidung ein.
3. Drehen Sie den Programmwahlschalter, um ein Programm auszuwählen.
4. Wählen Sie bei Bedarf „Einstellungen und Optionen“ aus.
5. Füllen Sie bei Bedarf Waschmittel und Weichspüler in den Waschmittelspender.
HINWEIS! Achten Sie darauf, dass Sie ein Waschmittel verwenden, das für die zu waschende Wäsche und das gewählte Waschprogramm und die Temperatur geeignet ist.
6. Drücken Sie **▶**, um das Programm zu starten.

Wenn der Waschvorgang abgeschlossen ist, ertönt ein akustisches Signal und **End** wird angezeigt.



WARNUNG!

- Füllen Sie beim Waschen niemals Wasser von Hand nach.
- Warten Sie nach Beendigung des Programms zwei Minuten, bevor Sie die Tür öffnen.
- Prüfen Sie vor dem Öffnen der Tür, ob das Wasser aus der Trommel abgelassen wurde. Öffnen Sie die Tür nicht, wenn Wasser sichtbar ist.
- Achten Sie darauf, dass Sie sich nicht verbrühen, wenn Sie das heiße Wasser aus der Maschine ablassen.

Optionen, Einstellungen und Funktionen

Optionen, Einstellungen und Funktionen

Kindersicherung



Verhindert die versehentliche Benutzung des Geräts. Siehe Abschnitt "Die Kindersicherung verwenden", [Seite 57](#).

Verzögerung



Verzögert den Start des Waschprogramms um eine bestimmte Zeitspanne.

Extra Spülen, Vorwäsche, Schnellwäsche



- Extra Spülen: Gibt der Wäsche eine zusätzliche Spülung.
- Vorwäsche: Die Wäsche wird im Hauptwaschgang zusätzlich gewaschen. Dadurch wird der Schmutz an die Oberfläche der Kleidung gebracht.
- Schnellwäsche: Verringert die Waschzeit.

Nachladen



Wäsche während eines Waschgangs hinzufügen.

Bodenniveau



Legt ein Bodenniveau fest. Die Waschzeit verlängert sich bei höheren Werten.

SpaCare



Behandelt die Wäsche mit Dampf für eine bessere Waschleistung.

Schleudergeschwindigkeit, Stummschaltung / Aufhebung der Stummschaltung




- Schleuderdrehzahl: Stellt die Schleuderdrehzahl ein.
- Stummschaltung / Aufhebung der Stummschaltung: Stummschalten und Aufheben der Stummschaltung des akustischen Signals.

Temperatur, Mein Zyklus



- Temperatur: Stellt die Temperatur ein.
- Mein Programm: Speichert Ihre bevorzugte Kombination von Waschprogrammen und Optionen.

Ändern des Bodenniveaus

1. Berühren Sie , um die verfügbaren Stufen von leicht bis stark verschmutzt zu durchlaufen: (, , )



HINWEIS!

Ein höherer Verschmutzungsgrad verlängert die Waschzeit, was auf der Anzeige erscheint.

Ändern der Schleuderdrehzahl

1. Halten Sie , um durch die verfügbaren Geschwindigkeiten zu blättern: (0, 400, 600, 800, 1000, 1200, 1400)



HINWEIS!


Wenn die Schleuderdrehzahlanzeige nicht leuchtet, ist die Schleuderdrehzahl 0.





HINWEIS!

Höhere Schleuderdrehzahlen verursachen mehr Lärm und einen geringeren Restfeuchtigkeitsgehalt.


Die Temperatur ändern

1. Drehen Sie den Programmwahlschalter, um ein Programm auszuwählen.
2. Berühren Sie , um durch die verfügbaren Temperaturen zu blättern: (Kalt, 20 °C, 30 °C, 40 °C, 60 °C, 90 °C)






Die Verzögerungsoption verwenden

1. Drehen Sie den Programmwahlschalter, um ein Programm auszuwählen.
2. Ändern Sie bei Bedarf die Einstellungen und wählen Sie Optionen aus.
3. Berühren Sie , um durch die verfügbaren Verzögerungszeiten zu blättern:
4. Berühren Sie .
Der Waschgang beginnt nach Ablauf der Verzögerungszeit.



Sie können den Verzögerungstimer abbrechen, indem Sie  berühren, um die verfügbaren Verzögerungszeiten zu durchlaufen, bis auf der Anzeige 0H erscheint.

Verwenden Sie die Option „Extra Spülen“






1. Drehen Sie den Programmwahlschalter, um ein Programm auszuwählen.
2. Berühren Sie , um die verfügbaren Optionen zu durchlaufen, bis  angezeigt wird.
HINWEIS! Die Option Extra Spülen kann zusammen mit der Option Vorwäsche verwendet werden. Blättern Sie durch die Optionen, bis sowohl  als auch  angezeigt werden.
3. Drücken Sie .

Verwenden Sie die Option „Vorwäsche“



HINWEIS!

Wenn Sie diese Option wählen, müssen Sie Vorwaschmittel hinzufügen. Siehe Abschnitt "Waschmittelspender", Seite 56.

1. Drehen Sie den Programmwahlschalter, um ein Programm auszuwählen.
2. Berühren Sie , um die verfügbaren Optionen zu durchlaufen, bis  angezeigt wird.
HINWEIS! Die Option Vorwäsche kann zusammen mit der Option Extra Spülen verwendet werden. Blättern Sie durch die Optionen, bis sowohl  als auch  angezeigt werden.
3. Drücken Sie .



Die Option „SpaCare“ verwenden

Diese Option ist verfügbar bei den Programmen Baumwolle, Babykleidung, Bettwäsche und Gemischt.


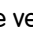



HINWEIS!

SpaCare verwendet Dampf, um das Waschergebnis zu verbessern. Zu Beginn des Waschgangs wird das Wasser auf bis zu 70 °C erhitzt, um Dampf in der Trommel zu erzeugen.


1. Drehen Sie den Programmwahlschalter, um ein Programm auszuwählen.
2. Berühren Sie .
3. Drücken Sie .


Verwenden Sie die Option „Schnellwäsche“

1. Drehen Sie den Programmwahlschalter, um ein Programm auszuwählen.
2. Berühren Sie , um die verfügbaren Optionen zu durchlaufen, bis  angezeigt wird.
3. Drücken Sie .

Verwenden Sie die Funktion „Mein Programm“

Sie können ein häufig verwendetes Programm für den schnellen Zugriff speichern. Das Standardprogramm ist Baumwolle.

1. Wählen Sie ein Programm und die gewünschten Einstellungen und Optionen aus.
2. Berühren und halten Sie  3 Sekunden lang, um das aktuelle Programm und die Einstellungen in den Speicher zu übernehmen.

Ihr Programm und Ihre Einstellungen sind nun gespeichert und können verwendet werden, indem Sie den Programmwahlschalter auf **Mein Programm** .




Nachladen - Wäsche während eines Waschgangs hinzufügen

Sie können mehr Wäsche zu einem Waschgang hinzufügen, indem Sie das Programm zunächst unterbrechen.



WARNUNG!

Verwenden Sie diese Funktion nicht, wenn der Wasserstand über dem Rand der inneren Trommel liegt oder die Temperatur hoch eingestellt ist.



1. Drücken und halten Sie  3 Sekunden lang.
 wird angezeigt.
2. Warten Sie, bis sich die Trommel nicht mehr dreht und die Tür entriegelt wird.
WARNUNG! Wenn sich die Trommel noch dreht und sich eine große Menge heißes Wasser in der Trommel befindet, ist es unsicher, die Tür zu öffnen, und die Tür kann nicht mit Gewalt geöffnet werden.
3. Fügen Sie die Wäsche hinzu und schließen Sie die Tür.
4. Drücken Sie , um den Waschvorgang fortzusetzen.

Stummschalten und Aufheben der Stummschaltung des akustischen Signals



HINWEIS!

Das akustische Signal ertönt nicht, wenn es stummgeschaltet ist.

1. Berühren und halten Sie  3 Sekunden lang, um das akustische Signal stummzuschalten.
2. Berühren und halten Sie  3 Sekunden lang, um die Stummschaltung des akustischen Signals aufzuheben.

Die Einstellung wird bis zur nächsten Rückstellung gespeichert.

Waschprogramme

20 °C

20 °C als Standardtemperatur. Es kann auch kaltes Wasser gewählt werden.

Standardtemperatur	20 °C
Standardzeit	1:01
Standardgeschwindigkeit	1000 U/min
Maximale Ladung, Waschen	8,0 kg
Vorwaschmittel	-
Hauptwaschmittel	Wesentlich
Weichspüler	Optional
Optionen	<ul style="list-style-type: none"> • Verzögerung • Extra Spülen

Babykleidung

Hält die Waschtemperatur über 60 °C für mehr als 30 Minuten, um schädliche Bakterien zu entfernen.

Standardtemperatur	60 °C
Standardzeit	1:42
Standardgeschwindigkeit	800 U/min
Maximale Ladung, Waschen	8,0 kg
Vorwaschmittel	Optional
Hauptwaschmittel	Wesentlich
Weichspüler	Optional
Optionen	<ul style="list-style-type: none"> • Verzögerung • Extra Spülen • Vorwäsche • Bodenniveau • SpaCare • Schnellwäsche

Bettwäsche

Für Bettwäsche, Bettlaken oder andere große Gegenstände.

Standardtemperatur	40 °C
Standardzeit	1:48
Standardgeschwindigkeit	1000 U/min

Maximale Ladung, Waschen	8,0 kg
Vorwaschmittel	Optional
Hauptwaschmittel	Wesentlich
Weichspüler	Optional
Optionen	<ul style="list-style-type: none"> • Verzögerung • Extra Spülen • Vorwäsche • Bodenniveau • SpaCare • Schnellwäsche

Baumwolle

Für strapazierfähige, hitzebeständige Textilien aus Baumwolle oder Leinen.

Standardtemperatur	40 °C
Standardzeit	3:39
Standardgeschwindigkeit	1400 U/min
Maximale Ladung, Waschen	8,0 kg
Vorwaschmittel	Optional
Hauptwaschmittel	Wesentlich
Weichspüler	Optional
Optionen	<ul style="list-style-type: none"> • Verzögerung • Extra Spülen • Vorwäsche • Bodenniveau • SpaCare • Schnellwäsche

Trommelreinigung

Reinigt die Trommel der Maschine bei 90 °C. Nicht für die Wäsche zu verwenden.



Um die Reinigungswirkung zu verstärken, können Sie ein Chlorbleichmittel verwenden, das für Waschmaschinen bestimmt ist. Befolgen Sie die Anweisungen, die dem Bleichmittel beiliegen.

Standardtemperatur	90 °C
Standardzeit	1:18
Standardgeschwindigkeit	-
Maximale Ladung, Waschen	-
Vorwaschmittel	-
Hauptwaschmittel	-
Weichspüler	-
Optionen	<ul style="list-style-type: none"> • Verzögerung

ECO 40-60

Empfohlen für normal verschmutzte Baumwollwäsche.



HINWEIS!

Mit diesem Programm können Sie Wäsche, die als 40 °C- oder 60 °C-Wäsche gilt, in einem Durchgang im selben Programm waschen.

Standardtemperatur	40 °C
Standardzeit	3:32
Standardgeschwindigkeit	1400 U/min
Maximale Ladung, Waschen	8,0 kg
Vorwaschmittel	-
Hauptwaschmittel	Wesentlich
Weichspüler	Optional
Optionen	<ul style="list-style-type: none"> • Verzögerung

Intensiv

Die Waschzeit wird für eine bessere Waschwirkung verlängert.

Standardtemperatur	40 °C
Standardzeit	3:48
Standardgeschwindigkeit	800 U/min
Maximale Ladung, Waschen	8,0 kg
Vorwaschmittel	-
Hauptwaschmittel	Wesentlich
Weichspüler	Optional
Optionen	<ul style="list-style-type: none"> • Verzögerung

Gemischt

Gemischte Ladung, bestehend aus Textilien aus Baumwolle und Synthetik.

Standardtemperatur	40 °C
Standardzeit	1:20
Standardgeschwindigkeit	800 U/min
Maximale Ladung, Waschen	8,0 kg
Vorwaschmittel	Optional
Hauptwaschmittel	Wesentlich
Weichspüler	Optional
Optionen	<ul style="list-style-type: none"> • Verzögerung • Extra Spülen • Vorwäsche • SpaCare • Schnellwäsche

Mein Programm

Definieren und speichern Sie Ihre bevorzugte Kombination von Waschprogrammen und Optionen. Siehe Abschnitt "Verwenden Sie die Funktion „Mein Programm“", [Seite 63](#).

Nur schleudern

Zusätzliches Schleudern mit wählbarer Schleudergeschwindigkeit.

Standardtemperatur	-
Standardzeit	0:12
Standardgeschwindigkeit	1000 U/min
Maximale Ladung, Waschen	8,0 kg
Vorwaschmittel	-
Hauptwaschmittel	-
Weichspüler	-
Optionen	<ul style="list-style-type: none"> • Verzögerung

Synthetisch

Zum Waschen von synthetischen Textilien wie Hemden, Mänteln und Mischgeweben. Wenn Strickwaren gewaschen werden, sollte die Waschmittelmenge reduziert werden, um eine übermäßige Schaumbildung zu vermeiden.

Standardtemperatur	40 °C
Standardzeit	3:18
Standardgeschwindigkeit	1200 U/min
Maximale Ladung, Waschen	4,0 kg
Vorwaschmittel	Optional
Hauptwaschmittel	Wesentlich
Weichspüler	Optional
Optionen	<ul style="list-style-type: none"> • Verzögerung • Extra Spülen • Vorwäsche • Bodenniveau

Kurz 15 Min.

Extrakurzes Programm. Geeignet für kleine Mengen leicht verschmutzter Wäsche.

Standardtemperatur	Kalt
Standardzeit	0:15
Standardgeschwindigkeit	800 U/min
Maximale Ladung, Waschen	2,0 kg
Vorwaschmittel	-
Hauptwaschmittel	Wesentlich

Weichspüler	Optional
Optionen	<ul style="list-style-type: none"> • Verzögerung

Spülen und Schleudern

Extra Spülen und Schleudern.

Standardtemperatur	-
Standardzeit	0:20
Standardgeschwindigkeit	1000 U/min
Maximale Ladung, Waschen	8,0 kg
Vorwaschmittel	-
Hauptwaschmittel	-
Weichspüler	Optional
Optionen	<ul style="list-style-type: none"> • Verzögerung • Extra Spülen

Wolle

Hand- oder maschinenwaschbare Wolle oder Textilien mit hohem Wollanteil. Schonendes Waschprogramm zur Vermeidung von Schrumpfung. Beinhaltet längere Zeiträume ohne Trommeldrehung.

Standardtemperatur	40 °C
Standardzeit	1:07
Standardgeschwindigkeit	600 U/min
Maximale Ladung, Waschen	2,0 kg
Vorwaschmittel	-
Hauptwaschmittel	Wesentlich
Weichspüler	Optional
Optionen	<ul style="list-style-type: none"> • Verzögerung • Extra Spülen

REINIGUNG

Die richtige Wartung Ihres Produkts kann seine Lebensdauer verlängern.

Verwenden Sie bei Bedarf einen Kalkentferner, der für Waschmaschinen bestimmt ist. Befolgen Sie die Anweisungen, die dem Entferner beiliegen.

**WARNUNG!**

Ziehen Sie den Netzstecker und schließen Sie den Wasserhahn, bevor Sie mit der Wartung beginnen.

**VORSICHT!**

Verwenden Sie zur Reinigung des Geräts keinen Alkohol, keine Lösungsmittel oder chemischen Produkte.

Reinigen Sie die Außenseite

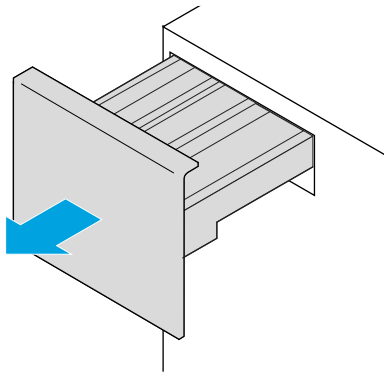
- Reinigen Sie die Oberfläche bei Bedarf mit verdünnten, nicht scheuernden Neutralreinigern.
- Wenn Wasser überläuft, wischen Sie es sofort mit einem Tuch ab.

**VORSICHT!**

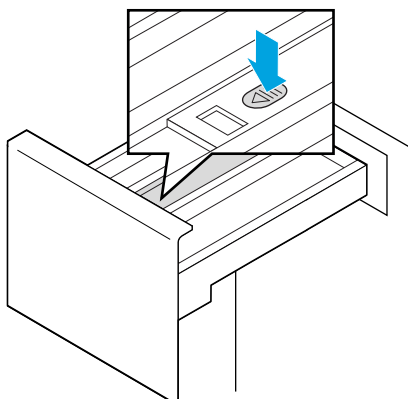
- Verwenden Sie keine scharfen Reinigungswerkzeuge.
- Verwenden Sie keine Ameisensäure oder Lösungsmittel wie Alkohol, chemische Produkte usw.

Reinigen Sie den Waschmittelpender

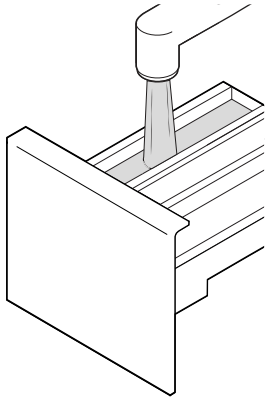
1. Öffnen Sie den Waschmittelpender.



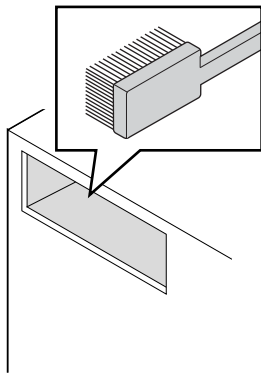
2. Drücken Sie auf den Knopf und ziehen Sie den Waschmittelpender heraus.



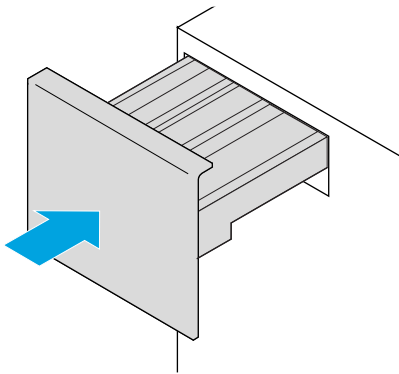
3. Reinigen Sie den Waschmittelspender mit Wasser.



4. Reinigen Sie das Innere der Aussparung mit einer alten Zahnbürste.



5. Setzen Sie den Waschmittelspender ein.



Reinigen Sie die Trommel

- Entfernen Sie sofort jeglichen Rost, der durch Metallteile im Inneren der Trommel entstanden ist.

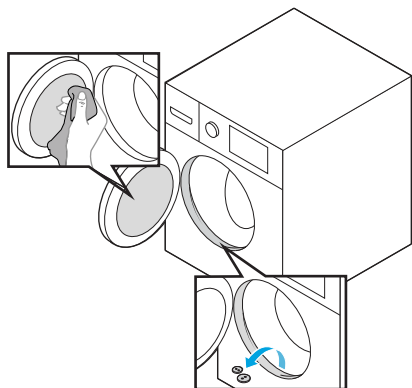


VORSICHT!

- Verwenden Sie ein chlorfreies Waschmittel.
 - Verwenden Sie keine Stahlwolle.
- Führen Sie bei Bedarf das für die Reinigung der Trommel vorgesehene Programm aus. Siehe Abschnitt "Drum cleanTrommelreinigungTrumrengöringTrommelrengjøringTromlerengöringRummun puhdistusPrif tromlu", [Seite 65](#).

Reinigen Sie die Türdichtung und das Glas

Tun Sie dies nach jeder Wäsche.



- Wischen Sie das Glas und die Dichtung ab, um Flusen und Flecken zu entfernen.



HINWEIS!

Wenn sich Flusen ansammeln, kann dies zu Undichtigkeiten führen.

- Entfernen Sie alle Münzen, Knöpfe oder andere Gegenstände aus der Dichtung.



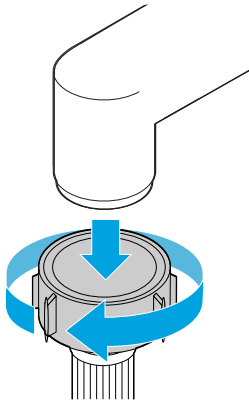
VORSICHT!

- Verwenden Sie ein chlorfreies Waschmittel.
- Verwenden Sie keine Stahlwolle.

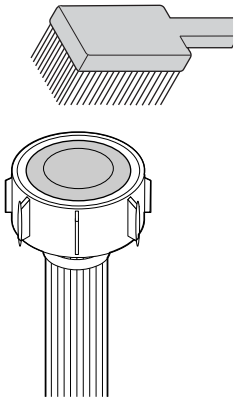
Reinigen Sie den Wasserzulauffilter

Reinigen Sie den Wasserzulauffilter alle 3 Monate. Die Filter am Wasserhahn müssen gereinigt werden, wenn die Wasserzufuhr eingeschränkt ist.

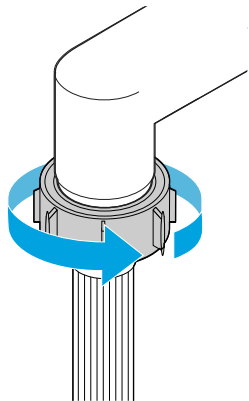
1. Drehen Sie den Wasserhahn zu und ziehen Sie den Wasserschlauch vom Wasserhahn ab.



2. Reinigen Sie den Filter.



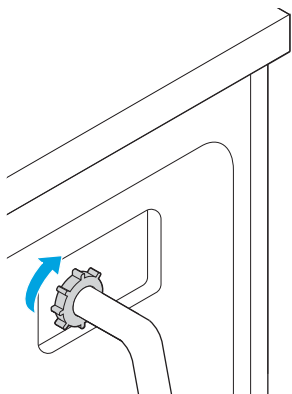
3. Schließen Sie den Wasserzulaufschlauch wieder an den Wasserhahn an und drehen Sie den Wasserhahn auf.



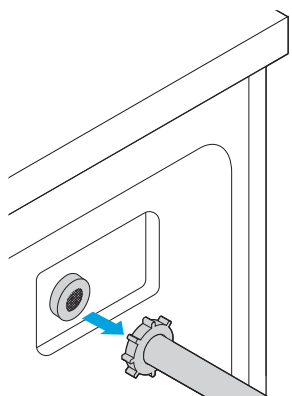
Reinigen Sie den Maschinezulauffilter

Reinigen Sie den Maschinezulauffilter alle 3 Monate. Der Maschinezulauffilter muss gereinigt werden, wenn die Wasserzufuhr eingeschränkt ist.

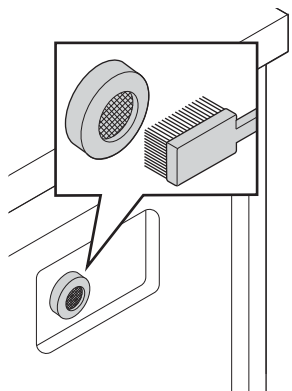
1. Drehen Sie den Wasserhahn zu und schrauben Sie das Zulaufrohr an der Rückseite des Geräts ab.



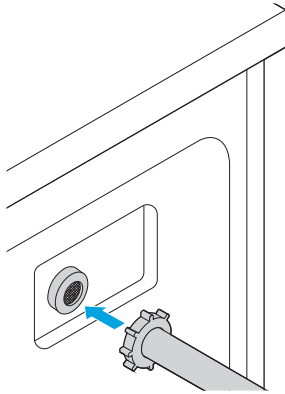
2. Entfernen Sie das Zulaufrohr.



3. Reinigen Sie den Filter mit einer Bürste.



4. Montieren Sie das Zulaufrohr wieder und drehen Sie den Wasserhahn auf.



Der Filter kann herausgenommen und separat gewaschen werden.

Filter der Ablaufpumpe reinigen

Der Filter der Ablaufpumpe ist so konzipiert, dass er Fasern und kleine Fremdkörper auffängt. Reinigen Sie den Filter regelmäßig, um den normalen Betrieb der Maschine zu gewährleisten.



WARNUNG!

Ziehen Sie den Netzstecker, bevor Sie den Filter reinigen, um einen Stromschlag zu vermeiden.



WARNUNG!

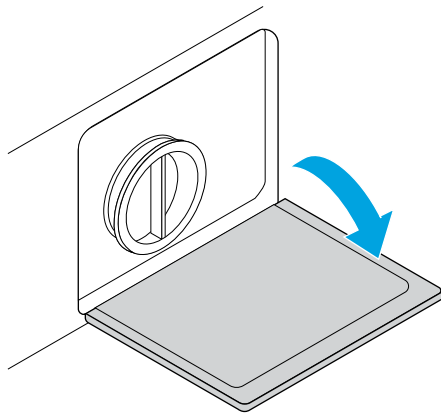
- Vorsicht. Das Wasser kann heiß sein!
- Lassen Sie die Reinigungsmittellösung abkühlen, bevor Sie den Filter reinigen.



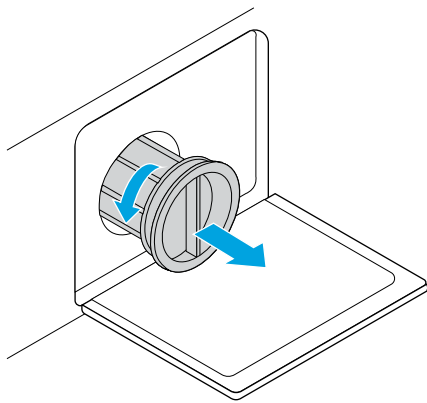
VORSICHT!

Entfernen Sie niemals den Pumpendeckel während eines Waschgangs. Warten Sie immer, bis die Maschine den Zyklus beendet hat und leer ist.

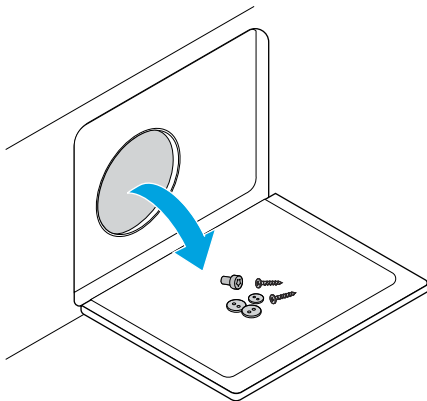
1. Öffnen Sie den Filterdeckel.



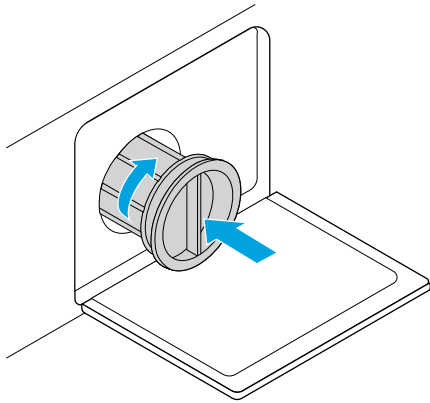
2. Drehen Sie den Filter gegen den Uhrzeigersinn und ziehen Sie ihn heraus.



3. Entfernen Sie alle Fremdkörper.



4. Setzen Sie den Filter wieder ein und schließen Sie den Deckel.

**VORSICHT!**

Vergewissern Sie sich, dass die Ventilkappe wieder ordnungsgemäß angebracht ist; die Anschlüsse müssen korrekt ausgerichtet sein, da sonst Wasser austreten kann.

FEHLERSUCHE

Die Maschine startet nicht

Das Problem kann verschiedene Ursachen haben. Befolgen Sie die Anweisungen für die vorgeschlagenen Ursachen, um das Problem zu lösen.

Die Tür ist nicht richtig geschlossen

1. Prüfen Sie, ob die Wäsche feststeckt.
2. Schließen Sie die Tür und versuchen Sie erneut zu starten.

Die Maschine ist nicht an das Stromnetz angeschlossen

Schließen Sie das Stromkabel an die Steckdose an.

Es wurde kein Programm ausgewählt

Wählen Sie ein Programm.

Sie haben vergessen, die Start/Pause-Taste zu drücken



Drücken Sie die Taste.

Die Maschine ist nicht eingeschaltet

Schalten Sie die Maschine ein.

Die Anzeige schaltet sich nicht ein

Das Problem kann verschiedene Ursachen haben. Befolgen Sie die Anweisungen für die vorgeschlagenen Ursachen, um das Problem zu lösen.

Die Stromversorgung funktioniert nicht

1. Prüfen Sie, ob die Stromversorgung funktioniert.
2. Wenn sie nicht funktioniert, wenden Sie sich an einen autorisierten Elektriker.

Hauptstecker ist nicht eingesteckt

Stecken Sie den Netzstecker in die Steckdose.

Es wurde kein Programm ausgewählt

Wählen Sie ein Programm.

Die Maschine ist nicht eingeschaltet

Drücken Sie die Ein/Aus-Taste.



Die Tür kann nicht geöffnet werden

Die Sicherheitssperre der Maschine ist aktiv

Trennen Sie das Gerät von der Stromversorgung und starten Sie es neu.

Wasser tritt aus

Die Verbindung zwischen der Maschine und dem Zulaufrohr oder dem Abflussschlauch ist nicht dicht

- Überprüfen Sie die Anschlüsse und ziehen Sie sie fest.
- Reinigen Sie den Ablaufschlauch.

Waschmittelrückstände im Spender

Waschmittel ist feucht oder verklumpt

Reinigen und wischen Sie den Waschmittelspender aus. Siehe Abschnitt "Reinigen Sie den Waschmittelspender", [Seite 69](#).

Anzeige leuchtet nicht

Problem mit der elektrischen Verbindung

Vergewissern Sie sich, dass der Strom eingeschaltet ist und der Stecker richtig eingesteckt ist.

Abnormes Geräusch

Das Problem kann verschiedene Ursachen haben. Befolgen Sie die Anweisungen für die vorgeschlagenen Ursachen, um das Problem zu lösen.

Die Transportschrauben sind nicht entfernt worden.

Entfernen Sie die Transportschrauben. Siehe Abschnitt "Entfernen Sie die Transportschrauben", [Seite 83](#).

Die Maschine ist nicht nivelliert

Nivellieren Sie die Maschine. Siehe Abschnitt "Nivellieren Sie die Maschine", [Seite 85](#).

Der Fehlercode E10 wird angezeigt

Problem mit dem Wasserzulauf beim Waschen

- Prüfen Sie, ob der Wasserdruck zu niedrig ist.
- Richten Sie das Wasserrohr aus.
- Prüfen Sie, ob der Filter des Einlassventils verstopft ist.

Der Fehlercode E12 wird angezeigt

Überlaufendes Wasser

Starten Sie die Maschine neu.

Der Fehlercode E21 wird angezeigt

Wasser braucht zu lange zum Abfließen

Prüfen Sie, ob der Ablaufschlauch verstopft ist.

Der Fehlercode E30 wird angezeigt

Die Tür schließt nicht richtig

1. Prüfen Sie, ob Kleidung feststeckt.
2. Schließen Sie die Tür und versuchen Sie erneut zu starten.

Der Fehlercode EXX wird angezeigt

Anderes Problem

Versuchen Sie es erneut, und wenden Sie sich an den Support, wenn das Problem weiterhin besteht. Wenden Sie sich an **Elvita Support**, wenn Sie Hilfe zu Ihrem Produkt benötigen.

INSTALLATION

Folgen Sie den Anweisungen in diesem Abschnitt, um Ihre Maschine zu installieren.



WARNUNG!

- Wenn das Stromkabel beschädigt ist, muss es durch den Hersteller, den Kundendienst des Herstellers oder ähnlich qualifizierte Personen ersetzt werden, um Gefahren zu vermeiden.
- Verwenden Sie die mit der Maschine gelieferten neuen Schlauchsätze. Alte Schlauchsätze nicht wiederverwenden.
- Schließen Sie den Stecker zu Ihrer eigenen Sicherheit an eine geerdete Steckdose an. Prüfen Sie sorgfältig, ob Ihre Steckdose richtig und zuverlässig geerdet ist.
- Vergewissern Sie sich, dass die Maschine gemäß den Anweisungen des Herstellers und den örtlichen Sicherheitsvorschriften von einer entsprechend qualifizierten Person an die Wasser- und Stromversorgung angeschlossen wird.



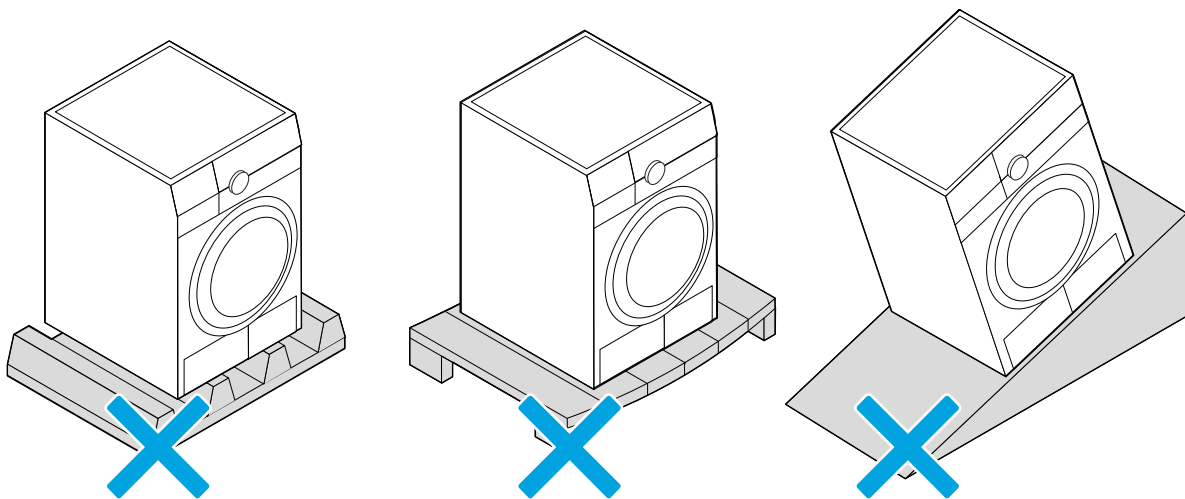
VORSICHT!

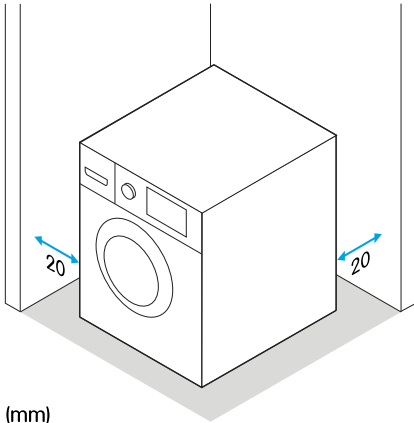
Der Zulaufschlauch muss an die Kaltwasserleitung angeschlossen werden.

Installationsbereich

Beachten Sie bei der Wahl des Aufstellungsortes für die Maschine folgende Punkte:

- Direkte Sonneneinstrahlung ist zu vermeiden.
- Ausreichende Belüftung.
- Raumtemperatur über 0 °C.
- Von Wärmequellen wie Kohle- oder Gasgeräten fernhalten.
- Der Untergrund muss fest, trocken und eben sein. Die Stabilität ist wichtig, damit die Maschine nicht umherwandert.





(mm)

**WARNUNG!**

- Achten Sie darauf, dass das Gerät nicht auf dem Netzkabel steht.
- Der Stecker muss nach der Installation zugänglich sein.

**WARNUNG!**

Die Maschine darf nicht in sehr feuchten Räumen oder in Räumen, in denen die Gefahr von explosiven oder ätzenden Gasen besteht, verwendet werden.

**VORSICHT!**

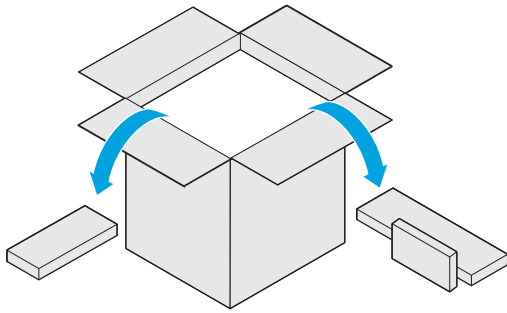
- Die Maschine ist nur für den Innenbereich geeignet.
- Die Maschine ist nicht für den Einbau in einen Schrank vorgesehen.
- Die Öffnungen dürfen nicht durch einen Teppich verdeckt werden.

Packen Sie die Maschine aus

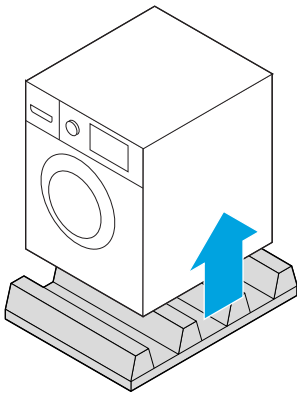
**WARNUNG!**

Entfernen Sie alle Verpackungs- und Transportschrauben, bevor Sie die Maschine verwenden. Andernfalls kann es zu schweren Schäden kommen.

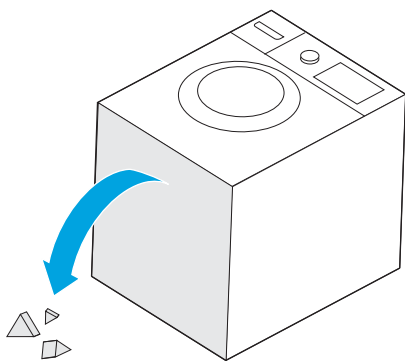
1. Entfernen Sie den Karton und die Styroporverpackung.



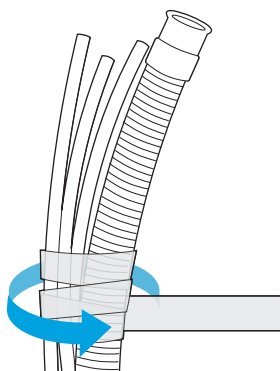
2. Heben Sie das Produkt an und entfernen Sie die Bodenverpackung.



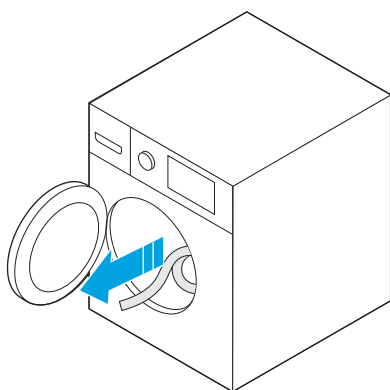
3. Legen Sie das Produkt auf die Seite und entfernen Sie die kleinen dreieckigen Schaumstoffstücke von der Unterseite.



4. Entfernen Sie das Klebeband, mit dem das Netzkabel und der Ablaufschlauch befestigt sind.



5. Entfernen Sie das Zubehör aus der Trommel.

**WARNUNG!**

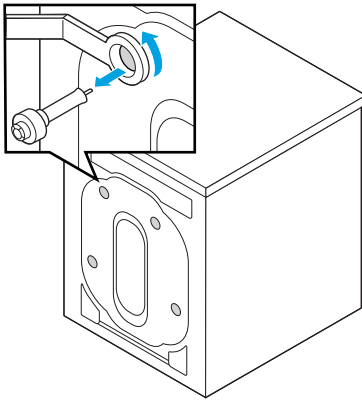
Halten Sie das gesamte Verpackungsmaterial von Kindern fern. Es besteht Erstickungsgefahr!

Entfernen Sie die Transportschrauben

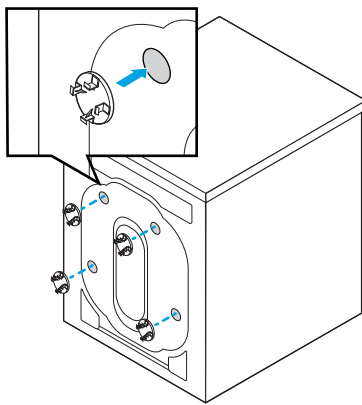
**WARNUNG!**

Vor der Benutzung der Maschine müssen Sie die Transportschrauben an der Rückseite entfernen.

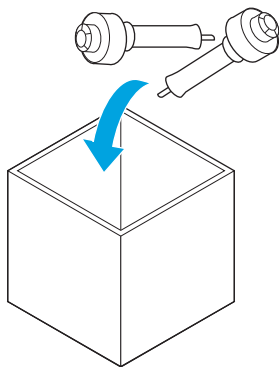
1. Lösen Sie die Schrauben mit einem Schraubenschlüssel und entfernen Sie sie.



2. Verschließen Sie die Löcher mit den Transportlochstopfen.

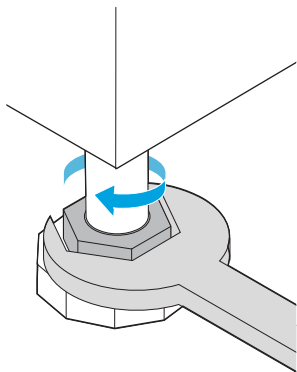


3. Bewahren Sie die Schrauben an einem sicheren Ort auf.
HINWEIS! Sie benötigen die Transportschrauben wieder, wenn Sie die Maschine bewegen.

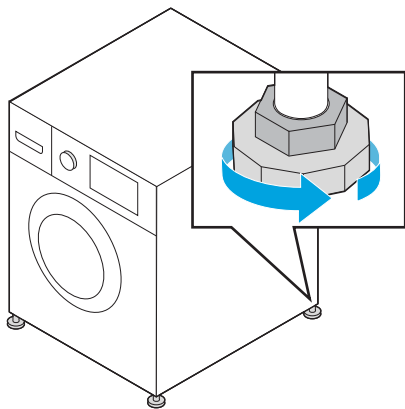


Nivellieren Sie die Maschine

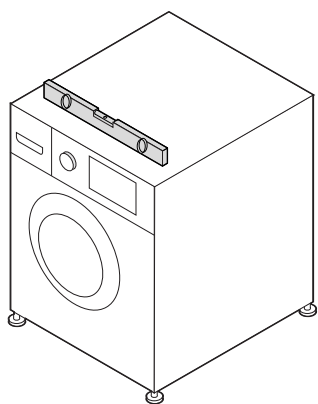
1. Lösen Sie die Muttern und schrauben Sie die Füße vollständig ein. Prüfen Sie, ob es Füße gibt, die den Boden nicht berühren.



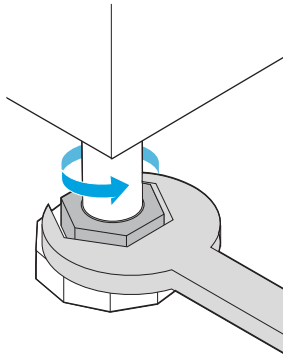
2. Wenn ein Fuß den Boden nicht berührt: Schrauben Sie den Fuß heraus, bis er den Boden berührt.



3. Prüfen Sie mit einer Wasserwaage, ob die Waschmaschine perfekt waagrecht steht, und justieren Sie die Füße bei Bedarf neu.

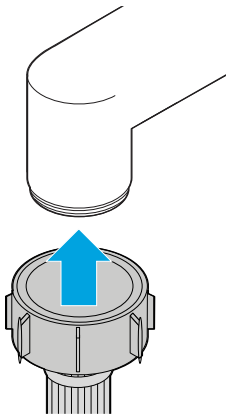


4. Ziehen Sie die Muttern mit einem Schraubenschlüssel an und achten Sie darauf, dass die Maschine ruhig steht.
WARNUNG! Die Kontermuttern an allen vier Füßen müssen fest gegen das Gehäuse geschraubt sein.

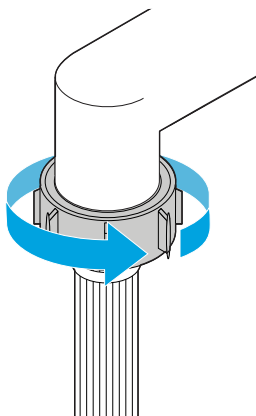


Schließen Sie den Wasserzulaufschlauch an einen Wasserhahn an.

1. Heben Sie den Schlauch zum Wasserhahn hoch.

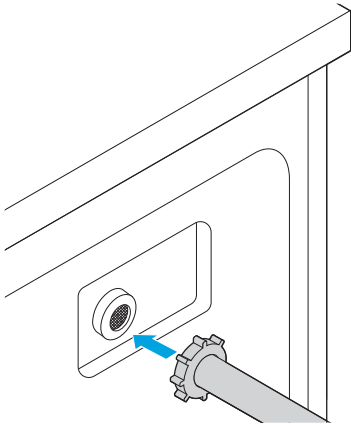


2. Schrauben Sie das Verbindungsstück auf das Gewinde des Wasserhahns.

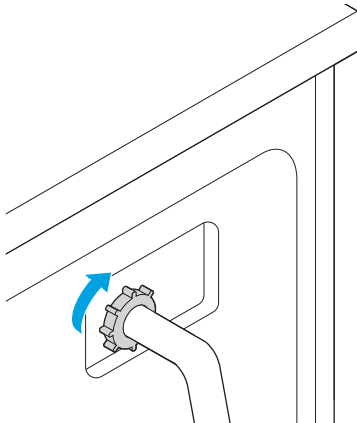


Schließen Sie den Wasserzulaufschlauch an die Maschine an.

1. Heben Sie den Zulaufschlauch zum Einlassventil an der Rückseite der Maschine.



2. Schrauben Sie die Kupplung auf das Gewinde des Hahns, bis sie fest sitzt.



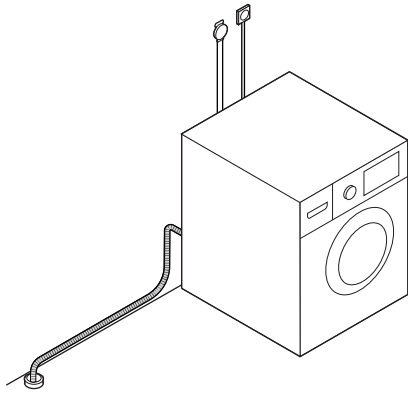
Anschluss an einen externen Abfluss



VORSICHT!

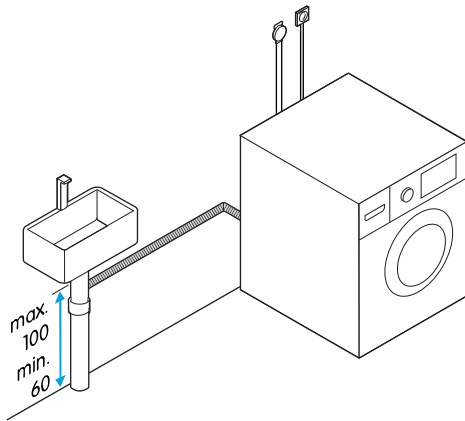
- Knicken oder dehnen Sie den Abflussschlauch nicht.
- Bringen Sie den Abflussschlauch richtig an, da er bei Beschädigung zu einem Wasseraustritt führen kann.
- Tauchen Sie das Ende des Ablaufschlauchs nicht in das Abwasser ein. Das Eintauchen des Schlauchs könnte den Abfluss behindern und dazu führen, dass das Abwasser wieder in die Maschine zurückfließt.

Führen Sie den Ablaufschlauch in einen Bodenablauf ein.



Schließen Sie den Ablaufschlauch an ein Ablaufrohr des Waschbeckens an.

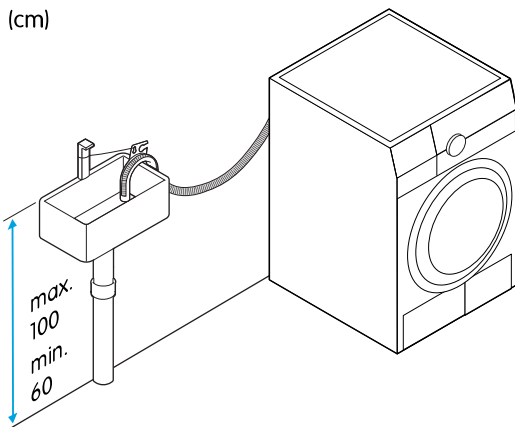
(cm)



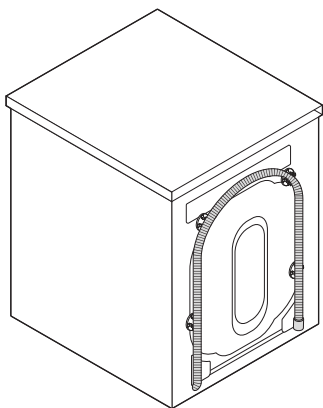
Führen Sie den Ablaufschlauch in ein Waschbecken ein.

Verwenden Sie den Ablaufschlauchhalter, um den Abflussschlauch knickfrei nach unten in das Waschbecken zu führen.

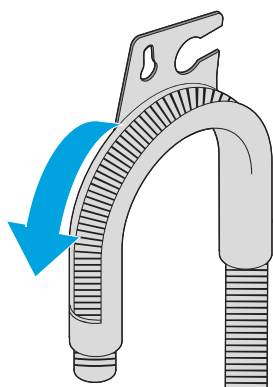
(cm)



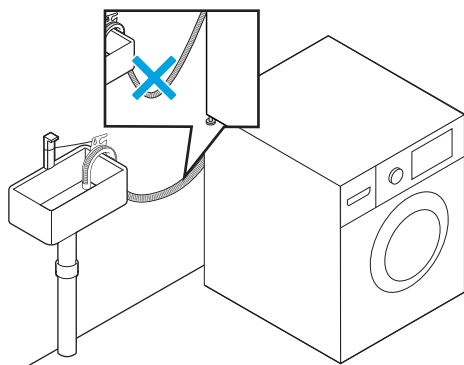
1. Ziehen Sie den Ablaufschlauch vorsichtig aus den Klammern.



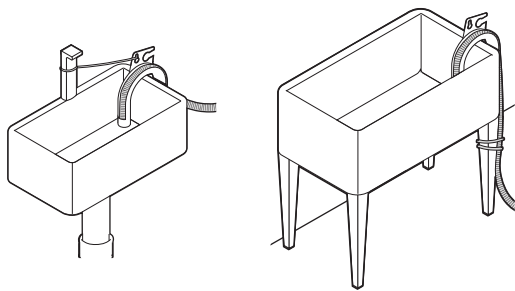
2. Stecken Sie den Ablaufschlauch in den Schlauchhalter.



3. Hängen Sie den Schlauchhalter über den Rand des Waschbeckens.



4. Befestigen Sie den Ablaufschlauch mit einer Schnur, einer Schelle oder einem Kabelbinder am Waschbecken.



ANHANG

Technische Spezifikationen


HINWEIS!

Der Wert der Nennkapazität bezieht sich auf das Gewicht der trockenen Wäsche.

Modellcode	Siehe Abschnitt "Den Modellcode finden", Seite 57
Breite	595 mm
Tiefe	565 mm
Höhe	850 mm
Gewicht	68 kg
Nennkapazität	8 kg
Maximale Schleuderdrehzahl	1400 U/min
Stromversorgung	220-240 V, 50 Hz
Maximaler Strom	10 A
Nennleistung	2000 W
Standard-Wasserdruck	0,05 MPa ~ 1 MPa

Energie-Effizienz

Informationen über die Energie-Effizienz dieses Produkts finden Sie in EPREL, dem europäischen Produktregister für das Energiezertifikat. Rufen Sie die EPREL-Webseite auf und verwenden Sie die Modellkennung, um die Informationen zu finden. Die Modellbezeichnung finden Sie auf dem Energieetikett, das dem Produkt beiliegt..

EPREL-Webseite: <https://eprel.ec.europa.eu/>



Verbrauchswerte

Die tatsächlichen Werte für einen Waschgang können von den hier angegebenen Werten abweichen. Die für andere Programme als für das ECO 40-60 Programm angegebenen Werte sind nur Richtwerte.

Programm	Waschladung, bei der die Werte erreicht wurden (Nennkapazität des jeweiligen Programms, sofern nicht anders angegeben) (kg)	Programmdauer (Stunden:Minuten)	Stromverbrauch (kWh pro Zyklus)	Wasserverbrauch (Liter pro Zyklus)	Max. erreichte Temperatur für min. 5 Minuten im Inneren der Maschine während des Waschgangs (°C)	Restfeuchte und die Schleuderdrehzahl (U/min), bei der der Wert erreicht wurde
20 °C	4,0	1:01	0,183	44	20	65 % / 1000
Baumwolle (60 °C)	8,0	3:39	1,120	71	40	53 % / 1400
ECO 40-60	8,0 (Nennkapazität)	3:38	0,857	59	34	53 % / 1400
	4,0 (Die Hälfte der Nennkapazität)	2:48	0,504	46	29	53 % / 1400
	2,0 (Ein Viertel Hälfte der Nennkapazität)	2:48	0,240	37	21	53 % / 1400
Intensiv	8,0	3:48	1,136	71	40	70 % / 800
Gemischt	8,0	1:20	0,754	71	40	65 % / 1000
Kurz 15 Min.	2,0	0:15	0,030	40	15	75 % / 800

EU-Richtlinien und Normen

Dieses Produkt erfüllt die geltenden EU-Richtlinien und Vorschriften und trägt das CE-Zeichen. Falls sie dem Produkt nicht beiliegt, ist eine Kopie der EU-Konformitätserklärung auf Anfrage erhältlich.

- Die Leistung des Produkts wurde in Übereinstimmung mit der Norm EN 60456 für Waschmaschinen getestet.
- Bezüglich der EU-Verordnung 2019/2023, Energie-Testprogramm: ECO 40-60; andere Einstellungen: Standard.

Innehåll

SÄKERHET	96
Varningar.....	96
Avsedd användning	96
Säkerhet för barn och personer med funktionsnedsättning	96
Allmän säkerhet	97
Säkerhet under installation	97
Säkerhet under användning	98
Säkerhet under underhåll	99
Avfallshantering	99
SNABBSTART	100
Snabbstart.....	100
KOMMA IGÅNG	101
Lär känna din nya tvättmaskin	101
Reglage.....	101
Symboler på displayen	101
Tvättmedelsfack.....	101
Tillbehör.....	102
Använd barnlåset.....	102
Hitta modellkoden.....	102
Innan första användning.....	103
Kalibrera maskinen.....	103
Kör en tom tvättcykel.....	103
TVÄTT	104
Före varje tvätt	104
Starta tvätten.....	105
Alternativ, inställningar och funktioner	106
Alternativ, inställningar och funktioner	106
Ändra nedsmutsningsnivån	107
Ändra centrifugeringsvarvtalet	107
Ändra temperaturen	107
Använd alternativet Fördröjning	107
Använd alternativet Extra sköljning	107
Använd alternativet Förtvätt	107
Använd alternativet SpaCare.....	108
Använd alternativet Snabbtvätt	108
Använd funktionen Mitt val	108
Lägg i tvätt i efterhand – lägg till tvätt under en tvätt	108
Stäng av och slå på ljudsignalen	108
Tvättprogram.....	109
20 °C	109
Babykläder	109

Sänglinne	109
Bomull	110
Trumrengöring	110
ECO 40-60	111
Intensiv	111
Mixade material	111
Mitt val	112
Centrifugering	112
Syntet	112
Kort 15 min	112
Sköljprogram	113
Ylle	113
RENGÖRING	114
Rengör utsidan	114
Rengör tvättmedelsfacket	114
Rengör trumman	115
Rengör luckans tätning och glas	116
Rengör vattenkranens inloppsfilter	116
Rengör maskinens inloppsfilter	117
Rengör tömningspumpens filter	119
FELSÖKNING	122
Maskinen startar inte	122
Displayen tänds inte	122
Luckan går inte att öppna	122
Vatten läcker ut	123
Rester av tvättmedel i tvättmedelsfacket	123
Indikatorn eller displayen tänds inte	123
Onormalt ljud	123
Felkoden E10 visas	123
Felkoden E12 visas	123
Felkoden E21 visas	123
Felkoden E30 visas	124
Felkoden EXX visas	124
INSTALLATION	125
Installationsplats	125
Packa upp maskinen	126
Avlägsna transportskruvarna	128
Nivåjustera maskinen	130
Anslut inloppsslangen till en vattenkran	131
Anslut inloppsslangen till maskinen	132
Anslut till ett externt avlopp	132
Sätt avloppsslangen i ett golvavlopp	133
Anslut avloppsslangen till ett avlopp	133

Sätt avloppsslangen i en vask	133
BILAGA	136
Tekniska specifikationer	136
Förbrukningsvärden	136
EU-direktiv och standarder	137

SÄKERHET

Läs instruktionerna noga innan du installerar och använder produkten. Spara instruktionerna och förvara dem nära produkten för framtida bruk. Alla garantier förlorar sin giltighet om dessa instruktioner inte efterlevs.

Varningar


VARNING!

Används när det finns risk för personskada.


FÖRSIKTIGHET!

Används när det finns risk för skada på produkten.


OBS!

Allmän information som du bör känna till.



Hjälpsamma tips som du kan ha nytta av.

Avsedd användning

Denna maskin är endast avsedd för:

- Inomhusbruk i ett hushåll eller i en hushållsmiljö som t.ex.:
 - av personal i köksavdelningen hos affärer, kontor och andra arbetsplatser;
 - privathushåll;
 - av gäster på hotell, motell och liknande typer av boendemiljö;
 - på bed and breakfast, vandrarhem och liknande.
- Tvätt av maskintvättbara kläder och textilier i en tvättmedelslösning.
- Tvätt med hjälp av vanliga lågskummande tvättmedel och skötselprodukter som är lämpliga för användning på frontmatad tvättmaskin eller kombinerad tvätt/tork.

Maskinen är inte avsedd att byggas in i skåp.

Säkerhet för barn och personer med funktionsnedsättning


VARNING!

Låt endast följande grupper använda produkten om de övervakas eller har instruerats om hur man använder produkten på ett säkert sätt. De måste ha förstått de faror som är förknippade därmed.

- Barn. (Barn under 8 års ålder måste ständigt övervakas.)
- Personer med nedsatt fysisk, sensorisk eller mental förmåga.
- Personer som saknar erfarenhet eller kunskap.


VARNING!

- Barn får inte leka med maskinen.
- Barn får inte rengöra maskinen utan tillsyn.


VARNING!

Det finns risk att djur eller barn klättrar in i maskinen. Kontrollera insidan före varje användning.


VARNING!

Glasluckan kan bli mycket varm under drift. Försäkra dig om att barn och husdjur inte kan komma nära maskinen när den används.

Allmän säkerhet

**WARNING!**

- Det är förbjudet att tvätta eller torka plagg/tyg som har rengjorts i, tvättats i, blötlagts i eller fuktats med brandfarliga eller explosiva ämnen, till exempel vax, olja, färg, bensin, avfettningsmedel, kemtvättmedel, fotogen. Detta kan orsaka brand eller explosion.
- Skölj alla sådana plagg noga för hand innan du lägger dem i tvättmaskinen.

**WARNING!**

Risk för elstötar!

- Om nätsladden är skadad ska den bytas ut av tillverkaren, dennes servicerepresentant eller annan behörig person för att undvika olycksfall.
- Om maskinens skadas får den inte användas förrän den har reparerats av tillverkaren, dennes servicerepresentant eller annan behörig person.
- Koppla bort maskinen från elnätet innan du rengör eller underhåller maskinen.
- Använd inte ett eluttag med en lägre nominell spänning än maskinen.
- Dra inte ut stickkontakten från eluttaget med våta händer.

**FÖRSIKTIGHET!**

- Klättra inte upp på maskinen och sitt inte på den.
- Luta dig inte mot maskinens lucka.
- Smäll inte igen maskinens lucka. Om det är svårt att stänga luckan kan det bero på att det finns tvätt i vägen.
- Tvätta inte mattor i maskinen.

**FÖRSIKTIGHET!**

När du flyttar maskinen:

- Transportskruvarna måste återmonteras på maskinen av en kvalificerad person.
- Maskinen måste tömmas på allt vatten.
- Hantera maskinen varsamt. Håll inte i utstickande delar på maskinen när du lyfter den.
- Använd inte maskinens lucka för att lyfta den under transporten.
- Maskinen är tung. Var försiktig när du transporterar den.

Säkerhet under installation

**WARNING!**

Kontrollera avseende synliga yttre skador innan du installerar maskinen. Installera eller använd inte en skadad maskin.

**WARNING!**

Installera inte maskinen

- i ett badrum i en situation där det finns risk för direktkontakt med vatten, till exempel vattenstrålar från en dusch, vatten från ett badkar eller i ett mycket vått rum eller ett rum med hög fuktighet;
- i rum med explosiva eller frätande gaser; eller
- bakom en låsbar dörr, skjutdörr eller en dörr med gångjärnen på maskinens motsatta sida.

**WARNING!**

Se till att ventilationen i utrymmet är tillräckligt, för att undvika baksug av gaser från enheter som använder andra bränslen, till exempel öppna spisar.

**WARNING!**

- Avlägsna allt emballage och alla transportskruvar innan du använder maskinen. I annat fall finns det risk för allvarliga skador.
- Håll allt förpackningsmaterial utom räckhåll för barn. Kvävningsrisk!

**VARNING!**

- Försäkra dig om att maskinen ansluts till vatten- och strömförsörjningen av en lämplig kvalificerad person, i enlighet med tillverkarens instruktioner och lokala säkerhetsföreskrifter.
- Om strömsladden är skadad ska den bytas av tillverkaren, tillverkarens servicerepresentant eller personer med samma behörighet (skadad strömsladd utgör en fara).
- Säkerställ att du ansluter maskinens stickkontakt till ett jordat vägguttag. Försäkra dig om att vägguttaget är korrekt och tillförlitligt jordat.
- Säkerställ att maskinens stickkontakt är åtkomlig efter installationen och att maskinen inte står på strömsladden.
- När du nivåjusterar maskinen, skruvar du fast låsmuttrarna på alla fyra fötter så att de sitter fast ordentligt mot höljet.
- Om tillämpligt måste du säkerställa att ventilationsöppningarna nere på maskinen inte blockeras, t.ex. av en matta.
- Använd den nya slangsetsen som levererades med maskinen. Återanvänd inte den gamla slangsetsen.

**FÖRSIKTIGHET!**

- Inloppsslangen ska anslutas till en kallvattenkran.
- Försäkra dig om att inloppsslangen inte böjas, ändras eller skadas.
- Böj eller tøj inte avloppsslangen.
- Sätt avloppsslangen så den inte skadas. En skadad slang orsakar vattenläckage.
- Tvinga inte in avloppsslangen i maskinen om den är för lång, eftersom detta kan orsaka onormala ljud.

**FÖRSIKTIGHET!**

- Maskinen måste kalibreras innan den används första gången.
- Kör först ett komplett tvättprogram utan någon tvätt i trumman, innan du tvättar med maskinen första gången.

Säkerhet under användning

**VARNING!**

- Det är förbjudet att använda brandfarliga, explosiva eller giftiga lösningsmedel. Bensin, alkohol och liknande vätskor får inte användas som tvättmedel. Använd endast tvättmedel avsedda för maskintvätt.

**VARNING!**

- Koppla bort maskinen från vägguttaget och stäng av vattentillförseln till den efter varje användning.

**VARNING!**

- Var försiktig så att du inte bränner dig när varmt vatten töms ut från maskinen.
- Om maskinen har en funktion som tillåter dig att pausa ett tvättprogram och lägga till fler kläder, ska du inte använda denna funktion när vattennivån är över den inre trummans kant eller om temperaturinställningen är för hög.
- Om trumman fortfarande roterar och det finns mycket varmt vatten i den, är det inte säkert att öppna luckan och luckan kan inte öppnas med kraft.
- Fyll inte på vatten manuellt under pågående program.

**FÖRSIKTIGHET!**

- Efter att ett tvättprogram har slutförts:
 - vänta i två minuter innan du öppnar luckan och
 - försäkra dig om att det inte finns något vatten i trumman innan du öppnar luckan. Öppna inte luckan om du ser vatten i trumman.

**FÖRSIKTIGHET!**

- Använd sköljmedel eller liknande produkter i enlighet med tillverkarens anvisningar.
- Vassa och fasta föremål som t.ex. mynt, smycken, spikar, skruvar eller stenar kan orsaka allvarliga skador på maskinen. Se till att du tömmer alla fickor.

**FÖRSIKTIGHET!**

- Maskinen måste kalibreras innan den används första gången.
- Kör först ett komplett tvättprogram utan någon tvätt i trumman, innan du tvättar med maskinen första gången.

Säkerhet under underhåll

**VARNING!**

- Endast auktoriserade servicetekniker får utföra reparationer.
- Om du upplever problem med maskinen som felsökningsinformationen i den samlade bruksanvisningen inte kan hjälpa dig att lösa, stänger du av maskinen, kopplar bort den från strömförsörjningen, stänger av vattentillförseln och kontakter vår support och service.

**VARNING!**

Stäng av strömförsörjningen och vattentillförseln till maskinen innan du utför något underhåll.

**VARNING!**

Det kan finnas hett vatten i tömningspumpen under drift. Öppna inte pumpkåpan under en tvättcykel. Vänta alltid tills maskinen har slutfört cykeln och allt vatten har tömts.

**FÖRSIKTIGHET!**

- Använd inte lösningsmedel, alkohol, produkter som innehåller myrsyra, slipande rengöringsmedel, glasrengöringsmedel eller allrengöringsmedel för att rengöra maskinen. Risk för att plastytorna och andra delar skadas.
- Bär handskar när du rengör maskinen.
- Risk för vattenläckage om du inte återmonterar pumpkåpan korrekt efter att du rengjort tömningspumpens filter.

Avfallshantering



Avfallshandtera förpackningen på ett miljövänligt sätt. Återvinn förpackningen i enlighet med lokala lagar och föreskrifter, för att reducera förbrukningen av råmaterial och mark som används för deponering av avfall.

Denna maskin är märkt i enlighet med WEEE-direktivet 2012/19/EU för avfall som utgörs av eller innehåller elektriska eller elektroniska produkter. Symbolen på produkten eller dess förpackning anger att produkten inte ska hanteras som vanligt hushållsavfall. Istället ska den lämnas till ett lämpligt samlingsställe för återvinning av elektrisk och elektronisk utrustning.

Genom att avfallshandtera maskinen på ett korrekt sätt förhindrar du att den inverkar negativt på miljön och människors hälsa, vilket kan vara fallet om den avfallshandteras på ett felaktigt sätt. Kontakta lokala myndigheter som ansvarar för avfallshantering eller butiken där du köpte produkten, för mer information om hur du återvinner maskinen.

SNABBSTART

Snabbstart

Före tvätt

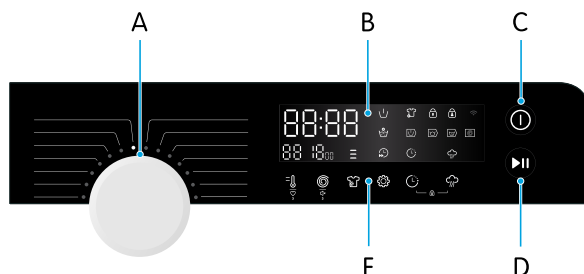
Tvätt

Efter tvätt

KOMMA IGÅNG

Lär känna din nya tvättmaskin

Reglage



- A. Programväljare
- B. Display
- C. På/Av
- D. Start/paus
- E. Alternativ, inställningar och funktioner

Symboler på displayen



Förtvätt



Omstart



Lucklås



Barnlås



Extra sköljning



Cykelfas: Förtvätt



Cykelfas: Tvätt



Cykelfas: Sköljning



Cykelfas:
Centrifugering



Snabbtvätt

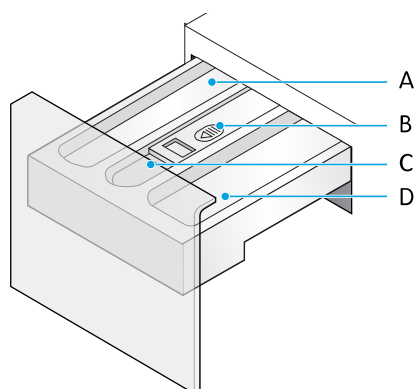


Fördröjning



SpaCare

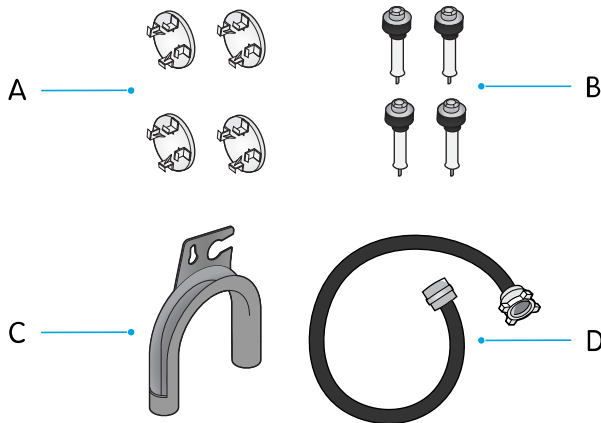
Tvättmedelsfack



- A. Tvättmedel huvudtvätt
- B. Tvättmedelslås (tryck ner för att dra ut facket)
- C. Sköljmedel
- D. Tvättmedel förtvätt

**VARNING!**

Det är förbjudet att använda brandfarliga och explosiva eller giftiga lösningsmedel. Bensin, alkohol och liknande vätskor får inte användas som tvättmedel. Använd endast tvättmedel avsedda för maskintvätt.

Tillbehör

- A. Transporthåpluggar
- B. Transportskruvar
- C. Hållare till avloppsslang
- D. Inloppsslang

Transporthåpluggar

För att plugga igen hålen efter att transportskruvarna tagits bort.

Transportskruvar

För att säkra maskinen under transporten.

Hållare till avloppsslang

För att säkra slangen och undvika knickar, t.ex. när du drar slangen över kanten på en vask.

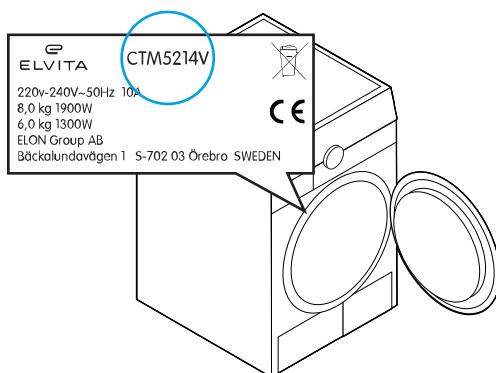
Inloppsslang

För att ansluta maskinen till vattentillförseln.

Använd barnlåset

Aktivera barnlåset för att undvika att barn använder maskinen av misstag.

1. Peka på och håll och i 3 sekunder tills du hör en ljudsignal. Nu är alla knappar utom låsta.
2. Tryck och håll in och i 3 sekunder för att inaktivera barnlåset.
OBS! Barnlåset inaktiveras inte om strömmen stängs av och slås på.

Hitta modellkoden





Modellkoden är tryckt på en etikett på produkten. Du behöver koden för att hitta den mest fullständiga och aktuella informationen, service och support för din produktmodell.

**OBS!**

Den här produkten och etiketttexten är exempel. Din produkt och text kan ha ett annat utseende och innehåll.

Innan första användning

Kalibrera maskinen

1. Se till att maskinen är tom.
2. Anslut strömsladden.
3. Tryck på  för att slå på maskinen.
4. Inom 10 sekunder efter att maskinen slagits på, pekar du och håller  och  intryckt tills **t19** visas.
5. Tryck .

OBS! Kalibreringen har slutförts när trumman slutar rotera och siffrorna visas.

Kör en tom tvättcykel

Säkerställ att maskinen har installerats och kalibrerats korrekt.

1. Anslut strömsladden.
2. Öppna vattenkranen.
3. Starta ett tvättprogram.

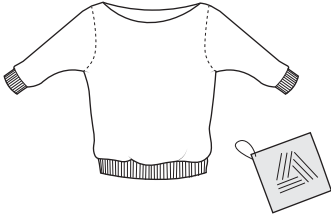
OBS! Lägg inte några kläder i maskinen.

Maskinen är redo för användning när programmet har slutförts.

TVÄTT

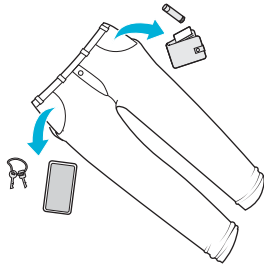
Före varje tvätt

1. Kontrollera klädvårdsmärkningen.

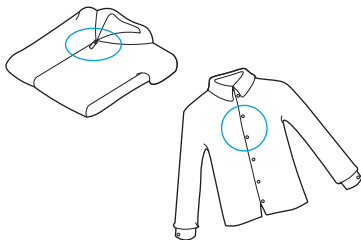


2. Ta bort alla föremål från fickorna.

FÖRSIKTIGHET! Vassa och fasta föremål som t.ex. mynt, smycken, spikar, skruvar eller stenar kan orsaka allvarliga skador på tvättmaskinen.



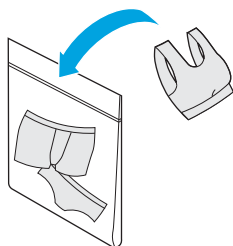
3. Knyt fast eventuella remmar, dra upp alla dragkedjor och knäpp alla knappar.



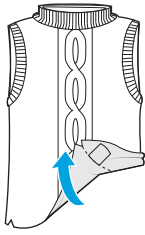
4. Placera små föremål i en tvättpåse.



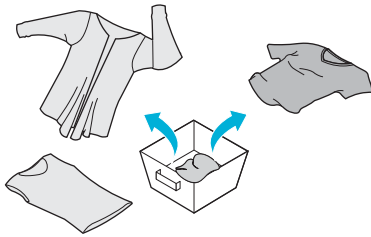
Du kan även använda ett örngott.



5. Vräng plagg med luddande och långhårigt tyg



6. Separera kläderna beroende på typen av textil.



Starta tvätten



FÖRSIKTIGHET!



Försäkra dig om att maskinen är korrekt installerad innan du börjar tvätta.



OBS!

Spara energi och vatten.

- Tvätta med full last för att spara energi och vatten. Den maximala kapaciteten beror på programmet.
- Normalt sett förbrukar ett program med en lägre temperatur och en längre varaktighet mindre energi.

1. Tryck på  för att slå på strömmen.
2. Lägg till kläder.
3. Välj ett program genom att vrida programväljaren.
4. Välj inställningar och alternativ vid behov.
5. Lägg till tvättmedel och sköljmedel i tvättmedelsfacket efter behov.
OBS! Säkerställ att du använder ett tvättmedel som är lämpligt för den tvätt som du tvättar, och välj ett lämpligt program och temperatur.
6. Tryck på  för att starta programmet.

När programmet har slutförts avges en ljudsignal och **End** visas.



VARNING!

- Fyll inte på vatten manuellt under pågående program.
- Vänta två minuter efter att tvättprogrammet slutförts innan du öppnar luckan.
- Kontrollera att det inte finns något vatten i trumman innan du öppnar luckan. Öppna inte luckan om du ser vatten i trumman.
- Var försiktig så att du inte bränner dig när varmt vatten töms ut från maskinen.

Alternativ, inställningar och funktioner

Alternativ, inställningar och funktioner

Barnlås



Förhindrar att maskinen används av misstag. Se avsnitt "Använd barnlåset", [sida 102](#).

Fördröjning



Fördröjer diskprogrammets start med en angiven tid.

Extra sköljning, förtvätt, snabbtvätt



- Extra sköljning: Ger tvätten en extra sköljning.
- Förtvätt: Lägger till en extra tvätt före huvudtvätten. Detta hjälper till att dra ut smutsen till klädernas yta.
- Snabbtvätt: Minskar tvättiden.

Omstart



Lägg till tvätt under en tvätt.

Nedsmutsningsnivå



Ställer in en nedsmutsningsnivå. Tvättiden ökar vid högre nivåer.

SpaCare



Behandlar tvätten med ånga för förbättrade tvättprestanda.

Centrifugeringsvarvtal, ljud av/ljud på



- Centrifugeringsvarvtal: Justerar centrifugeringsvarvtalet.
- Ljud av/ljud på: Stänger av och slår på ljudsignalen.

Temperatur, Mitt val



- Temperatur: Justerar temperaturen.
- Mitt val: Sparar dina favoritkombinationer med tvättprogram och alternativ.


Ändra nedsmutsningsnivån

1. Tryck på  för att bläddra genom tillgängliga nivåer, från lätt smutsat till kraftigt smutsat:   

**OBS!**

Högre smutsnivåer ökar tvättiden, vilket indikeras på displayen.

Ändra centrifugeringsvarvtalet

1. Peka på  för att växla mellan de olika varvtalen: (0, 400, 600, 800, 1000, 1200, 1400)


**OBS!**

När indikatorlamporna för centrifugeringsvarvtal är släckta är centrifugeringsvarvtalet 0.



**OBS!**

Ett högre centrifugeringsvarvtal skapar mer buller och medför en lägre kvarvarande andel fukt.

Ändra temperaturen

1. Välj ett program genom att vrida programväljaren.
2. Peka på  för att växla mellan de olika temperaturerna: (kall, 20 °C, 30 °C, 40 °C, 60 °C, 90 °C)

Använd alternativet Fördröjning

1. Välj ett program genom att vrida programväljaren.
2. Ändra inställningar och välj alternativ vid behov.
3. Peka på  för att växla mellan de olika fördröjningstiderna.
4. Tryck på .
Tvättcykeln startar när fördröjningstiden har gått.



Du kan avbryta fördröjningstimern genom att peka på  för att bläddra genom de olika fördröjningstiderna tills displayen visar 0H.





Använd alternativet Extra sköljning

1. Välj ett program genom att vrida programväljaren.
2. Peka på  för att bläddra igenom alternativen tills  visas.
OBS! Extra sköljning kan användas tillsammans med Förtvätt alternativ. Bläddra igenom alternativen tills både  och  visas.
3. Tryck .

Använd alternativet Förtvätt

**OBS!**

Fyll på tvättmedel för förtvätt om du väljer det här alternativet. Se avsnitt "Tvättmedelsfack", [sida 101](#).

1. Välj ett program genom att vrida programväljaren.
2. Peka på  för att bläddra igenom alternativen tills  visas.
OBS! Förtvätt kan användas tillsammans med Extra sköljning alternativ. Bläddra igenom alternativen tills både  och  visas.
3. Tryck .



Använd alternativet SpaCare

Det här alternativet är tillgängligt med programmen Bomull, Babykläder, Sänglinne och Mixade material.






OBS!

SpaCare använder ånga för att förbättra tvättresultatet. I början av tvättcykeln hettas vattnet upp till 70 °C för att skapa ånga i trumman.


1. Välj ett program genom att vrida programväljaren.
2. Tryck på .
3. Tryck .


Använd alternativet Snabbtvätt

1. Välj ett program genom att vrida programväljaren.
2. Peka på  för att bläddra igenom alternativen tills  visas.
3. Tryck .

Använd funktionen Mitt val

Du kan spara program du använder ofta för snabbåtkomst. Standardprogrammet är Bomull.

1. Välj ett program samt de inställningar och alternativ du vill använda.
2. Håll in  i tre sekunder för att lägga till det aktuella programmet och inställningarna i minnet.

Programmet och inställningarna har nu sparats och kan väljas genom att vrida programväljaren till **Mitt val** .

Lägg i tvätt i efterhand – lägg till tvätt under en tvätt

Du kan lägga till mer tvätt i en pågående tvätt genom att först pausa programmet.



WARNING!

Använd inte den här funktionen när vattennivån är högre än kanten på den inre trumman eller om du kör tvättprogram med hög temperatur.



1. Håll in  i tre sekunder.
 visas.
2. Vänta tills trumman slutat rotera och luckan har låsts upp.
WARNING! Om trumman fortfarande roterar och det finns mycket varmt vatten i den, är det inte säkert att öppna luckan och luckan kan inte öppnas med kraft.
3. Stäng luckan när du har fyllt på tvätt.
4. Tryck på  för att återuppta tvätten.

Stäng av och slå på ljudsignalen



OBS!

Ljudsignalen hörs inte när den är avstängd.

1. Håll in  i tre sekunder för att stänga av ljudsignalen.
2. Håll in  i tre sekunder för att slå på ljudsignalen.

Inställningen sparas till nästa återställning.

Tvättprogram

20 °C

20 °C som förvald temperatur. Du kan även välja kallvatten.

Förvald temperatur	20 °C
Förvald tid	1:01
Förvalt varvtal	1000 varv/min
Maximal last, tvätt	8,0 kg
Tvättmedel förtvätt	-
Tvättmedel huvudtvätt	Obligatoriskt
Sköljmedel	Valfritt
Tillval	<ul style="list-style-type: none"> • Fördröjning • Extra sköljning

Babykläder

Håller tvättemperaturen över 60 °C i mer än 30 minuter, för att avlägsna skadliga bakterier.

Förvald temperatur	60 °C
Förvald tid	1:42
Förvalt varvtal	800 varv/min
Maximal last, tvätt	8,0 kg
Tvättmedel förtvätt	Valfritt
Tvättmedel huvudtvätt	Obligatoriskt
Sköljmedel	Valfritt
Tillval	<ul style="list-style-type: none"> • Fördröjning • Extra sköljning • Förtvätt • Nedsmutsningsnivå • SpaCare • Snabbtvätt

Sänglinne

För sänglinne, lakan eller andra stora saker.

Förvald temperatur	40 °C
Förvald tid	1:48
Förvalt varvtal	1000 varv/min

Maximal last, tvätt	8,0 kg
Tvättmedel förtvätt	Valfritt
Tvättmedel huvudtvätt	Obligatoriskt
Sköljmedel	Valfritt
Tillval	<ul style="list-style-type: none"> • Fördröjning • Extra sköljning • Förtvätt • Nedsmutsningsnivå • SpaCare • Snabbtvätt

Bomull

För slitstarka, värmebeständiga textilier av bomull eller linne.

Förvald temperatur	40 °C
Förvald tid	3:39
Förvalt varvtal	1400 varv/min
Maximal last, tvätt	8,0 kg
Tvättmedel förtvätt	Valfritt
Tvättmedel huvudtvätt	Obligatoriskt
Sköljmedel	Valfritt
Tillval	<ul style="list-style-type: none"> • Fördröjning • Extra sköljning • Förtvätt • Nedsmutsningsnivå • SpaCare • Snabbtvätt

Trumrengöring

Rengör maskinens trumma vid 90 °C. Ska inte användas för tvätt.



För att öka rengöringseffekten kan du använda ett klorbaserat blekmedel som är avsett för tvättmaskiner. Följ de instruktioner som lämnas av blekmedlets tillverkare.

Förvald temperatur	90 °C
Förvald tid	1:18
Förvalt varvtal	-
Maximal last, tvätt	-
Tvättmedel förtvätt	-
Tvättmedel huvudtvätt	-
Sköljmedel	-
Tillval	<ul style="list-style-type: none"> • Fördröjning

ECO 40-60

Rekommenderas för normalt smutsad bomullstvätt.

**OBS!**

Detta program klarar av att tvätta tvätt som anges vara tvättbar vid 40 °C eller 60 °C i ett steg i samma cykel.

Förvald temperatur	40 °C
Förvald tid	3:32
Förvalt varvtal	1400 varv/min
Maximal last, tvätt	8,0 kg
Tvättmedel förtvätt	-
Tvättmedel huvudtvätt	Obligatoriskt
Sköljmedel	Valfritt
Tillval	<ul style="list-style-type: none"> Fördröjning

Intensiv

Tvättiden ökas för en bättre tvätteffekt.

Förvald temperatur	40 °C
Förvald tid	3:48
Förvalt varvtal	800 varv/min
Maximal last, tvätt	8,0 kg
Tvättmedel förtvätt	-
Tvättmedel huvudtvätt	Obligatoriskt
Sköljmedel	Valfritt
Tillval	<ul style="list-style-type: none"> Fördröjning

Mixade material

Plagg med mixade material av bomull och syntet.

Förvald temperatur	40 °C
Förvald tid	1:20
Förvalt varvtal	800 varv/min
Maximal last, tvätt	8,0 kg
Tvättmedel förtvätt	Valfritt
Tvättmedel huvudtvätt	Obligatoriskt
Sköljmedel	Valfritt
Tillval	<ul style="list-style-type: none"> Fördröjning Extra sköljning Förtvätt SpaCare Snabbtvätt

Mitt val

Definiera och spara din favoritkombination av tvättprogram och alternativ. Se avsnitt "Använd funktionen Mitt val", [sida 108](#).

Centrifugering

Extra centrifugering med valbart centrifugeringsvarvtal.

Förvald temperatur	-
Förvald tid	0:12
Förvalt varvtal	1000 varv/min
Maximal last, tvätt	8,0 kg
Tvättmedel förtvätt	-
Tvättmedel huvudtvätt	-
Sköljmedel	-
Tillval	<ul style="list-style-type: none"> Fördröjning

Syntet

För syntetplagg som t.ex. skjortor, jackor och blandade tyger. Minska mängden tvättmedel när du tvättar stickade plagg, för att undvika stora mängder lödder.

Förvald temperatur	40 °C
Förvald tid	3:18
Förvalt varvtal	1200 varv/min
Maximal last, tvätt	4,0 kg
Tvättmedel förtvätt	Valfritt
Tvättmedel huvudtvätt	Obligatoriskt
Sköljmedel	Valfritt
Tillval	<ul style="list-style-type: none"> Fördröjning Extra sköljning Förtvätt Nedsmutsningsnivå

Kort 15 min

Extrakort program. Lämpligt för små mängder lätt smutsad tvätt.

Förvald temperatur	Kall
Förvald tid	0:15
Förvalt varvtal	800 varv/min
Maximal last, tvätt	2,0 kg
Tvättmedel förtvätt	-
Tvättmedel huvudtvätt	Obligatoriskt

Sköljmedel	Valfritt
Tillval	<ul style="list-style-type: none"> Fördröjning

Sköljprogram

Extra sköljning och centrifugering.

Förvald temperatur	-
Förvald tid	0:20
Förvalt varvtal	1000 varv/min
Maximal last, tvätt	8,0 kg
Tvättmedel förtvätt	-
Tvättmedel huvudtvätt	-
Sköljmedel	Valfritt
Tillval	<ul style="list-style-type: none"> Fördröjning Extra sköljning

Ylle

Hand- eller maskintvättbara textilier av ylle eller med högt ullinnehåll. Skonsamt tvättprogram för att förhindra att kläderna krymper. Inkluderar långa perioder utan att trumman roterar.

Förvald temperatur	40 °C
Förvald tid	1:07
Förvalt varvtal	600 varv/min
Maximal last, tvätt	2,0 kg
Tvättmedel förtvätt	-
Tvättmedel huvudtvätt	Obligatoriskt
Sköljmedel	Valfritt
Tillval	<ul style="list-style-type: none"> Fördröjning Extra sköljning

RENGÖRING

Korrekt underhåll av produkten kan öka dess livslängd.

Använd kalkborttagningsmedel för tvättmaskiner vid behov. Följ de instruktioner som lämnas av borttagningsmedlets tillverkare.

**VARNING!**

Koppla från maskinen från elnätet och stäng kranen innan du påbörjar underhåll.

**FÖRSIKTIGHET!**

Använd inte alkohol, lösningsmedel eller kemikalier för att rengöra produkten.

Rengör utsidan

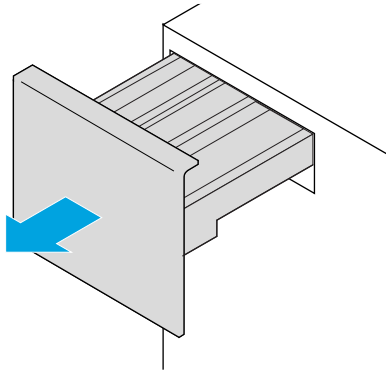
- Rengör ytan med utspätt icke slipande rengöringsmedel vid behov.
- Torka omedelbart bort eventuellt utspillt vatten med en trasa.

**FÖRSIKTIGHET!**

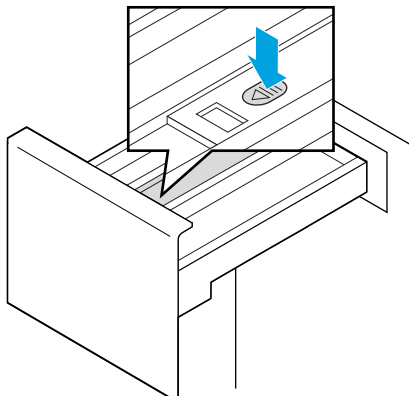
- Använd inte vassa verktyg vid rengöring.
- Använd inte myrsyra eller lösningsmedel som till exempel alkohol eller andra kemikalier.

Rengör tvättmedelsfacket

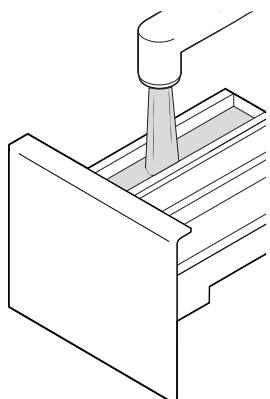
1. Öppna facket.



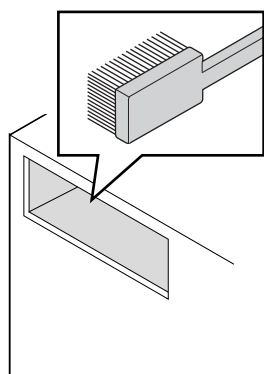
2. Tryck ner knappen och dra ut facket.



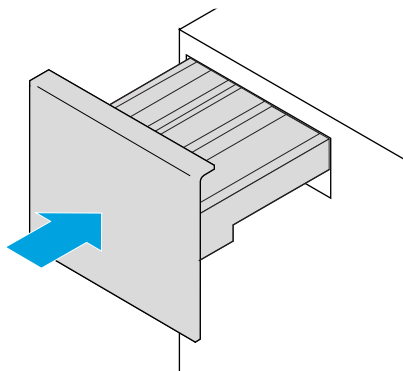
3. Rengör facket med vatten.



4. Rengör inuti fördjupningen med en gammal tandborste.



5. Sätt i facket.



Rengör trumman

- Ta omedelbart eventuell rost som orsakats av metalledlar i trumman.

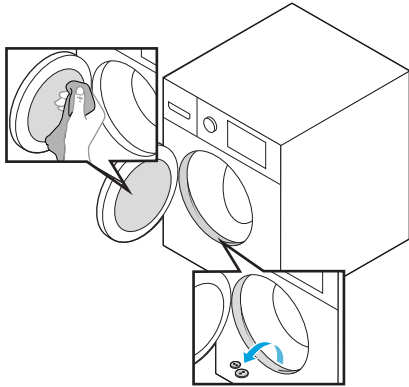


FÖRSIKTIGHET!

- Använd klorfritt tvättmedel.
 - Använd inte stålull.
- Kör programmet för rengöring av trumman vid behov. Se avsnitt "Drum clean Trommelreinigung Trumrengöring Trommelrengjøring Tromlerengøring Rummun puhdistus Prif tromlu", [sida 110](#).

Rengör luckans tätning och glas

Gör detta efter varje tvätt.



- Torka av glaset och tätningen för att avlägsna ludd och fläckar.

**OBS!**

Om ludd ansamlas kan det orsaka läckor.

- Ta bort eventuell mynt, knappar eller andra föremål från tätningen.

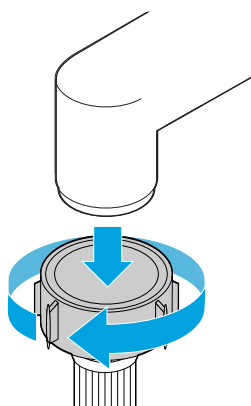
**FÖRSIKTIGHET!**

- Använd klorfritt tvättmedel.
- Använd inte stålull.

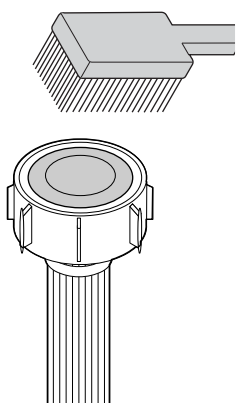
Rengör vattenkranens inloppsfilter

Rengör kranfiltret var tredje månad. Om vattentillförseln blockerats måste kranfiltren rengöras.

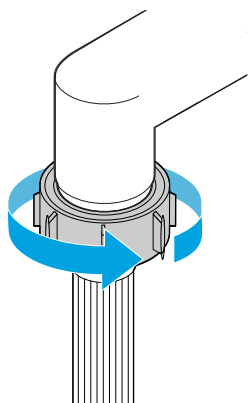
1. Vrid av kranen och ta bort inloppsslangen från kranen.



2. Rengör filtret.



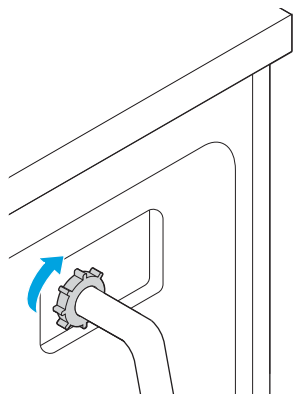
3. Sätt tillbaka inloppsslangen på kranen och vrid på kranen.



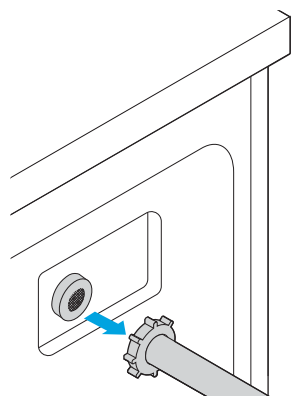
Rengör maskinens inloppsfilter

Rengör maskinens inloppsfilter var tredje månad. Om vattentillförseln blockeras måste maskinens inloppsfilter rengöras.

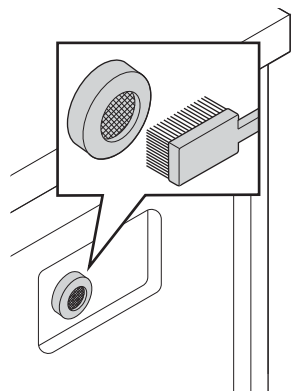
1. Vrid av kranen och skruva loss inloppsörret från maskinens baksida.



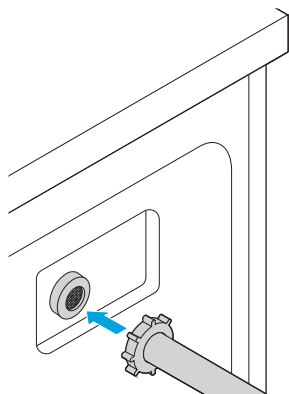
2. Ta bort inloppsörret.



3. Rengör filtret med en borste.



4. Sätt tillbaka inloppsroret och vrid på kranen.



Filtret kan tas bort och tvättas separat.

Rengör tömningspumpens filter

Tömningspumpens filter fångar upp fibrer och små föremål. Rengör filtret regelbundet för att säkerställa att maskinen fungerar korrekt.



VARNING!

Koppla från maskinen innan du rengör filtret för att undvika elstötar.



VARNING!

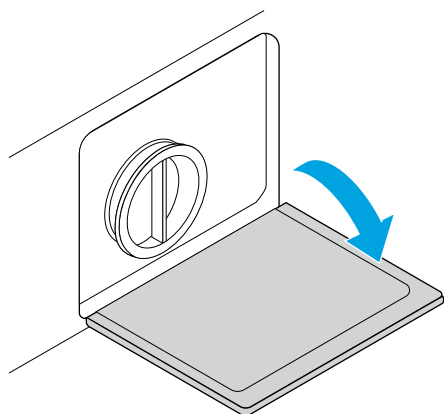
- Var försiktig. Vattnet kan vara hett!
- Låt tvättmedelslösningen svalna innan du rengör filtret.



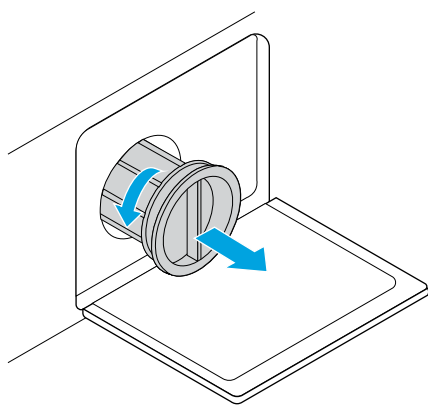
FÖRSIKTIGHET!

Ta aldrig bort pumpkåpan under en tvättcykel. Vänta alltid tills maskinen har slutfört cykeln och är tom.

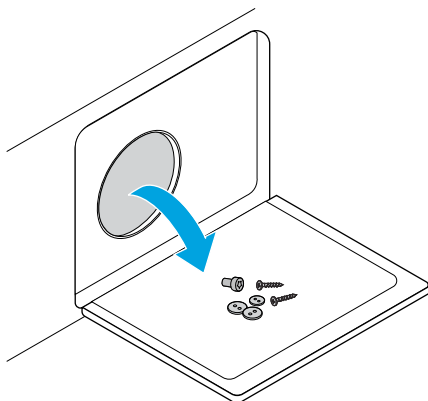
1. Öppna filterluckan.



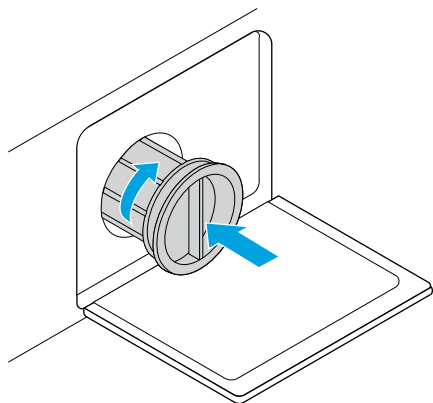
2. Vrid filtret moturs och dra ut det.



3. Avlägsna alla främmande föremål.



4. Sätt tillbaka filtret och stäng luckan.

**FÖRSIKTIGHET!**

Försäkra dig om att ventillocket är korrekt installerat (kopplingarna måste vara korrekt inriktade så att de inte läcker).

FELSÖKNING

Maskinen startar inte

Problemet kan ha olika orsaker. Följ anvisningarna för de föreslagna orsakerna för att lösa problemet.

Luckan är inte ordentligt stängd

1. Kontrollera om någon tvätt fastnat.
2. Stäng luckan och försök starta igen.

Maskinen är inte ansluten till elnätet

Anslut strömsladden till ett eluttag.

Inget program har valts

Välj ett program.

Du glömde att trycka på start/paus-knappen



Tryck på knappen.

Maskinen är inte påslagen

Slå på maskinen.

Displayen tänds inte

Problemet kan ha olika orsaker. Följ anvisningarna för de föreslagna orsakerna för att lösa problemet.

Strömförsörjningen fungerar inte

1. Kontrollera om strömförsörjningen fungerar.
2. Kontakta en behörig elektriker om den inte fungerar.

Nätkontakten är inte isatt

Anslut nätkontakten till eluttaget.

Inget program har valts

Välj ett program.

Maskinen är inte påslagen

Tryck på På/Av-knappen.



Luckan går inte att öppna

Maskinens säkerhetsspärr är aktiv

Koppla från strömmen och starta om maskinen.

Vatten läcker ut

Kopplingen mellan maskinen och inloppsroret eller avloppsslangen sitter löst

- Kontrollera och dra åt anslutningarna.
- Rengör avloppsslangen.

Rester av tvättmedel i tvättmedelsfacket

Det finns klumpar i tvättmedlet eller så är det fuktigt

Rengör och torka av tvättmedelsfacket. Se avsnitt "Rengör tvättmedelsfacket", [sida 114](#).

Indikatorn eller displayen tänds inte

Problem med elanslutningen

Försäkra dig om att strömförsörjningen är tillslagen och att stickkontakten är korrekt isatt.

Onormalt ljud

Problemet kan ha olika orsaker. Följ anvisningarna för de föreslagna orsakerna för att lösa problemet.

Transportskruvarna har inte tagits bort

Avlägsna transportskruvarna. Se avsnitt "Avlägsna transportskruvarna", [sida 128](#).

Maskinen står inte plant

Nivåjustera maskinen. Se avsnitt "Nivåjustera maskinen", [sida 130](#).

Felkoden E10 visas

Problem med vattenfyllning under tvättning

- Kontrollera om vattentrycket är för lågt.
- Räta ut vattenroret.
- Kontrollera om inloppsventilens filter är igensatt.

Felkoden E12 visas

Vatten flödar över

Starta om maskinen.

Felkoden E21 visas

Det tar för lång tid att tappa ut vatten

Kontrollera om dräneringsslangen är igensatt.

Felkoden E30 visas

Luckan stängs inte korrekt

1. Kontrollera om kläder har fastnat.
2. Stäng luckan och försök starta igen.

Felkoden EXX visas

Övriga problem

Försök igen och kontakta support om problemet kvarstår. Kontakta **Elvitas support** om du behöver hjälp med produkten.

INSTALLATION

Installera maskinen enligt instruktionerna i detta avsnitt.



VARNING!

- Om strömsladden är skadad ska den bytas av tillverkaren, tillverkarens servicerepresentant eller personer med samma behörighet (skadad strömsladd utgör en fara).
- Använd den nya slangsetsen som levererades med maskinen. Återanvänd inte den gamla slangsetsen.
- Sätt stickkontakten endast i jordat vägguttag (annars riskerar du din egen och andra personers hälsa). Försäkra dig om att vägguttaget är korrekt och tillförlitligt jordat.
- Försäkra dig om att maskinen ansluts till vatten- och strömförsörjningen av en lämplig kvalificerad person, i enlighet med tillverkarens instruktioner och lokala säkerhetsföreskrifter.



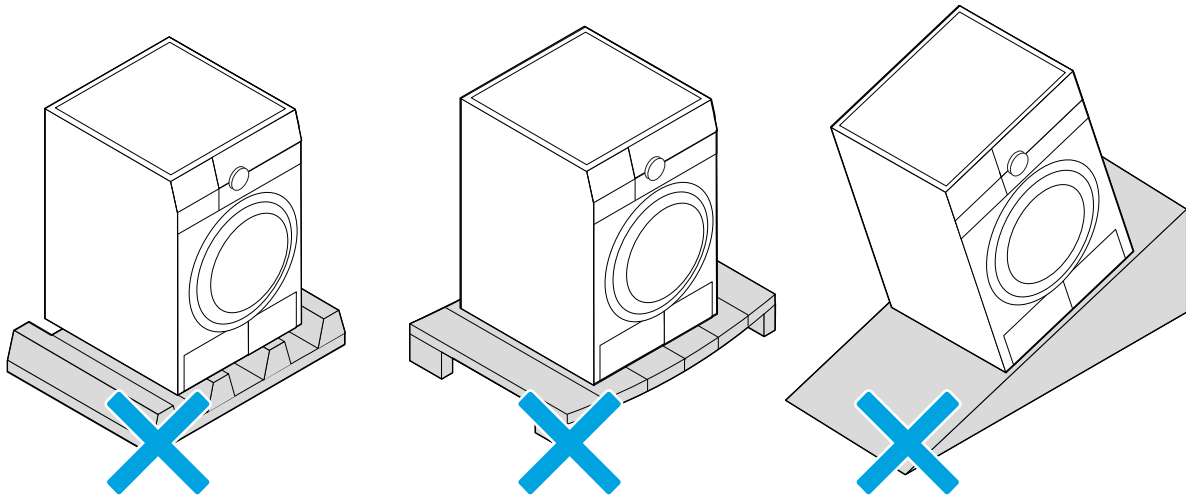
FÖRSIKTIGHET!

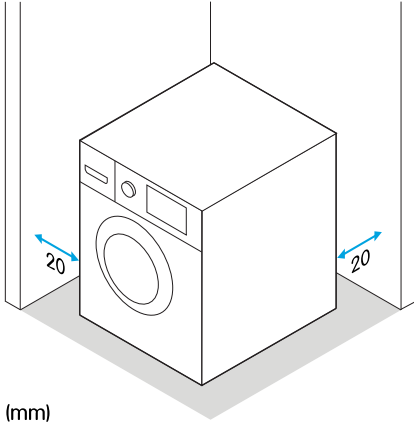
Inloppsslangen ska anslutas till en kallvattenkran.

Installationsplats

Beakta följande när du väljer en uppställningsplats för din maskin:

- Undvik direkt solljus.
- Säkerställ tillräcklig ventilation.
- Rumstemperaturen ska vara högre än 0 °C.
- Placera produkten på avstånd från värmekällor som kol- eller gaseldade enheter.
- Ytan ska vara stabil, torr och vågrät. Det är viktigt att maskinen står stabilt för att förhindra att den rör sig över golvet.





(mm)

**VARNING!**

- Försäkra dig om att maskinen inte står på strömsladden.
- Stickkontakten måste vara åtkomlig när maskinen är installerad.

**VARNING!**

Maskinen får inte användas i mycket våta rum eller i rum där det finns risk för explosiva eller frätande gaser.

**FÖRSIKTIGHET!**

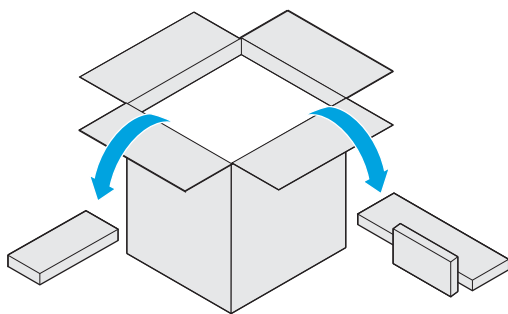
- Maskinen är endast avsedd för inomhusbruk.
- Maskinen är inte avsedd för att byggas in i ett skåp.
- Luckor och öppningar får inte blockeras av mattor.

Packa upp maskinen

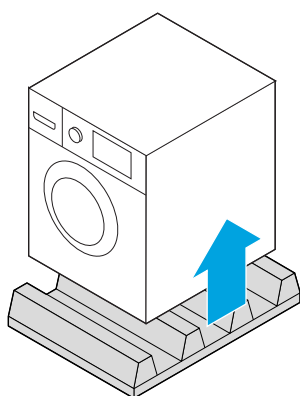
**VARNING!**

Avlägsna allt emballage och alla transportskruvar innan du använder maskinen. I annat fall finns det risk för allvarliga skador.

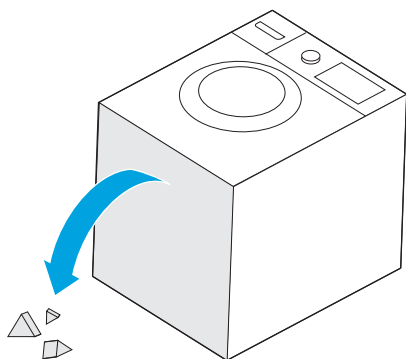
1. Avlägsna kartongen och all styrenförpackning.



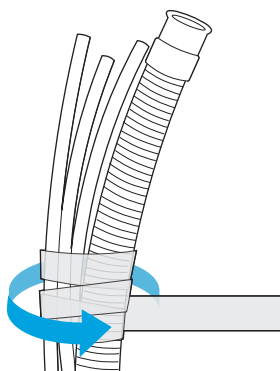
2. Lyft maskinen och dra bort förpackningen från undersidan.



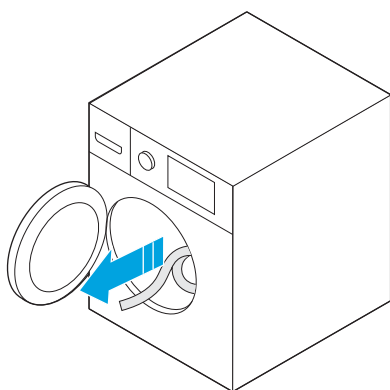
3. Lägg ner maskinen på sidan och ta bort den små triangelformade bitarna med cellplast från undersidan.



4. Ta bort tejen som håller strömladden och avloppsslangen.



5. Ta ut tillbehören från trumman.



VARNING!

Håll allt förpackningsmaterial utom räckhåll för barn. Kvävningrisk!

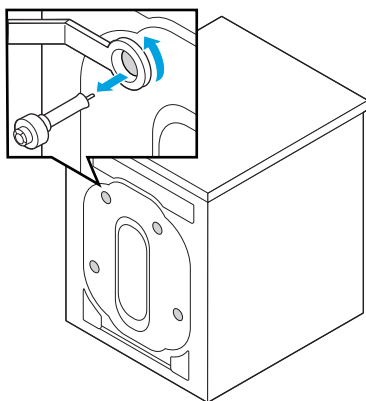
Avlägsna transportskruvarna



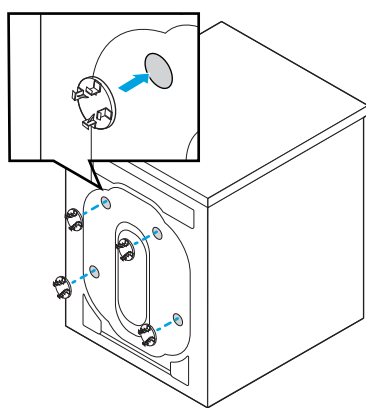
VARNING!

Skruva bort transportskruvarna från maskinens baksida innan du använder maskinen.

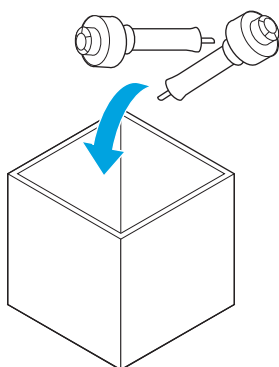
1. Lossa skruvarna med skruvnyckel och ta bort dem.



2. Plugga igen hålen med transporthålpluggarna.

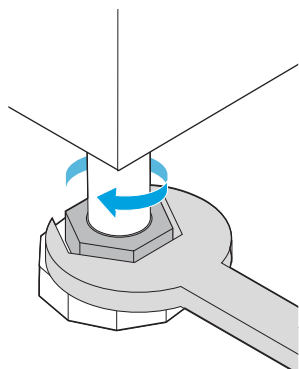


3. Förvara skruvarna på en säker plats.
OBS! Du behöver transportskruvarna igen om du vill flytta maskinen.

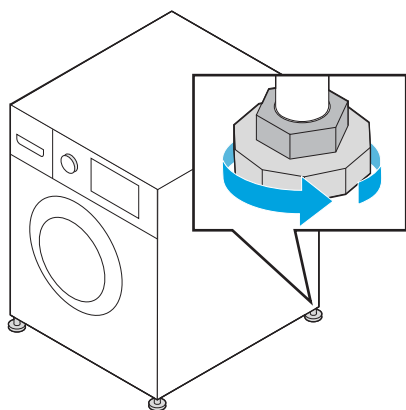


Nivåjustera maskinen

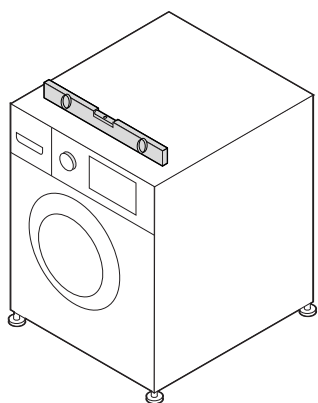
1. Lossa muttrarna och skruvarna i fötterna helt.
Kontrollera att alla fötter har kontakt med golvet.



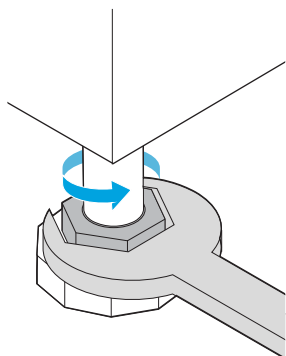
2. Om någon fot inte har kontakt med golvet, skruvar du ut foten tills den får kontakt med golvet.



3. Använd ett vattenpass för att kontrollera att tvättmaskinen är rätt justerad och justera fötterna vid behov.

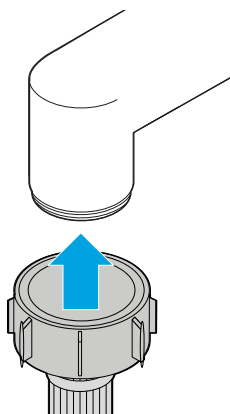


4. Dra åt muttrarna med en skruvnyckel och säkerställ att maskinen står stabilt.
VARNING! Dra åt låsmuttrarna på samtliga fyra fötter så att de sitter fast ordentligt mot höljet.

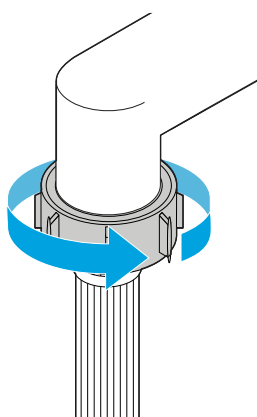


Anslut inloppsslangen till en vattenkran

1. Lyft upp slangen mot kranen.

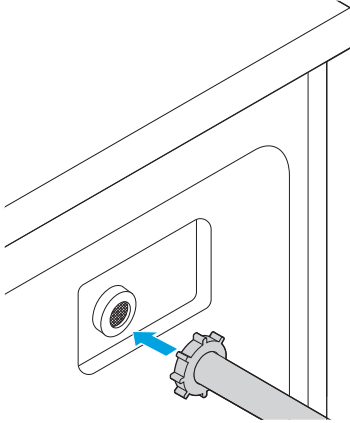


2. Skruva fast kopplingen på kranens gängor.

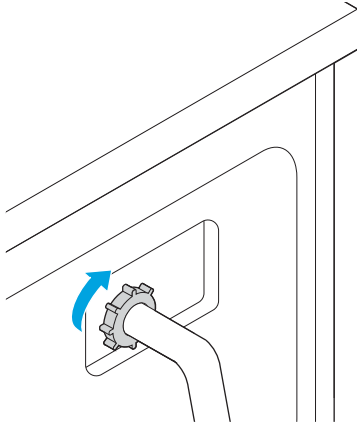


Anslut inloppsslangen till maskinen

1. Lyft upp inloppsslangen till inloppsventilen på maskinens baksida.



2. Skruva fast kopplingen på kranens gängor tills den sitter tätt.



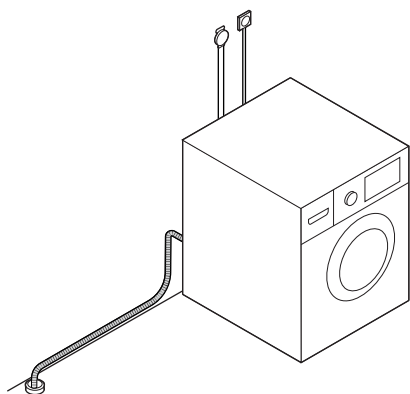
Anslut till ett externt avlopp



FÖRSIKTIGHET!

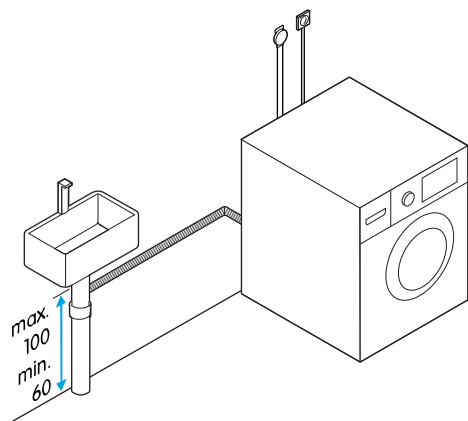
- Vik eller töj inte avloppsslangen.
- Sätt avloppsslangen så den inte skadas. En skadad slang orsakar vattenläckage.
- Sänk inte ned avlopps slangens ände i avloppsvattnet. Om du sänker ner slangens ände riskerar avloppet att inte fungera korrekt och orsaka att avloppsvatten sugas tillbaka i maskinen.

Sätt avloppsslangen i ett golvavlopp



Anslut avloppsslangen till ett avlopp

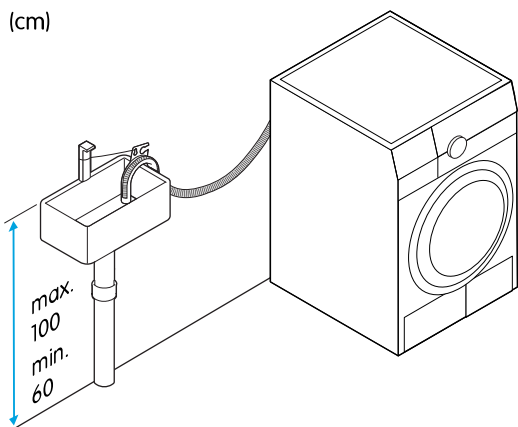
(cm)



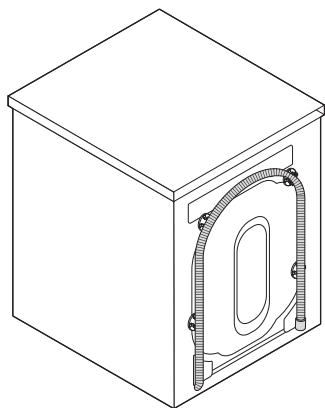
Sätt avloppsslangen i en vask

Använd hållaren till avloppsslangen för att hålla slagen böjd nedåt i vasken utan att knickas.

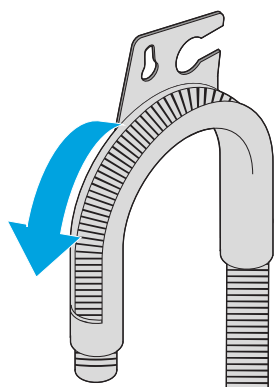
(cm)



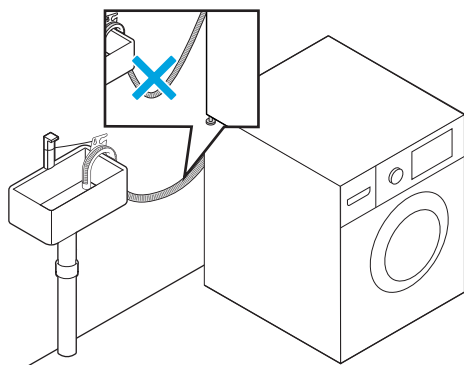
1. Avlägsna försiktigt avloppsslangen från klämmorna.



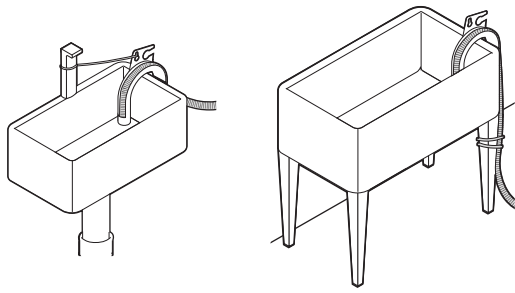
2. Sätt in avloppsslangen i slanghållaren.



3. Häng slanghållaren över vaskens kant.



4. Säkra avloppsslangen mot vasken med en rem, klämma eller ett buntband.



BILAGA

Tekniska specifikationer


OBS!

Värdet på den nominella kapaciteten avser vikten hos torr tvätt.

Modellkod	Se avsnitt "Hitta modellkoden", sida 102
Bredd	595 mm
Djup	565 mm
Höjd	850 mm
Vikt	68 kg
Nominell kapacitet	8 kg
Max. centrifugeringsvarvtal	1400 varv/min
Strömförsörjning	220-240 V, 50 Hz
Maximal spänning	10 A
Märkeffekt	2000 W
Standardvattentryck	0,05 MPa ~ 1 MPa

Energieffektivitet

Du hittar information om denna maskins energieffektivitet i EPREL, den europeiska databasen för energimärkta produkter. Besök EPREL:s webbplats och använd modellens identifikationskod för att hitta information. Du hittar modellens identifikationskod på den energidekal som medföljde maskinen.

EPREL:s webbplats: <https://eprel.ec.europa.eu/>



Förbrukningsvärden

Faktiska värden för en tvättcykel kan variera sig från de värden som presenteras här. Värden för andra program än ECO 40-60 -programmet är ungefärliga.

Program	Tvättlast när värdena uppnåddes (nominell kapacitet för det specifika programmet om inget annat anges) (kg)	Programmets varaktighet (timmar:minuter)	Energiförbrukning (kWh per cykel)	Vattenförbrukning (liter per cykel)	Maxtemperatur uppnådd i minst 5 minuter i tvätten under tvättcykeln (°C)	Kvarvarande fuktinnehåll och rotationshastighet (varv/min) där värdena uppnåddes
20 °C	4,0	1:01	0,183	44	20	65 % / 1000
Bomull (60 °C)	8,0	3:39	1,120	71	40	53 % / 1400
ECO 40-60	8,0 (Nominell kapacitet)	3:38	0,857	59	34	53 % / 1400
	4,0 (Hälften av den nominella kapaciteten)	2:48	0,504	46	29	53 % / 1400
	2,0 (En fjärdedel av den nominella kapaciteten)	2:48	0,240	37	21	53 % / 1400
Intensiv	8,0	3:48	1,136	71	40	70 % / 800
Mixade material	8,0	1:20	0,754	71	40	65 % / 1000
Kort 15 min	2,0	0:15	0,030	40	15	75 % / 800

EU-direktiv och standarder

Denna produkt uppfyller kraven i tillämpliga EU-direktiv och EU-förordningar och är CE-märkt. EU-försäkran om överensstämmelse är tillgänglig på begäran om den inte medföljer produkten.

- Produktens prestanda har testats i enlighet med standarden EN 60456 för tvättmaskiner.
- Avseende EU-förordningen 2019/2023, energitestprogram: ECO 40-60; övriga inställningar: förval.

Innhold

SIKKERHET	142
Advarsler	142
Bruksområde	142
Sikkerhet for barn og personer med nedsatt funksjonsevne	142
Generell sikkerhet	143
Sikkerhet under montering	143
Sikkerhet under bruk	144
Sikkerhet under vedlikehold	145
Kassering	145
HURTIGSTART	146
Hurtigstart	146
KOMME I GANG	147
Bli kjent med vaskemaskinen	147
Betjeningselementer	147
Symboler på displayet	147
Vaskemiddeldispenser	147
Tilbehør	148
Bruke barnesikringen	148
Finne modellkoden	148
Før første gangs bruk	149
Kalibrere maskinen	149
Kjøre en tom vaskesyklus	149
VASK	150
Før hver vask	150
Starte vaskingen	151
Alternativer, innstillinger og funksjoner	152
Alternativer, innstillinger og funksjoner	152
Endre smussnivå	153
Justerer sentrifugeringsturtallet	153
Endre temperaturen	153
Bruke Utsettelse-funksjonen	153
Bruke Ekstra skylling-funksjonen	153
Bruke Forvask-funksjonen	153
Bruke SpaCare-funksjonen	154
Bruke Hurtigvask-funksjonen	154
Bruke Mitt valg-funksjonen	154
Last på nytt – legg til tøy mens en vask pågår	154
Dempe og oppheve demping av lydsignalet	154
Vaskeprogrammer	155
20 °C	155
Babyklær	155

Sengetøy	155
Bomull	156
Trommelrengjøring	156
ECO 40-60	157
Intensiv	157
Blandede materialer	157
Mitt valg	158
Sentrifugering	158
Syntetisk	158
Kort 15 min	158
Skylleprogram	159
Ull	159
RENGJØRING	160
Utvendig rengjøring	160
Rengjøre vaskemiddeldispenseren	160
Rengjøre trommelen	161
Rengjør dørtetningen og glasset	162
Rengjøre kraninntaksfilteret	162
Rengjøre maskininntaksfilteret	163
Rengjøre tømmepumpefilteret	165
FEILSØKING	168
Maskinen starter ikke	168
Displayet tennes ikke	168
Døren kan ikke åpnes	168
Det lekker vann	169
Vaskemiddelrester i dispenseren	169
Indikatoren eller displayet tennes ikke	169
Unormal støy	169
Feilkoden E10 vises	169
Feilkoden E12 vises	169
Feilkoden E21 vises	169
Feilkoden E30 vises	170
Feilkoden EXX vises	170
INSTALLERING	171
Installasjonsområde	171
Pakke ut maskinen	172
Fjerne transportboltene	174
Vatre maskinen	176
Koble vannforsyningsslangen til en vannkran	177
Koble vannforsyningsslangen til maskinen	178
Koble til et eksternt avløp	178
Plassere tømme slangen i et gulvsluk	179
Koble tømme slangen til et avløp	179

Plassere tømme­slangen i en vask	179
TILLEGG	182
Tekniske spesifikasjoner	182
Forbruksverdier	182
EU-direktiver og standarder	183

SIKKERHET

Les anvisningene nøye før du installerer produktet og tar det i bruk. Ta vare på anvisningene og oppbevar dem i nærheten av produktet for fremtidig bruk. Alle garantier blir ugyldige hvis disse anvisningene ikke følges.

Advarsler

**ADVARSEL!**

Brukes hvis det er risiko for personskade.

**OBS!**

Brukes hvis det er risiko for skade på produktet.

**NB:**

Generell informasjon som du må være oppmerksom på.



Nyttige tips som kan være til hjelp.

Bruksområde

Dette produktet er kun ment for:

- Innendørs bruk i husholdninger eller husholdningsmiljøer, for eksempel:
 - - kjøkkenområder for ansatte i butikker, kontorer og andre arbeidsmiljøer;
 - familieboliger;
 - av gjester på hoteller, moteller og tilsvarende overnattingssteder;
 - pensjonater.
- Vask av maskinvaskbare klær og tekstiler i en oppløsning med vaskemiddel.
- Vask med kommersielt tilgjengelig, lavtskummende vaskemiddel og pleieprodukter som er egnet for bruk i en frontlastet vaskemaskin eller vaskemaskin/tørketrommel.

Produktet er ikke ment for innbygging i skap.

Sikkerhet for barn og personer med nedsatt funksjonsevne

**ADVARSEL!**

Følgende grupper skal kun bruke produktet hvis de er under tilsyn eller har fått anvisninger om hvordan produktet brukes på en trygg måte. De må forstå farene som er involvert.

- Barn. (Barn under 8 år skal være under kontinuerlig tilsyn.)
- Personer med nedsatte fysisk, sansemessig eller mental kapasitet.
- Personer med manglende erfaring og kunnskap.

**ADVARSEL!**

- Ikke la barn leke med produktet.
- Ikke la barn rengjøre produktet uten tilsyn.

**ADVARSEL!**

Det er risiko for at dyr eller barn klatrer inn i produktet. Kontroller alltid innsiden før bruk.

**ADVARSEL!**

Glassdøren kan bli svært varm under bruk. Hold barn og kjæledyr borte fra produktet når det er i drift.

Generell sikkerhet

**ADVARSEL!**

- Ikke vask eller tørk gjenstander som er rengjort, vasket eller bløtlagt i eller fuktet med brann- eller eksplosjonsfarlige stoffer, som voks, olje, maling, bensin, avfettingsmiddel, løsemidler for tørrensing, parafin osv. Det kan føre til brann eller eksplosjon.
- Skyll eventuelle slike gjenstander for hånd før de vaskes.

**ADVARSEL!**

Risiko for elektrisk støt!

- Dersom ledningen blir skadd, må den skiftes av fabrikanten, dennes servicerepresentant eller tilsvarende kvalifiserte personer for å unngå fare.
- Hvis maskinen er skadet, får den ikke betjenes før den har blitt reparert av produsenten, en servicetekniker fra produsenten eller en tilsvarende kvalifisert person.
- Trekk støpselet ut av stikkontakten før det utføres rengjøring eller vedlikehold av produktet.
- Ikke bruk en stikkontakt med lavere nominell strømkapasitet enn det produktet krever.
- Trekk aldri støpselet ut av stikkontakten med våte hender.

**OBS!**

- Unngå å klatre eller sitte på produktet.
- Ikke len deg mot døren på produktet.
- Ikke bruk overdreven makt når døren lukkes. Kontroller at døren ikke hindres av klesvask hvis det er vanskelig å lukke døren.
- Ryer skal ikke vaskes i produktet.

**OBS!**

Når produktet flyttes:

- Transportboltene må monteres i maskinen igjen av en kvalifisert person.
- Eventuelt vann i produktet må tappes ut.
- Hånder produktet forsiktig. Hold aldri i utstikkende deler av maskinen når den løftes.
- Ikke bruk døren på produktet til å løfte det under transport.
- Dette produktet er tungt. Transporteres forsiktig.

Sikkerhet under montering

**ADVARSEL!**

Kontroller om det finnes utvendig synlig skade før produktet monteres. Ikke monter eller bruk et skadet produkt.

**ADVARSEL!**

Ikke monter maskinen

- i et baderom der det er risiko for direkte kontakt med vann, for eksempel vannsprut fra dusjen eller vann fra badekaret, eller i svært våte rom eller rom med høy luftfuktighet;
- i et rom med eksplosjonsfarlige eller kaustiske gasser; eller
- bak en låsbar dør, en skyvedør eller en dør med hengsler på motsatt side av produktet.

**ADVARSEL!**

Det må være tilstrekkelig ventilasjon for å unngå at gasser strømmer tilbake i rommet fra apparater som forbrenner brennstoff, inkludert åpen ild.

**ADVARSEL!**

- Fjern all emballasje og transportboltene før produktet brukes. Ellers kan det oppstå alvorlig skade.
- Hold all emballasje borte fra barn. Kvelningsfare kan forekomme!

**ADVARSEL!**

- Produktet skal kobles til vann- og strømforsyning av en kvalifisert person og i samsvar med produsentens instruksjoner og lokale sikkerhetsbestemmelser.
- Hvis ledningen blir skadd, må den skiftes av fabrikanten, fabrikantens servicerepresentant eller tilsvarende kvalifiserte personer for å unngå fare.
- Støpselet skal kobles til en jordet stikkontakt. Forsikre deg om at stikkontakten er riktig og sikkert jordet.
- Sørg for at støpselet til maskinen er tilgjengelig etter montering, og at maskinen ikke står på strømledningen.
- Når maskinen er vatret, skal låsemutrene på alle de fire føttene strammes mot kabinettet.
- Pass på at eventuelle ventilasjonsåpninger på undersiden av produktet ikke dekkes til av for eksempel et teppe.
- Bruk de nye slangesettene som følger med produktet. Gamle slangesett skal ikke gjenbrukes.

**OBS!**

- Inntaksslengen skal kobles til en vannforsyning med kaldt vann.
- Vanninntaksslengen skal ikke knekkes, klemmes sammen eller skades.
- Ikke lag knekk på eller strekk tømmeslangen.
- Plasser tømmeslangen på riktig måte. Den kan lekke vann hvis den blir skadet.
- Hvis tømmeslangen er for lang, må den ikke presses inn i maskinen. Det kan føre til unormal støy.

**OBS!**

- Produktet må kalibreres før det brukes for første gang.
- Kjør et fullstendig vaskeprogram med tom maskin før den første klesvasken.

Sikkerhet under bruk

**ADVARSEL!**

- Brannfarlige, eksplosjonsfarlige eller giftige løsemidler er forbudt. Bensin eller alkohol osv. skal ikke brukes som vaskemiddel. Bruk bare vaskemidler som er egnet for maskinvask.

**ADVARSEL!**

- Trekk alltid ut støpselet til produktet og steng av vannforsyningen etter bruk.

**ADVARSEL!**

- Vær forsiktig for å unngå skålding når varmt vann tømmes ut av produktet.
- Hvis produktet har en funksjon som gjør det mulig å sette et vaskeprogram på pause og legge inn flere plagg, må denne funksjonen ikke brukes hvis vannivået er over kanten på den innvendige trommelen eller høy temperatur er valgt.
- Det er farlig å åpne døren når trommelen roterer og det fortsatt er mye vann i trommelen, og døren kan ikke åpnes med makt.
- Fyll aldri på mer vann manuelt under vasking.

**OBS!**

- Når et vaskeprogram er ferdig:
 - vent to minutter før døren åpnes, og
 - kontroller at vannet i trommelen er tappet ut før døren åpnes. Ikke åpne døren hvis det er synlig vann i maskinen.

**OBS!**

- Tøymykner og lignende produkter skal brukes i henhold til anvisningene for tøymykneren.
- Skarpe og stive gjenstander som mynter, brosjer, spiker, skruer eller steiner osv. kan forårsake alvorlig skade på maskinen. Kontroller at alle lommer er tomme.

**OBS!**

- Produktet må kalibreres før det brukes for første gang.
- Kjør et fullstendig vaskeprogram med tom maskin før den første klesvasken.

Sikkerhet under vedlikehold

**ADVARSEL!**

- Reparasjoner skal kun utføres av autoriserte teknikere.
- Hvis du opplever problemer med produktet, som ikke kan løses med feilsøkinginformasjonen i den komplette brukerhåndboken, må produktet slås av, støpselet trekkes ut, vannforsyningen stenges av og vår serviceavdeling kontaktes.

**ADVARSEL!**

Slå av strøm- og vannforsyningen til produktet før det utføres vedlikehold.

**ADVARSEL!**

Under drift kan det være varmt vann i tømmepumpen. Fjern aldri pumpedekselet mens en vaskesyklus pågår. Vent alltid til produktet har fullført syklusen og alt vann er tømt ut.

**OBS!**

- Ikke bruk løsemidler, alkohol, produkter som inneholder maursyre, skuremidler, glassrens eller universalrens til å rengjøre dette produktet. Plastoverflater og andre deler kan bli skadet.
- Bruk hansker når produktet rengjøres.
- Det er risiko for vannlekkasje hvis pumpedekselet ikke monteres på riktig måte etter rengjøring av tømmepumpefilteret.

Kassering



Kast emballasjen på en miljøvennlig måte. Gjenvinning av emballasje i henhold til gjeldende bestemmelser kan redusere forbruket av råmaterialer og avfallsmengden.

Dette produktet er merket i samsvar med EU-direktiv 2012/19/EU om kassering av elektriske og elektroniske produkter (WEEE). Symbolet på produktet eller på emballasjen angir at produktet ikke skal behandles som husholdningsavfall. Det skal i stedet leveres til et egnet returpunkt for resirkulering av elektrisk og elektronisk utstyr.

Ved å sørge for at produktet kasseres som det skal, bidrar du til hindre eventuell skade på miljø og mennesker, noe som kan skje hvis du kasserer det på annen måte. Kontakt lokale myndigheter med ansvar for avfallshåndtering, renovasjonsselskapet eller butikken der du kjøpte produktet hvis du ønsker mer informasjon om resirkulering av dette produktet.

HURTIGSTART

Hurtigstart

Før vask

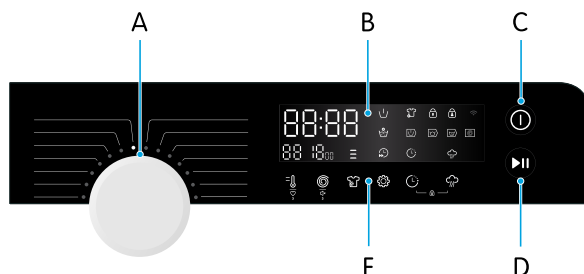
Vask

Etter vask

KOMME I GANG

Bli kjent med vaskemaskinen

Betjeningslementer



- A. Programvelger
- B. Display
- C. På/Av
- D. Start/Pause
- E. Alternativer, innstillinger og funksjoner

Symboler på displayet



Forvask



Last på nytt



Dørlås



Barnesikring



Ekstra skylling



Syklusfase: Forvask



Syklusfase: Vask



Syklusfase: Skylling



Syklusfase:
Sentrifugering



Hurtigvask

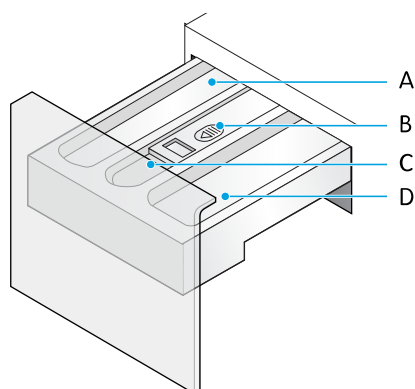


Utsettelse



SpaCare

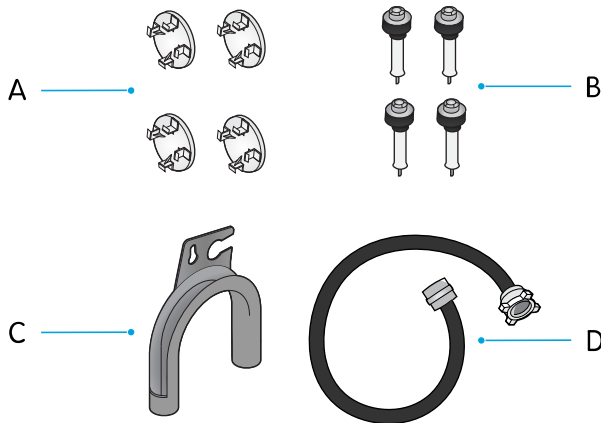
Vaskemiddeldispenser



- A. Hovedvaskemiddel
- B. Vaskemiddellås (trykk ned for å fjerne dispenseren)
- C. Tøymykner
- D. Forvaskemiddel

**ADVARSEL!**

Brannfarlige, eksplosjonsfarlige eller giftige løsemidler er forbudt. Bensin eller alkohol osv. skal ikke brukes som vaskemiddel. Bruk bare vaskemidler som er egnet for maskinvask.

Tilbehør

- A. Plugger til transporthull
- B. Transportbolter
- C. Holder til tømme-slange
- D. Vannforsynings-slange

Plugger til transporthull

Til å plugge igjen hullene etter at transportboltene er fjernet.

Transportbolter

Til å sikre maskinen under transport.

Holder til tømme-slange

Brukes til å feste slangen og unngå knekk på den, for eksempel når slangen plasseres over kanten på en vask.

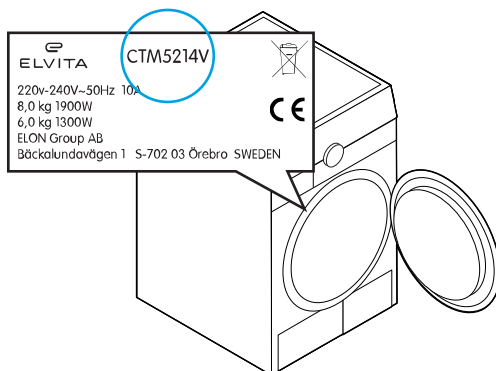
Vannforsynings-slange

For tilkobling av maskinen til vannforsyningen.

Bruke barnesikringen

Aktiver barnesikringen for å unngå at produktet betjenes utilsiktet av barn.

1. Hold inne og i 3 sekunder til et lydsignal høres.
Alle knappene unntatt er nå låst.
2. Hold på og i 3 sekunder for å deaktivere barnesikringen.
NB: Barnesikringen deaktiveres ikke selv om produktet slås av og på igjen.

Finne modellkoden





Modellkoden er trykt på en etikett på produktet. Du trenger koden for å få fullstendig og oppdatert informasjon om produktet samt service og brukerstøtte.

**NB:**

Dette produktet og teksten på etiketten er et eksempel. Produktet ditt og teksten på etiketten kan se annerledes ut og ha annet innhold.

Før første gangs bruk

Kalibrere maskinen

1. Kontroller at maskinen er tom.
 2. Sett inn strømledningen.
 3. Trykk på  for å slå på maskinen.
 4. Hold inne  og  til **t19** vises innen 10 sekunder etter at maskinen ble slått på.
 5. Trykk .
- NB: Kalibreringen er ferdig når trommelen slutter å rotere og tall vises på displayet.**

Kjøre en tom vaskesyklus

Forsikre deg om at maskinen er montert og kalibrert på riktig måte.

1. Sett inn støpselet.
2. Åpne vannkranen.
3. Start et vaskeprogram.

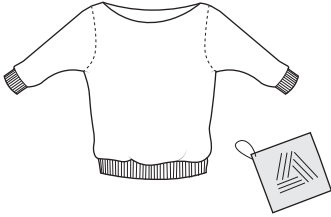
NB: Ikke legg klær i maskinen.

Maskinen er klar til bruk når programmet er ferdig.

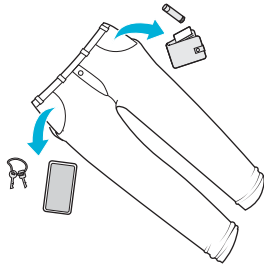
VASK

Før hver vask

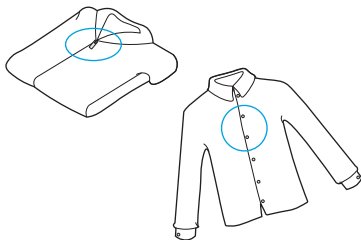
1. Kontroller vaskeanvisningene på tøyet.



2. Fjern eventuelle gjenstander fra lommene.
OBS! Skarpe og stive gjenstander som mynter, brosjer, spiker, skruer eller steiner osv. kan forårsake alvorlig skade på vaskemaskinen.



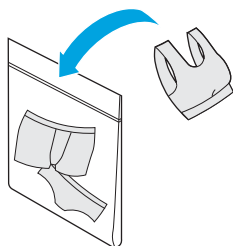
3. Fest eventuelle belter, og lukk eventuelle glidelåser og knapper.



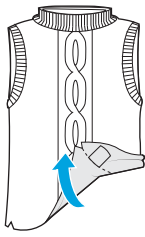
4. Legg små gjenstander i en vaskepose.



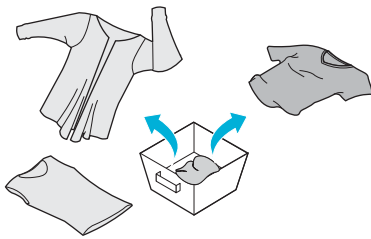
Du kan også bruke et putetrekk.



5. Tekstiler som nupper lett og flossede tekstiler snus på vrangen.



6. Del inn klærne etter stofftype.



Starte vaskingen



OBS!



Forsikre deg om at maskinen er riktig montert før vask.



NB:

Spar strøm og vann.

- Vask av full last sparer strøm og vann. Den maksimale kapasiteten avhenger av programmet.
- Programmer som bruker lavere temperatur med lengre varighet bruker generelt mindre strøm.

1. Trykk på  for å slå på apparatet.
2. Legg inn tøyet.
3. Drei programvelgeren for å velge et program.
4. Velg innstillinger og alternativer etter behov.
5. Tilsett vaskemiddel og tøyemykner i vaskemiddeldispenseren etter behov.
NB: Bruk et vaskemiddel som er egnet for tøyet som skal vaskes og valgt vaskeprogram og temperatur.
6. Trykk på  for å starte programmet.

Når vasken er ferdig, høres et lydsignal og **End** vises.



ADVARSEL!

- Fyll aldri på mer vann manuelt under vasking.
- Vent to minutter etter at programmet er ferdig før døren åpnes.
- Kontroller at vannet i trommelen er tappet ut før døren åpnes. Ikke åpne døren hvis det er synlig vann i maskinen.
- Vær forsiktig for å unngå skålding når varmt vann tømmes ut av maskinen.

Alternativer, innstillinger og funksjoner

Alternativer, innstillinger og funksjoner

Barnesikring



Hindrer at maskinen brukes utilsiktet. Se del "Bruke barnesikringen", side 148.

Utsettelse



Utsetter starten av vaskeprogrammet med et spesifisert tidsrom.

Ekstra skylling, forvask, hurtigvask



- Ekstra skylling: Gir klesvasken en ekstra skylling.
- Forvask: Gir klesvasken en ekstra vask før hovedvasken. Dette bidrar til å løse opp smuss på klærne.
- Hurtigvask: Reduserer vasketiden.

Last på nytt



Legg til tøy mens en vask pågår.

Smussnivå



Angir et smussnivå. Vasketiden forlenges med høyere nivåer.

SpaCare



Behandler klesvasken med damp for bedre vaskeresultat.

Sentrifugeringsturtall, demp / opphev demping



- Sentrifugeringsturtall: Justerer sentrifugeringshastigheten.
- Demp/opphev demping: Demper og opphever demping av lydsignalet.

Temperatur, Mitt valg



- Temperatur: Justerer temperaturen.
- Mitt valg: Lagrer din favorittkombinasjon av vaskeprogram og alternativer.

Endre smussnivå


1. Trykk  for å bla gjennom de tilgjengelige alternativene, fra lett tilsmusset til svært tilsmusset:   



NB:

Høyere smussnivå gir økt vasketid, som vist på displayet.

Justerer sentrifugeringsturtallet

1. Trykk  for å bla gjennom de tilgjengelige hastighetene: (0, 400, 600, 800, 1000, 1200, 1400)



NB:

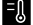
Når indikatorlampen for sentrifugeringsturtall er slukket, er sentrifugeringsturtallet 0.





NB:

Høyere sentrifugeringsturtall gir mer støy og lavere fuktighetsinnhold.

Endre temperaturen

1. Drei programvelgeren for å velge et program.
2. Trykk  for å bla gjennom de tilgjengelige temperaturene: (Kald, 20 °C, 30 °C, 40 °C, 60 °C, 90 °C)






Bruke Utsettelse-funksjonen

1. Drei programvelgeren for å velge et program.
2. Endre innstillingene og velg alternativer etter behov.
3. Trykk  for å bla gjennom de tilgjengelige utsettelsestidene.
4. Trykk .
Vaskesyklusen starter når utsettelsestiden er utløpt.



Du kan avbryte utsettelsestidsuret ved å trykke  for å bla gjennom de ulike utsettelsestidene til displayet viser 0H.

Bruke Ekstra skylling-funksjonen






1. Drei programvelgeren for å velge et program.
2. Trykk  for å bla gjennom de tilgjengelige alternativene til  vises.
NB: Programmet Ekstra skylling -alternativet kan brukes sammen med Forvask alternativ. Bla gjennom alternativene til både  og  vises.
3. Trykk .

Bruke Forvask-funksjonen



NB:

Når dette alternativet velges, må du tilsette forvaskemiddel. Se del "Vaskemiddeldispenser", [side 147](#).

1. Drei programvelgeren for å velge et program.
2. Trykk  for å bla gjennom de tilgjengelige alternativene til  vises.
NB: Programmet Forvask -alternativet kan brukes sammen med Ekstra skylling alternativ. Bla gjennom alternativene til både  og  vises.
3. Trykk .



Bruke SpaCare-funksjonen

Dette alternativet er tilgjengelig med programmene Bomull, Babyklær, Sengetøy og Blandede materialer.






NB:

SpaCare bruker damp til å forbedre vaskeresultatet. Vannet varmes opp til 70 °C i begynnelsen av vaskesyklusen for å generere damp inne i trommelen.


1. Drei programvelgeren for å velge et program.
2. Trykk .
3. Trykk .

Bruke Hurtigvask-funksjonen

1. Drei programvelgeren for å velge et program.
2. Trykk  for å bla gjennom de tilgjengelige alternativene til  vises.
3. Trykk .

Bruke Mitt valg-funksjonen

Du kan lagre programmer som brukes ofte, for rask tilgang. Standardprogrammet er Bomull.

1. Velg et program og ønskede innstillinger og alternativer.
2. Hold på  i 3 sekunder for å legge til det gjeldende programmet og innstillingene i minnet.

Programmet og innstillingene lagres, og kan velges ved å dreie programvelgeren til **Mitt valg** .

Last på nytt – legg til tøy mens en vask pågår

Du kan legge til flere plagg i en klesvask ved først å sette programmet på pause.



ADVARSEL!

Ikke bruk denne funksjonen hvis vannivået er over kanten på den innvendige trommelen eller hvis temperaturinnstillingen er høy.



1. Hold inne  i 3 sekunder.
 vises.
2. Vent til trommelen stopper og døren låses opp.
ADVARSEL! Det er farlig å åpne døren når trommelen roterer og det fortsatt er mye vann i trommelen, og døren kan ikke åpnes med makt.
3. Legg til flere plagg og lukk døren.
4. Trykk  for å gjenoppta vaskingen.

Dempe og oppheve demping av lydsignalet



NB:

Lydsignalet høres ikke hvis det er dempet.

1. Hold inne  i 3 sekunder for å dempe lydsignalet.
2. Hold inne  i 3 sekunder for å oppheve dempingen av lydsignalet.

Innstillingen lagres til neste nullstilling.

Vaskeprogrammer

20 °C

20 °C som standardtemperatur. Kaldt vann kan også velges.

Standardtemperatur	20 °C
Standardtid	1:01
Standardhastighet	1000 o/min
Maksimumskapasitet, vask	8,0 kg
Forvaskemiddel	–
Hovedvaskemiddel	Viktig
Tøymykner	Valgfritt
Alternativer	<ul style="list-style-type: none"> • Utsettelse • Ekstra skylning

Babyklær

Holder vasketemperaturen over 60 °C i mer enn 30 minutter for å fjerne skadelige bakterier.

Standardtemperatur	60 °C
Standardtid	1:42
Standardhastighet	800 o/min
Maksimumskapasitet, vask	8,0 kg
Forvaskemiddel	Valgfritt
Hovedvaskemiddel	Viktig
Tøymykner	Valgfritt
Alternativer	<ul style="list-style-type: none"> • Utsettelse • Ekstra skylning • Forvask • Smussnivå • SpaCare • Hurtigvask

Sengetøy

For sengetøy, lakener og andre store gjenstander.

Standardtemperatur	40 °C
Standardtid	1:48
Standardhastighet	1000 o/min

Maksimumskapasitet, vask	8,0 kg
Forvaskemiddel	Valgfritt
Hovedvaskemiddel	Viktig
Tøymykner	Valgfritt
Alternativer	<ul style="list-style-type: none"> • Utsettelse • Ekstra skylning • Forvask • Smussnivå • SpaCare • Hurtigvask

Bomull

For slitesterke, varmebestandige tekstiler av bomull og lin.

Standardtemperatur	40 °C
Standardtid	3:39
Standardhastighet	1400 o/min
Maksimumskapasitet, vask	8,0 kg
Forvaskemiddel	Valgfritt
Hovedvaskemiddel	Viktig
Tøymykner	Valgfritt
Alternativer	<ul style="list-style-type: none"> • Utsettelse • Ekstra skylning • Forvask • Smussnivå • SpaCare • Hurtigvask

Trommelrengjøring

Rengjør trommelen i maskinen ved 90 °C. Skal ikke brukes til klesvask.



Rengjøringseffekten kan økes ved å bruke et klorvaskemiddel som er ment for vaskemaskiner. Følg instruksjonene som følger med klorvaskemiddelet.

Standardtemperatur	90 °C
Standardtid	1:18
Standardhastighet	–
Maksimumskapasitet, vask	–
Forvaskemiddel	–
Hovedvaskemiddel	–
Tøymykner	–
Alternativer	<ul style="list-style-type: none"> • Utsettelse

ECO 40-60

Anbefales for normalt skitten klesvask i bomull.

**NB:**

Dette programmet kan vaske klær som er egnet for vask på 40 °C eller 60 °C i én omgang i samme syklus.

Standardtemperatur	40 °C
Standardtid	3:32
Standardhastighet	1400 o/min
Maksimumskapasitet, vask	8,0 kg
Forvaskemiddel	–
Hovedvaskemiddel	Viktig
Tøymykner	Valgfritt
Alternativer	<ul style="list-style-type: none"> • Utsettelse

Intensiv

Vasketiden økes for bedre vaskeeffekt

Standardtemperatur	40 °C
Standardtid	3:48
Standardhastighet	800 o/min
Maksimumskapasitet, vask	8,0 kg
Forvaskemiddel	-
Hovedvaskemiddel	Viktig
Tøymykner	Valgfritt
Alternativer	<ul style="list-style-type: none"> • Utsettelse

Blandede materialer

Blandet last med tekstiler i bomull og syntetiske materialer.

Standardtemperatur	40 °C
Standardtid	1:20
Standardhastighet	800 o/min
Maksimumskapasitet, vask	8,0 kg
Forvaskemiddel	Valgfritt
Hovedvaskemiddel	Viktig
Tøymykner	Valgfritt
Alternativer	<ul style="list-style-type: none"> • Utsettelse • Ekstra skylling • Forvask • SpaCare • Hurtigvask

Mitt valg

Definer og lagre din favorittkombinasjon av vaskeprogram og alternativer. Se del "Bruke Mitt valg-funksjonen", [side 154](#).

Sentrifugering

Ekstra sentrifugering med valgbar sentrifugeringsturtall.

Standardtemperatur	–
Standardtid	0:12
Standardhastighet	1000 o/min
Maksimumskapasitet, vask	8,0 kg
Forvaskemiddel	–
Hovedvaskemiddel	–
Tøymykner	–
Alternativer	<ul style="list-style-type: none"> • Utsettelse

Syntetisk

For vask av syntetiske plagg som skjorter, jakker og blandede tekstiler. Ved vask av strikkeplagg bør mengden vaskemiddel reduseres for å unngå at det dannes for mye skum.

Standardtemperatur	40 °C
Standardtid	3:18
Standardhastighet	1200 o/min
Maksimumskapasitet, vask	4,0 kg
Forvaskemiddel	Valgfritt
Hovedvaskemiddel	Viktig
Tøymykner	Valgfritt
Alternativer	<ul style="list-style-type: none"> • Utsettelse • Ekstra skylning • Forvask • Smussnivå

Kort 15 min

Ekstra kort program. Egnet for små mengder lett tilsmusset klesvask.

Standardtemperatur	Kald
Standardtid	0:15
Standardhastighet	800 o/min
Maksimumskapasitet, vask	2,0 kg
Forvaskemiddel	–
Hovedvaskemiddel	Viktig
Tøymykner	Valgfritt
Alternativer	<ul style="list-style-type: none"> • Utsettelse

Skylleprogram

Ekstra skylning og sentrifugering.

Standardtemperatur	–
Standardtid	0:20
Standardhastighet	1000 o/min
Maksimumskapasitet, vask	8,0 kg
Forvaskemiddel	–
Hovedvaskemiddel	–
Tøymykner	Valgfritt
Alternativer	<ul style="list-style-type: none"> • Utsettelse • Ekstra skylning

Ull

Hånd- eller maskinvaskbare plagg i ull eller ullblanding. Skånsomt vaskeprogram, laget for å unngå krymping. Inneholder lengre perioder uten trommelrotasjon.

Standardtemperatur	40 °C
Standardtid	1:07
Standardhastighet	600 o/min
Maksimumskapasitet, vask	2,0 kg
Forvaskemiddel	–
Hovedvaskemiddel	Viktig
Tøymykner	Valgfritt
Alternativer	<ul style="list-style-type: none"> • Utsettelse • Ekstra skylning

RENGJØRING

Riktig vedlikehold av produktet kan forlenge produktets levetid.

Bruk kalkfjerner for vaskemaskiner ved behov. Følg instruksjonene som følger med middelet.

**ADVARSEL!**

Trekk ut støpselet til vaskemaskinen og steng kranen før vedlikeholdsarbeid påbegynnes.

**OBS!**

Ikke bruk alkohol, løsemidler eller kjemiske produkter til å rengjøre produktet.

Utvendig rengjøring

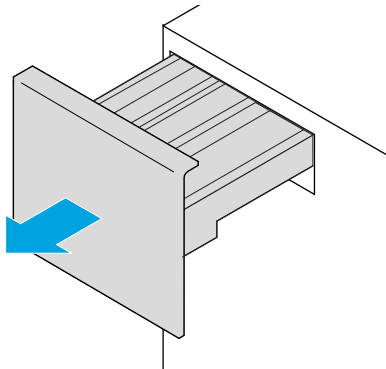
- Rengjør overflaten med fortynnet, ikke-slipende nøytralt rengjøringsmiddel ved behov.
- Overskytende vann tørkes bort umiddelbart med en klut.

**OBS!**

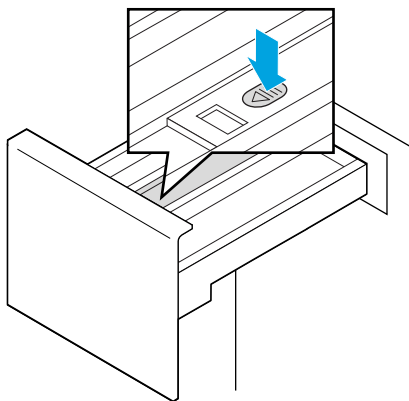
- Ikke bruk skarpe rengjøringsredskaper.
- Ikke bruk maursyre eller løsemidler som alkohol og kjemiske produkter osv.

Rengjøre vaskemiddeldispenseren

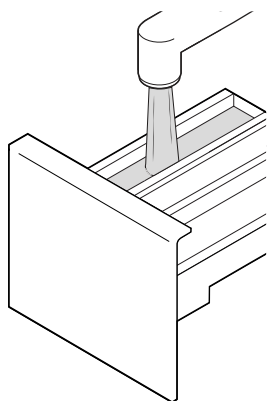
1. Åpne dispenseren.



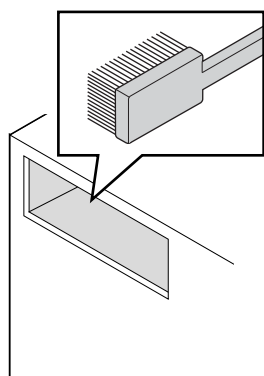
2. Trykk ned knappen og trekk ut dispenseren.



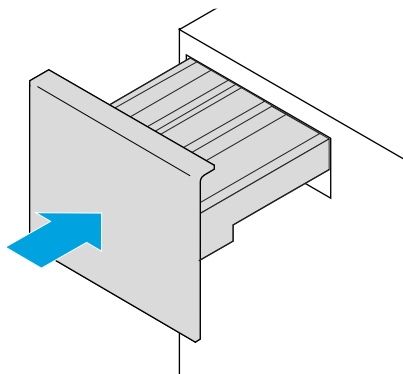
3. Rengjør dispenseren med vann.



4. Rengjør inne i åpningen med en gammel tannbørste.



5. Sett inn dispenseren.



Rengjøre trommelen

- Rester av rust fra metalldelel må fjernes fra trommelen umiddelbart.

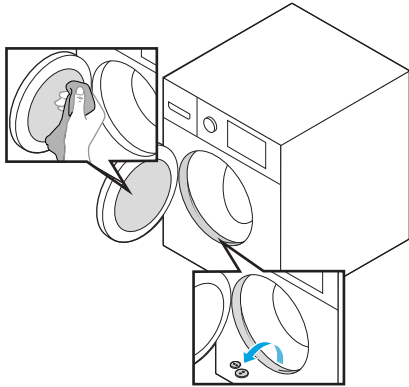


OBS!

- Bruk et klorfritt vaskemiddel.
 - Ikke bruk stålull.
- Kjør programmet for rengjøring av trommelen ved behov. Se del "Drum cleanTrommelreinigungTrumrengjøringTrommelrengjøringTromlerengjøringRummun puhdistusPrif tromlu", [side 156](#).

Rengjør dørtetningen og glasset

Gjør dette etter hver vask.



- Tørk av glasset og tetningen for å fjerne lo og flekker.

**NB:**

Hvis det samler seg lo, kan det forårsake lekkasje.

- Fjern eventuelle mynter, knapper og andre gjenstander fra tetningen.

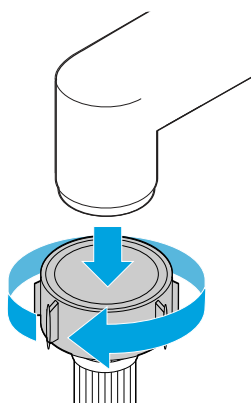
**OBS!**

- Bruk et klorfritt vaskemiddel.
- Ikke bruk stålull.

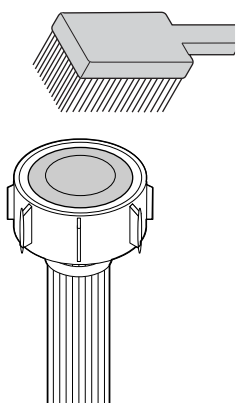
Rengjøre kraninntaksfilteret

Rengjør kraninntaksfilteret hver tredje måned. Hvis vannforsyningen blir begrenset, må kraninntaksfiltrene rengjøres.

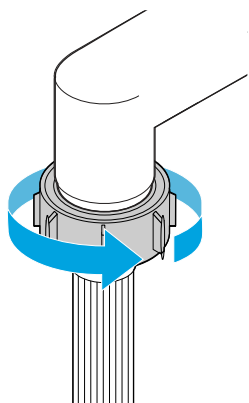
1. Steng kranen og fjern vannforsyningsslangen fra kranen.



2. Rengjør filteret.



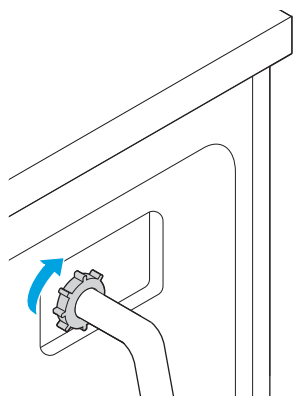
3. Monter vannforsyningsslangen på kranen igjen, og åpne kranen.



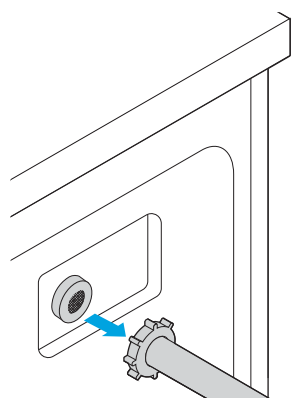
Rengjøre maskininntaksfilteret

Rengjør maskininntaksfilteret hver tredje måned. Hvis vannforsyningen blir begrenset, må maskininntaksfilteret rengjøres.

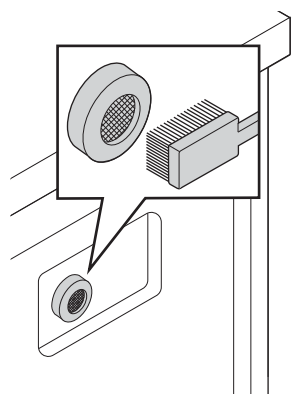
1. Steng kranen og skru av inntaksrøret på baksiden av maskinen.



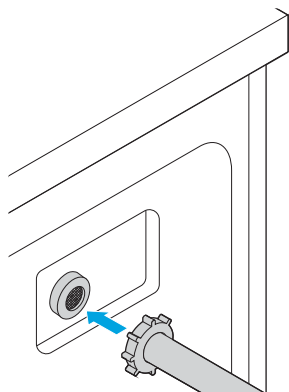
2. Fjern inntaksrøret.



3. Rengjør filteret med en børste.



4. Monter inntaksrøret igjen, og åpne kranen.



Filteret kan fjernes og vaskes separat.

Rengjøre tømmepumpefilteret

Tømmepumpefilteret er designet for å fange opp fibre og små gjenstander. Rengjør filteret av og til for å sikre at maskinen fungerer som den skal.



ADVARSEL!

Trekk ut støpselet til maskinen før du rengjør filteret, for å unngå elektrisk støt.



ADVARSEL!

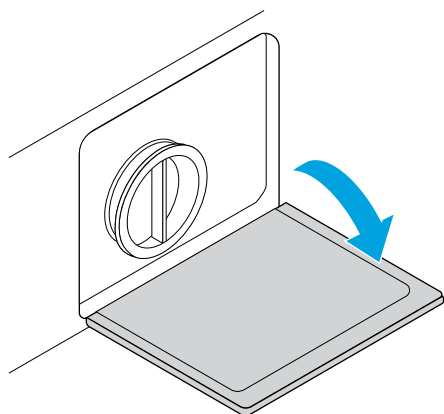
- Vær forsiktig. Vannet kan være varmt!
- La vaskemiddelopløsningen avkjøles før du rengjør filteret.



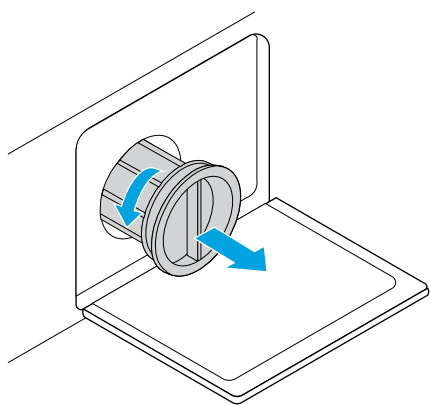
OBS!

Fjern aldri pumpedekselet mens en vaskesyklus pågår. Vent alltid til maskinen har fullført syklusen og er tom.

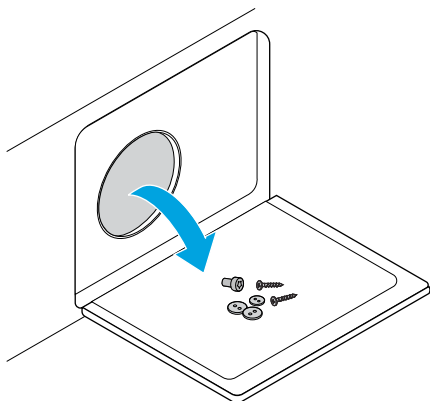
1. Åpne filterdekslet.



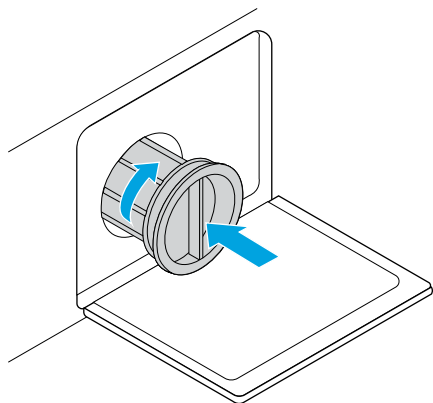
2. Drei filteret mot klokken og trekk det ut.



3. Fjern eventuelle gjenstander.



4. Monter filteret igjen, og lukk dekselet.

**OBS!**

Pass på at ventilhetten monteres på riktig måte. Delene må sitte riktig, ellers kan det oppstå vannlekkasje.

FEILSØKING

Maskinen starter ikke

Problemet kan ha forskjellige årsaker. Følg anvisningene for de foreslåtte årsakene for å løse problemet.

Døren er ikke helt lukket

1. Kontroller om noe av klesvasken sitter fast.
2. Lukk døren og prøv å starte maskinen igjen.

Maskinen er ikke koblet til strømtilførsel

Koble strømledningen til en stikkontakt.

Ingen programmer er valgt

Velg et program.

Du glemte å trykke på start/pause-knappen



Trykk på knappen.

Maskinen er ikke slått på

Slå på maskinen.

Displayet tennes ikke

Problemet kan ha forskjellige årsaker. Følg anvisningene for de foreslåtte årsakene for å løse problemet.

Strømtilførselen fungerer ikke

1. Kontroller at strømtilførselen fungerer.
2. Kontakt en autorisert elektriker hvis den ikke fungerer som den skal.

Støpselet er ikke satt inn

Koble støpselet til en stikkontakt.

Ingen programmer er valgt

Velg et program.

Maskinen er ikke slått på

Trykk på På/Av-knappen.



Døren kan ikke åpnes

Maskinens sikkerhetssperre er aktiv

Koble fra strømmen og start maskinen på nytt.

Det lekker vann

Koblingen mellom maskinen og inntaksrøret eller tømmeslangen er ikke strammet

- Kontroller koblingene og stram dem.
- Rengjør tømmeslangen.

Vaskemiddelrester i dispenseren

Vaskemiddelet er fuktig eller klumpet

Rengjør og tørk av vaskemiddeldispenseren. Se del "Rengjøre vaskemiddeldispenseren", [side 160](#).

Indikatoren eller displayet tennes ikke

Problem med den elektriske tilkoblingen

Kontroller at strømmen er slått på og at støpselet er satt riktig inn.

Unormal støy

Problemet kan ha forskjellige årsaker. Følg anvisningene for de foreslåtte årsakene for å løse problemet.

Transportboltene er ikke fjernet

Fjerne transportboltene. Se del "Fjerne transportboltene", [side 174](#).

Maskinen er ikke vatret

Vatre maskinen. Se del "Vatre maskinen", [side 176](#).

Feilkoden E10 vises

Problemer med vannforsyning under vask

- Kontroller om vanntrykket er for lavt.
- Rett ut vannrøret.
- Kontroller om inntaksventilen er tett.

Feilkoden E12 vises

Vannet renner over

Start maskinen på nytt.

Feilkoden E21 vises

Vanntømmingen tar for lang tid

Kontroller om tømmeslangen er tett.

Feilkoden E30 vises

Døren lukkes ikke helt

1. Kontroller om noe av klesvasken sitter fast.
2. Lukk døren og prøv å starte maskinen igjen.

Feilkoden EXX vises

Annet problem

Forsøk igjen, og kontakt kundestøtte hvis problemet vedvarer. Kontakt **brukerstøtte hos Elvita** hvis du trenger hjelp med produktet.

INSTALLERING

Følg instruksjonene i denne delen for å installere maskinen.



ADVARSEL!

- Hvis ledningen blir skadd, må den skiftes av fabrikanten, fabrikantens servicerepresentant eller tilsvarende kvalifiserte personer for å unngå fare.
- Bruk de nye slangesettene som følger med maskinen. Gamle slangesett skal ikke gjenbrukes.
- Koble støpselet til en jordet stikkontakt av hensyn til din egen sikkerhet. Forsikre deg om at stikkontakten er riktig og sikkert jordet.
- Maskinen skal kobles til vann- og strømforsyning av en kvalifisert person og i samsvar med produsentens instruksjoner og lokale sikkerhetsbestemmelser.



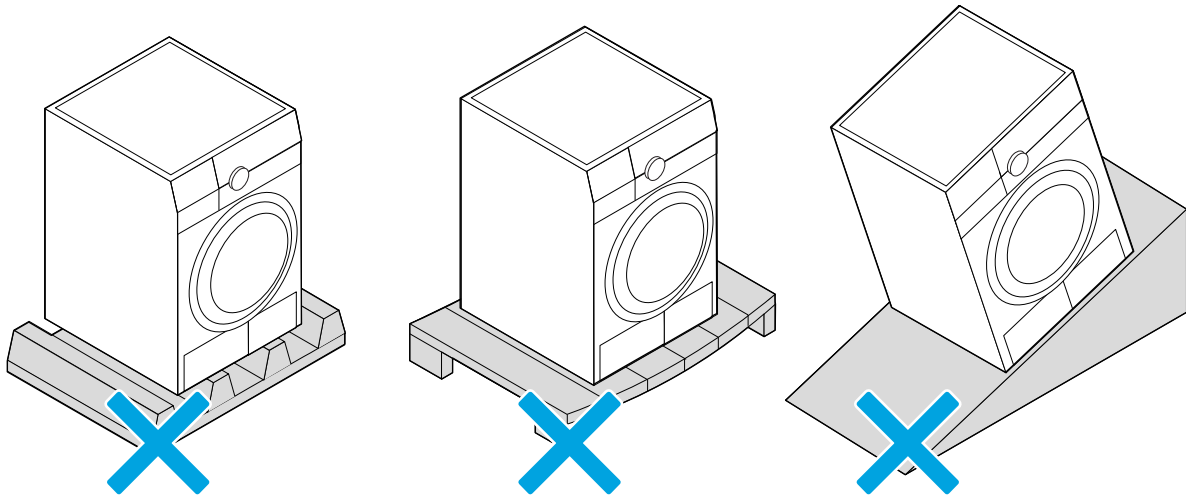
OBS!

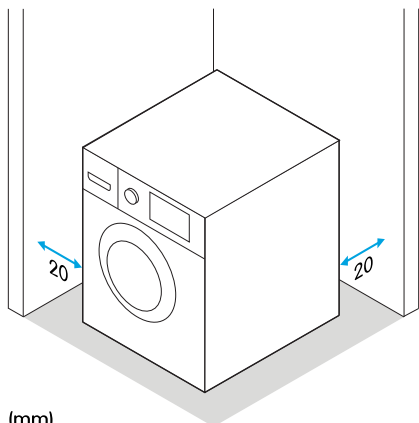
Inntaksslangen skal kobles til en vannforsyning med kaldt vann.

Installasjonsområde

Vær oppmerksom på følgende når maskinens plassering velges:

- Unngå direkte sollys.
- Tilstrekkelig ventilasjon.
- Romtemperatur over 0 °C.
- Hold apparatet borte fra varmekilder som kull- eller gassbrennere.
- Underlaget skal være hardt, tørt og i vater. Stabilitet er viktig for å unngå at maskinen "vandrer".





(mm)

**ADVARSEL!**

- Pass på at maskinen ikke står på strømledningen.
- Støpselet skal være tilgjengelig etter installasjon.

**ADVARSEL!**

Maskinen må ikke brukes i svært våte rom eller rom der det er risiko for at eksplosjonsfarlige eller kaustiske gasser forekommer.

**OBS!**

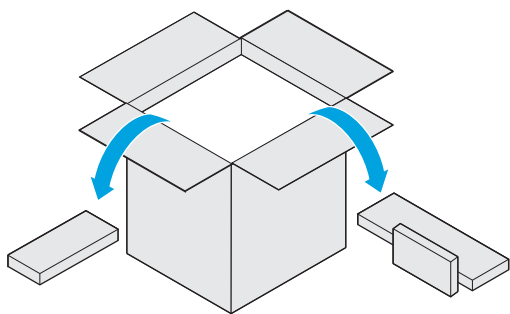
- Maskinen er kun ment for bruk innendørs.
- Maskinen er ikke ment for innbygging i skap.
- Åpningene må ikke dekkes til av et teppe.

Pakke ut maskinen

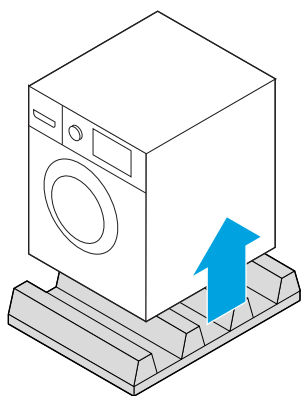
**ADVARSEL!**

Fjern all emballasje og transportboltene før maskinen brukes. Ellers kan det oppstå alvorlig skade.

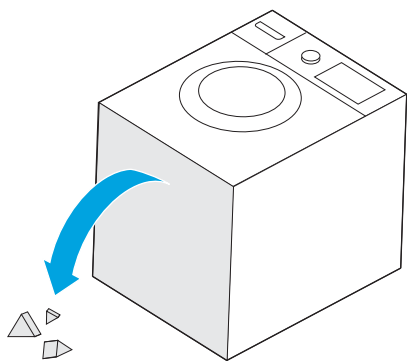
1. Fjern kartongen og isoporemballasjen.



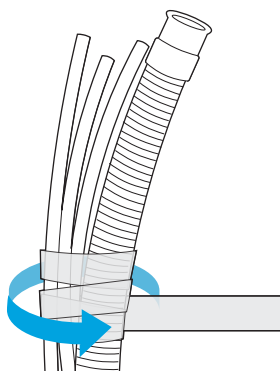
2. Løft produktet og fjern emballasjen fra undersiden.



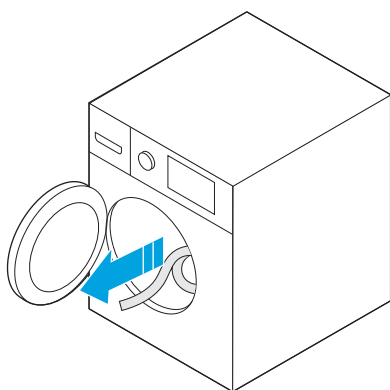
3. Legg produktet på siden og fjern de små, trekantede skumbitene fra undersiden.



4. Fjern tapen som holder strømledningen og tømmeslangen.



5. Fjern tilbehøret fra trommelen.



ADVARSEL!

Hold all emballasje borte fra barn. Kvelningsfare kan forekomme!

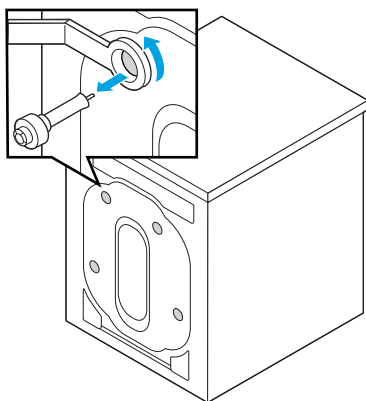
Fjerne transportboltene



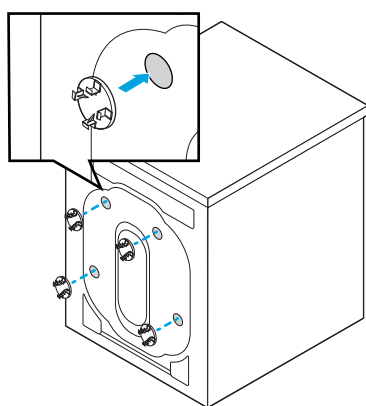
ADVARSEL!

Transportboltene må fjernes fra baksiden før maskinen tas i bruk.

1. Løsne boltene med en skiftenøkkel, og fjern dem.

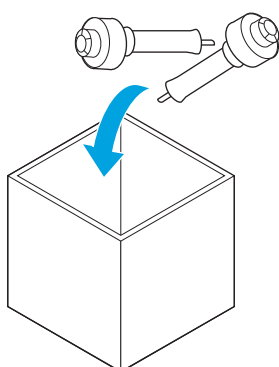


2. Plugg igjen hullene med pluggene til transporthullene.



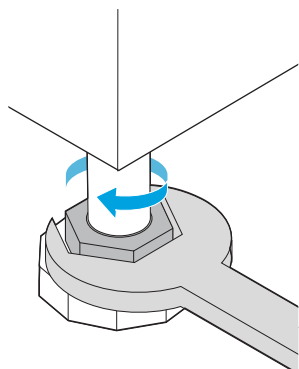
3. Ta vare på boltene.

NB: Du trenger transportboltene igjen hvis du skal flytte maskinen.

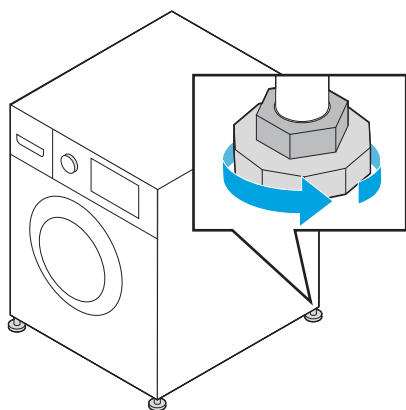


Vatre maskinen

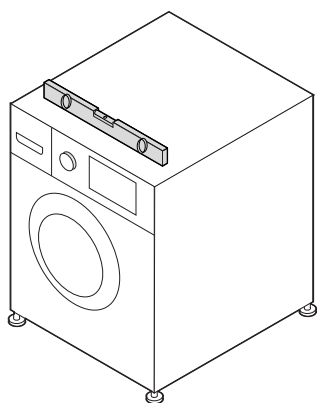
1. Løsne mutrene og skru føttene helt inn.
Kontroller om noen av føttene ikke berører gulvet.



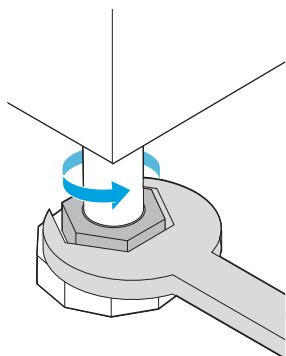
2. Hvis noen av føttene ikke berører gulvet, skur du ut foten til den berører gulvet.



3. Bruk et vater til å kontrollere om vaskemaskinen står i vater, og juster om nødvendig føttene igjen.

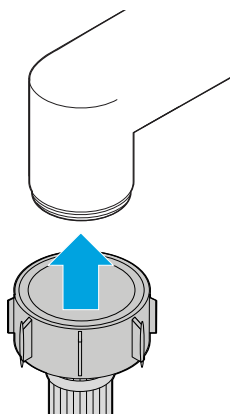


4. Stram mutrene med en skiffenøkkel, og kontroller at maskinen står stabilt.
ADVARSEL! Låsemutrene på alle de fire føttene skal strammes mot kabinettet.

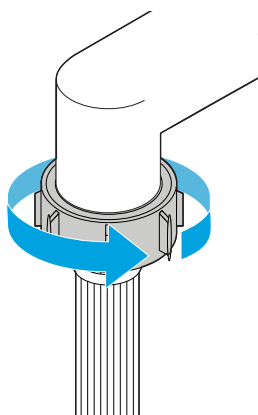


Koble vannforsyningsslangen til en vannkran

1. Løft slangen opp til vannkranen.

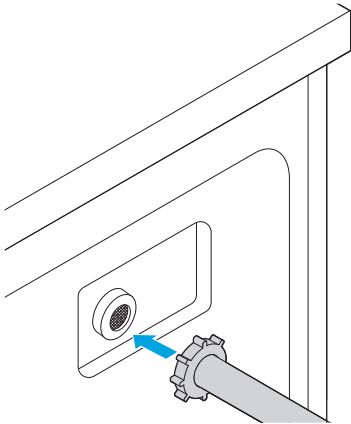


2. Skru koblingen på gjengene på vannkranen.

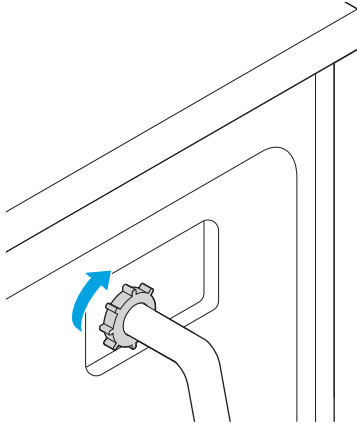


Koble vannforsyningsslangen til maskinen

1. Løft forsyningsslangen opp til inntaksventilen på baksiden av maskinen.



2. Skru koblingen på gjengene kranen til den sitter stramt.



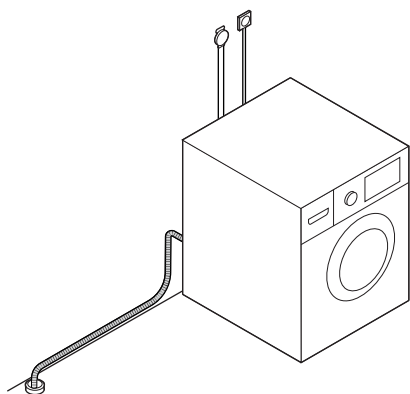
Koble til et eksternt avløp



OBS!

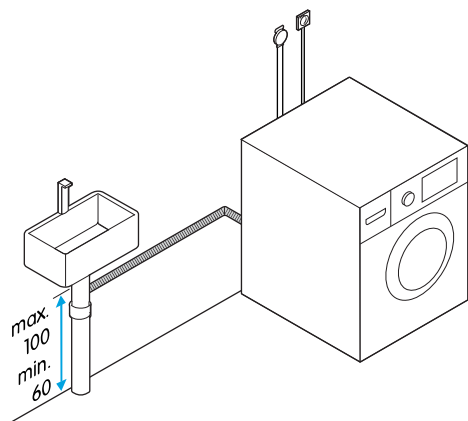
- Ikke lag knekk på eller strekk tømmeslangen.
- Plasser tømmeslangen på riktig måte. Den kan lekke vann hvis den blir skadet.
- Enden av tømmeslangen skal ikke stikke ned i avløpsvannet. Hvis slangen stikker ned i vannet, kan det redusere tømningen og føre til at avløpsvann føres tilbake til maskinen.

Plassere tømme­slangen i et gulvsluk



Koble tømme­slangen til et avløp

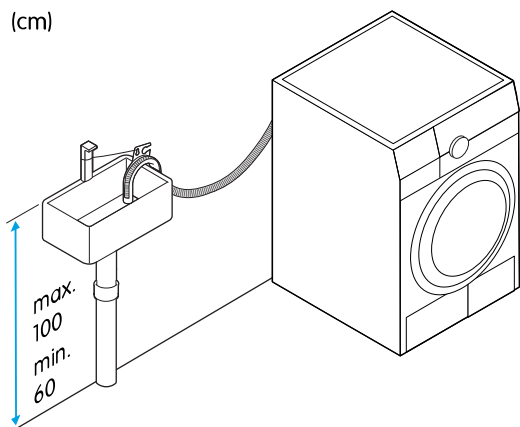
(cm)



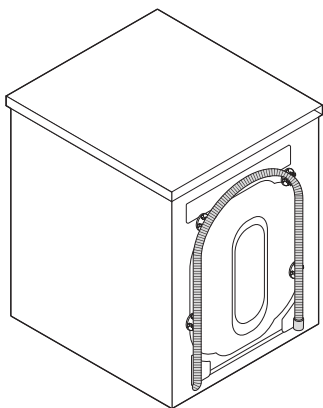
Plassere tømme­slangen i en vask

Bruk slangeholderen til å holde tømme­slangen bøyd ned i vasken uten knekk.

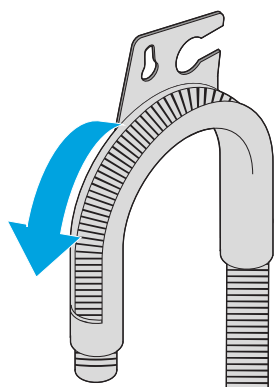
(cm)



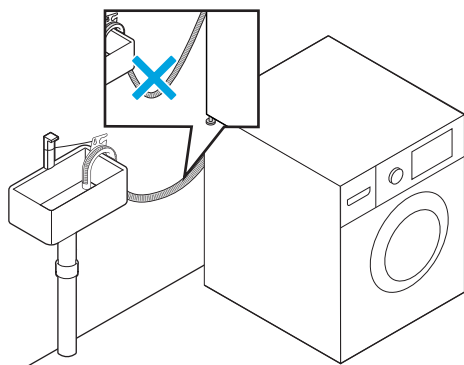
1. Fjern tømmeslangen forsiktig fra klemmene.



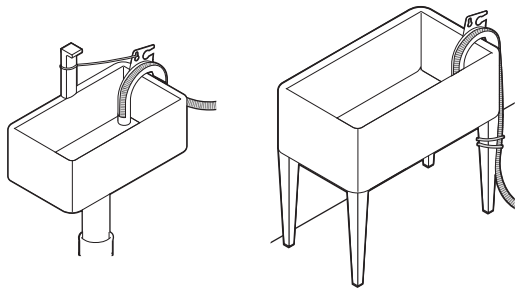
2. Sett tømmeslangen inn i slangeholderen.



3. Heng slangeholderen over kanten på vasken.



4. Fest tømmeslangen til vasken med en snor, en klemme eller et buntbånd.



TILLEGG

Tekniske spesifikasjoner


NB:

Verdien for nominell kapasitet gjelder vekten av tørr klesvask.

Modellkode	Se del "Finne modellkoden", side 148
Bredde	595 mm
Dybde	565 mm
Høyde	850 mm
Vekt	68 kg
Nominell kapasitet	8 kg
Maksimal sentrifugringsturtall	1400 o/min
Strømtilførsel	220-240 V, 50 Hz
Maksimal strøm	10 A
Nominell effekt	2000 W
Standard vanndrykk	0,05 MPa ~ 1 MPa

Energieffektivitet

Du finner informasjon om produktets energieffektivitet i EPREL, det europeiske produktregisteret for energimerking. Gå til EPREL-nettstedet og bruk modellidentifikatoren til å finne informasjonen. Modellidentifikatoren finnes på energietiketten som følger med produktet.

EPREL-nettstedet: <https://eprel.ec.europa.eu/>



Forbruksverdier

De faktiske verdiene for en vaskesyklus kan avvike fra verdiene som vises her. De angitte verdiene for andre programmer enn ECO 40-60 er bare veiledende.

Program	Tøymengden verdiene ble oppnådd med (nominell kapasitet for det spesifikke programmet hvis ikke annet er oppgitt) (kg)	Programmets varighet (timer: minutter)	Strømforbruk (kWh per syklus)	Vannforbruk (liter per syklus)	Maks temperatur oppnådd i min. 5 minutter i klesvasken i løpet av vaskesyklusen (°C)	Gjenværende fuktinnhold og sentrifugeringsturtall (o/min) verdien ble oppnådd ved
20 °C	4,0	1:01	0.183	44	20	65 % / 1000
Bomull (60 °C)	8,0	3:39	1.120	71	40	53 % / 1400
ECO 40-60	8,0 (Nominell kapasitet)	3:38	0.857	59	34	53 % / 1400
	4,0 (Halvparten av nominell kapasitet)	2:48	0.504	46	29	53 % / 1400
	2,0 (En fjerdedel av nominell kapasitet)	2:48	0.240	37	21	53 % / 1400
Intensiv	8,0	3:48	1.136	71	40	70 % / 800
Blandede materialer	8,0	1:20	0.754	71	40	65 % / 1000
Kort 15 min	2,0	0:15	0.030	40	15	75 % / 800

EU-direktiver og standarder

Dette produktet oppfyller gjeldende EU-direktiver og reguleringer, og er utstyrt med CE-merke. En kopi av EU-samsvarserklæringen er tilgjengelig på forespørsel hvis den ikke følger med produktet.

- Produktets ytelse er testet i samsvar med standarden EN 60456 for vaskemaskiner.
- Angående EU-regulering 2019/2023, energitestprogram: ECO 40-60; andre innstillinger: standard.

Indhold

SIKKERHED	188
Påmindelser	188
Tilsluttet anvendelse.....	188
Sikkerhed for børn og handicappede.....	188
Generel sikkerhed	189
Sikkerhed ved installation	189
Sikkerhed ved brug	190
Sikkerhed ved vedligeholdelse	191
Bortskaffelse.....	191
HURTIG START	192
Hurtig start	192
KOM GODT I GANG	193
Lær din vaskemaskine at kende.....	193
Betjeningsknapper	193
Der vises symboler på displayet.....	193
Vaskemiddelautomat.....	193
Tilbehør	194
Brug børnesikringen.....	194
Find modelkoden.....	194
Inden første anvendelse.....	195
Kalibrér maskinen	195
Kør en tom vaskecyklus	195
VASKER	196
Før hver vask	196
Start vask.....	197
Valgmuligheder, indstillinger og funktioner	198
Valgmuligheder, indstillinger og funktioner	198
Ændr tilsmudsningsgraden.....	199
Skift af centrifugeringshastigheden.....	199
Skift af temperaturen.....	199
Brug af forsinkelses-funktionen	199
Brug funktionen Ekstra skylning.....	199
Brug valgmuligheden Forvask	199
Brug af valgmuligheden SpaCare	200
Brug valgmuligheden Kvikvask	200
Brug funktionen Mit valg.....	200
Genfyld - Læg ekstra tøj i under en vask	200
Slå lydsignalet til og fra	200
Vaskeprogrammer	201
20 °C	201
Babytøj	201

Sengetøj	201
Bomuld	202
Tromlerengøring	202
ECO 40-60	203
Intensiv	203
Materiemix	203
Mit valg	204
Centrifugering	204
Syntetisk	204
Kort 15 min.	204
Skylleprogram	205
Uld	205
RENGØRING	206
Rengør ydersiden	206
Rengør vaskemiddelautomaten	206
Rengør tromlen	207
Rengør lågepakningen og glasset	208
Rengør haneindløbsfilteret	208
Rengør maskinindløbsfilteret	209
Rengør drænpumpefilteret	211
FEJLFINDING	214
Maskinen starter ikke	214
Displayet vises ikke	214
Lågen kan ikke åbnes	214
Der trænger vand ud	215
Rester af vaskemiddel i automaten	215
Indikator eller display vises ikke	215
Unormal støj	215
Fejlkoden E10 vises	215
Fejlkoden E12 vises	215
Fejlkoden E21 vises	215
Fejlkoden E30 vises	216
Fejlkoden EXX vises	216
INSTALLATION	217
Monteringsområde	217
Pak maskinen ud	218
Fjern transportboltene	220
Sæt maskinen i vater	222
Tilslut vandforsyningsslangen til en hane	223
Tilslut vandforsyningsslangen til maskinen	224
Tilslut til et eksternt afløb	224
Placér afløbsslangen i et gulv afløb	225
Tilslut afløbsslangen til afløbsrøret på en vask.....	225

Placér afløbsslangen i en vask	225
TILLÆG	228
Tekniske specifikationer	228
Forbrugsværdier	228
EU-direktiver og standarder	229

SIKKERHED

Læs nøje vejledningen før installation og brug af apparatet. Gem vejledningen, og opbevar den i nærheden af maskinen for nemt at kunne slå op i den. Alle typer garantier ugyldiggøres, hvis disse instruktioner ikke følges.

Påmindelser

**ADVARSEL!**

Anvendes, når der er risiko for personskader.

**FORSIGTIG!**

Anvendes, når der er risiko for beskadigelse af maskinen.

**BEMÆRK!**

Generelle oplysninger, som du skal være opmærksom på.



Nyttige tips, som kan være nyttige.

Tilsigtet anvendelse

Produktet er kun beregnet til:

- Indendørs brug i en husholdning eller husholdsmiljø som f.eks.:
 - medarbejderkøkkener i butikker, på kontorer og andre arbejdsmiljøer;
 - familiehuse,
 - af gæster på hoteller, moteller og andre beboelsesmiljøer,
 - bed and breakfast-miljøer.
- Vask af maskinvaskbart tøj og tekstil i en vaskemiddelopløsning.
- Vask med kommercielt tilgængelige vaskemidler med lav opskumning og plejeprodukter, der er egnet til brug i en forbejtnet vaskemaskine eller kombineret vaskemaskine og tørretumbler.

Dette produkt er ikke beregnet til indbygning.

Sikkerhed for børn og handicappede

**ADVARSEL!**

Lad kun følgende grupper benytte apparatet, hvis de er under opsyn eller har fået anvisning i brug af produktet på sikker vis. De bør forstå de involverede risici.

- Børn. (Børn under 8 år skal være under konstant opsyn).
- Personer med nedsatte fysiske, sensoriske eller mentale evner.
- Personer med manglende erfaring og kendskab.

**ADVARSEL!**

- Lad aldrig børn lege med apparatet.
- Rengøring må ikke udføres af børn uden opsyn.

**ADVARSEL!**

Der er risiko for, at dyr og børn kan kravle ind i produktet. Kig inde i produktet, hver gang det bruges.

**ADVARSEL!**

Glaslågen kan blive meget varm under brug. Hold børn og kæledyr på god afstand fra produktet, når det er i brug.

Generel sikkerhed

**ADVARSEL!**

- Du må ikke vaske eller tørre genstande, der er rengjort i, vasket i, lagt i blød i eller duppet med brændbare eller eksplosive stoffer som f.eks. voks, olie, maling, benzin, affedtningsmidler, opløsningsmidler til kemisk rens, petroleum osv. Dette kan medføre brand eller eksplosioner.
- Sådanne genstande skal skylles grundigt i hånden, inden de vaskes.

**ADVARSEL!**

Risiko for elektrisk stød!

- Hvis strømledningen beskadiges, skal den udskiftes af producenten, dennes servicerepræsentant eller en tilsvarende autoriseret montør for at undgå fare.
- Hvis maskinen bliver beskadiget, må den ikke betjenes, før den er blevet repareret af producenten, dennes servicerepræsentant eller lignende kvalificerede personer.
- Før produktet rengøres eller vedligeholdes, skal produktet frakobles fra lysnettet.
- Brug ikke et stik med en nominel strøm, der er mindre end den for produktet.
- Træk aldrig stikket ud af kontakten med våde hænder.

**FORSIGTIG!**

- Du må ikke kravle op eller sidde oven på produktet.
- Læn dig ikke mod lågen på produktet.
- Luk ikke lågen med for stor kraft. Hvis det er svært at lukke lågen, skal du kontrollere, at der ikke er kommet vasketøj i klemme.
- Vask ikke tæpper i produktet.

**FORSIGTIG!**

Når produktet flyttes:

- Transportboltene skal genmonteres i maskinen af en korrekt kvalificeret person.
- Produktet skal tømmes helt for vand.
- Håndtér produktet forsigtigt. Hold aldrig i udstående dele på maskinen, når den løftes.
- Brug ikke produktets låge til at løfte det under transport.
- Dette produkt er tungt. Skal transporteres forsigtigt.

Sikkerhed ved installation

**ADVARSEL!**

Før produktet monteres, skal det kontrolleres for synlige udvendige skader. Hvis produktet er beskadiget, må det ikke monteres eller anvendes.

**ADVARSEL!**

Montér ikke maskinen

- i et badeværelse i en situation, hvor der er risiko for direkte kontakt med vand for eksempel vandstråle fra bruser, vand fra badekar eller i et meget vådt rum, eller et rum med høj fugtighed,
- i et lokale med eksplosive gasser eller ætsende gasser, eller
- bag en dør, der kan låses, en skydedør eller en dør med et hængsel på modsatte side af produktet.

**ADVARSEL!**

Der skal sørges for tilstrækkelig ventilation for at undgå tilbagestrømning af gas i lokalet fra apparater, der brænder andre brændstoffer, herunder åben ild.

**ADVARSEL!**

- Fjern al emballage og transportbolte, før produktet anvendes. Ellers kan det medføre alvorlig beskadigelse.
- Hold al emballage på god afstand af børn. Der er risiko for kvælning!

**ADVARSEL!**

- Sørg for, at produktet tilsluttes til vand og el af en korrekt kvalificeret person i henhold til producentens vejledning og lokale sikkerhedsbestemmelser.
- Hvis ledningen beskadiges, skal den udskiftes af producenten, producentens servicerepræsentant eller en tilsvarende autoriseret montør for at undgå fare.
- Sørg for at tilslutte strømstikket til en jordet trepolet stikkontakt. Kontrollér omhyggeligt, at kontakten er korrekt og sikkert jordet.
- Sørg for, at strømstikket på maskinen er tilgængeligt efter installation, og at maskinen ikke står på strømledningen.
- Når maskinen sættes i vater, skal låsemøtrikkerne på alle fire fødder skrues stramt ind mod kabinettet.
- Hvis det er relevant, skal du sørge for, at ventilationsåbningerne i soklen på produktet ikke er blokeret af f.eks. et tæppe.
- Brug de nye slangesæt, der leveres sammen med produktet. Genbrug ikke de gamle slangesæt.

**FORSIGTIG!**

- Indløbsslangen skal tilsluttes til en koldtvandshane.
- Vandindløbsslangen må ikke knækkes, sammenpresses, ændres eller overskæres.
- Afløbsslangen må ikke knækkes eller strækkes.
- Placér afløbsslangen korrekt, da den kan medføre vandlækage, hvis den beskadiges.
- Hvis afløbsslangen er for lang, må du ikke tvinge den ind i maskinen, da det kan medføre unormal støj.

**FORSIGTIG!**

- Inden produktet anvendes første gang, skal det kalibreres.
- Inden der vaskes vasketøj første gang, skal der køres et helt vaskeprogram uden vasketøj i tromlen.

Sikkerhed ved brug

**ADVARSEL!**

- Brændbare, eksplosive eller giftige opløsningsmidler er forbudt. Benzin og alkohol osv. må ikke bruges om vaskemidler. Brug kun vaskemidler, der er velegnet til maskinvask.

**ADVARSEL!**

- Frakobl altid produktet og sluk for vandforsyningen efter brug.

**ADVARSEL!**

- Sørg for at undgå skoldning, når produktet tømmes for varmt vand.
- Hvis produktet har en funktion, der giver mulighed for at sætte et vaskeprogram på pause og lægge mere tøj i, må du ikke bruge denne funktion, når vandniveauet er over kanten på den indvendige tromle eller temperaturindstillingen er høj.
- Når tromlen stadig drejer rundt og der er en stor mængde varmet vand i tromlen, er det ikke sikkert at åbne lågen, og lågen kan ikke åbnes med magt.
- Fyld aldrig mere vand i under en vask.

**FORSIGTIG!**

- Når et vaskeprogram er fuldført:
 - Vent to minutter, før lågen åbnes, og
 - kontrollér, om vandet inde i tromlen er løbet ud, inden du åbner lågen. Åbn ikke lågen, hvis der kan ses vand i tromlen.

**FORSIGTIG!**

- Skyllemidler eller lignende produkter skal anvendes som angivet i vejledningen til skyllemidlet.
- Skarpe og stive genstande, f.eks. mønter, brocher, negle, skruer eller sten osv., kan beskadige denne maskinen alvorligt. Sørg for, at alle lommer er tømt.

**FORSIGTIG!**

- Inden produktet anvendes første gang, skal det kalibreres.
- Inden der vaskes vasketøj første gang, skal der køres et helt vaskeprogram uden vasketøj i tromlen.

Sikkerhed ved vedligeholdelse

**ADVARSEL!**

- Reparationer må kun udføres af autoriserede reparatører.
- Hvis du har problemer med produktet, som fejlfindingsoplysninger i den komplette manual ikke kan hjælpe dig med at læse, skal du slukke produktet, trække stikket ud af kontakten, lukke for vandforsyningen og kontakte support og service.

**ADVARSEL!**

Sluk for strømforsyningen og vandforsyningen til produktet, før der udføres vedligeholdelse.

**ADVARSEL!**

Under brug kan der være varmt vand i drænpumpen. Fjern aldrig pumpedækslet, mens maskinen vasker. Vent altid, indtil produktet har fuldført cyklussen og al vandet er tømt ud.

**FORSIGTIG!**

- Brug ikke opløsningsmidler, alkohol, produkter, der indeholder myresyre, slibende rengøringsmidler, glasrensemidler eller universalrengøringsmidler til at rengøre dette produkt. Plastoverflader og andre dele kan blive beskadiget.
- Brug handsker ved rengøring af produktet.
- Der er risiko for vandlækage, hvis pumpedækslet ikke genmonteres korrekt efter rengøring af drænpumpefilteret.

Bortskaffelse



Bortskaf emballagen på miljøvenlig vis. Genanvendelse af emballage under overholdelse af nationale og lokale bestemmelser kan formindske forbruget af råmaterialer og mængde af affald på deponeringssteder. Dette produkt er mærket i overensstemmelse med det Europæiske Direktiv 2012/19/EF for affald af elektrisk og elektronisk udstyr (WEEE). Symbolet på apparatet eller dets emballage angiver, at det ikke må behandles som husholdningsaffald. Det skal i stedet afleveres på en genbrugsstation, som er godkendt til håndtering af elektrisk og elektronisk udstyr.

Ved at bortskaffe produktet korrekt er du med til at forebygge negative effekter på miljøet og menneskers sundhed, som forkert affaldshåndtering af produktet ellers kunne forårsage. Du kan få flere oplysninger om bortskaffelse og genvinding af produktet ved at kontakte din kommune eller genbrugsstation, eller den forretning, hvor du købte produktet.

HURTIG START

Hurtig start

Før vask

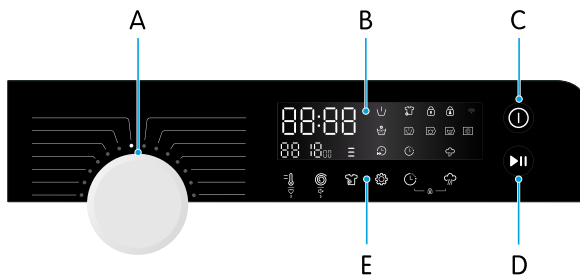
Vask

Efter vask

KOM GODT I GANG

Lær din vaskemaskine at kende

Betjeningsknapper



- A. Programvælger
- B. Display
- C. Til/fra
- D. Start/Pause
- E. Valgmuligheder, indstillinger og funktioner

Der vises symboler på displayet



Forvask



Genfyld



Lågelås



Børnesikring



Ekstra skylning



Cyklusfase: Forvask



Cyklusfase: Vask



Cyklusfase: Skylning



Cyklusfase:
Centrifugering



Kvikvask

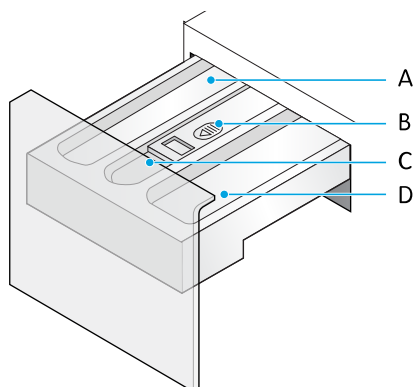


Forsinkelse



SpaCare

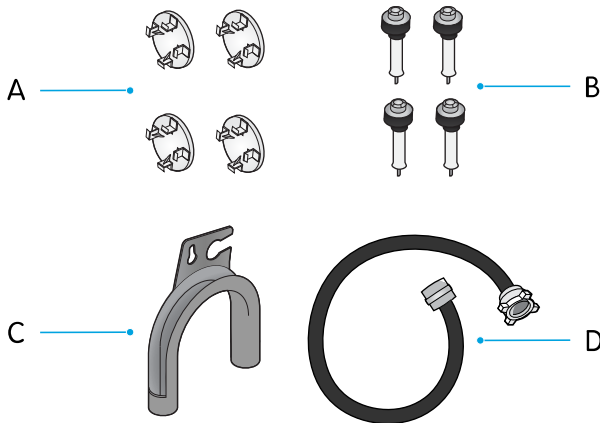
Vaskemiddelautomat



- A. Primært vaskemiddel
- B. Vaskemiddellås (skub ned for at tage automaten ud)
- C. Skyllemiddel
- D. Forvaskemiddel

**ADVARSEL!**

Brændbare og eksplosive eller giftige opløsningsmidler er forbudt. Benzin og alkohol osv. må ikke bruges om vaskemidler. Brug kun vaskemidler, der er velegnet til maskinvask.

Tilbehør

- A. Transporthulspropper
- B. Transportbolte
- C. Holder til afløbsslange
- D. Vandforsyningslange

Transporthulspropper

Til at tilproppe hullerne, efter at transportboltene er fjernet.

Transportbolte

Til fastgørelse af maskinen under transport.

Holder til afløbsslange

Til fastgørelse af slangen, så der undgås knæk, f.eks. når slangen placeres over kanten på en vask.

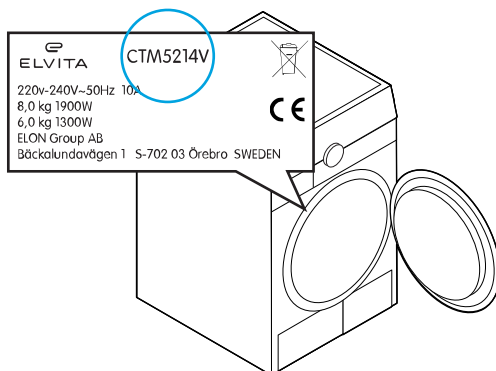
Vandforsyningslange

For tilslutning af maskinen til vandforsyningen.

Brug børnesikringen

Aktivér børnesikring for at undgå, at børn utilsigtet bruger produktet.

1. Rør og hold og i 3 sekunder, indtil der lyder et lydsignal. Alle knapper er nu låst, undtagen .
2. Rør og hold og i 3 sekunder for at deaktivere børnesikringen.
BEMÆRK! Hvis produktet slukkes og tændes, deaktiveres børnesikringen ikke.

Find modelkoden





Modelkoden er trykt på en mærkat på maskinen. Du skal bruge koden for at finde de fuldstændige og seneste oplysninger, service og support til din maskinmodel.

**BEMÆRK!**

Denne maskine og mærkatteksten er eksempler. Maskinen og teksten skal se anderledes ud og have et andet indhold.

Inden første anvendelse

Kalibrér maskinen

1. Sørg for, at maskinen er tom.
2. Tilslut strømledningen.
3. Tryk på  for at tænde for maskinen.
4. Vent 10 sekunder, efter at maskinen blev tændt, rør og hold  og , indtil der vises **t19**.
5. Tryk på .
BEMÆRK! Kalibrering er fuldført, når tromlen holder op med at dreje rundt og er vises tal.

Kør en tom vaskecyklus

Sørg for, at maskinen er korrekt installeret og kalibreret.

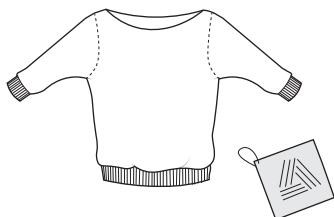
1. Tilslut strømledningen.
2. Åbn for vandhanen.
3. Start et vaskeprogram.
BEMÆRK! Læg ikke noget tøj i maskinen.

Maskinen er klar til brug, når programmet er fuldført.

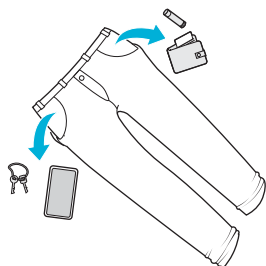
VASKER

Før hver vask

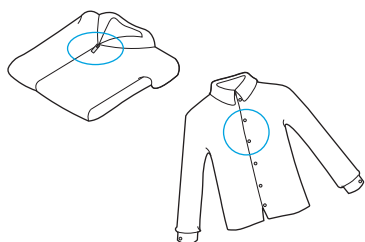
1. Kontrollér tøjets vaskeanvisninger.



2. Fjern alle genstande i lommerne.
FORSIGTIG! Skarpe og stive genstande, f.eks. mønter, brocher, negle, skruer eller sten osv., kan beskadige denne vaskemaskinen alvorligt.



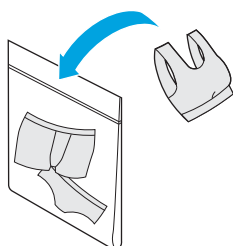
3. Spænd alle bæltter, lyn alle lynlåse og knap alle knapper.



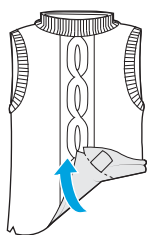
4. Placér små genstande i en vaskepose.



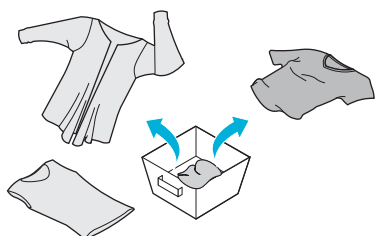
Du kan også bruge et pudebetræk.



5. Vend stof, der fnuller nemt, og langluvet stof på vrangen



6. Sortér tøj efter stoftype.



Start vask



FORSIGTIG!



Før du vasker, skal du sørge for, at maskinen er monteret korrekt.



BEMÆRK!

Spar strøm og vand.

- Vask af fyldte maskiner sparer strøm og vand. Den maksimale fyldning afhænger af programmet.
- Generelt bruger et program, der kører med en lavere temperatur og i længere tid, mindre strøm.

1. Tryk på  for at tænde for strømmen.
2. Læg tøj i maskinen.
3. Drej programvælgeren for at vælge et program.
4. Vælg indstillinger og valgmuligheder, hvis det er nødvendigt.
5. Tilsæt vaskemiddel og skyllemiddel i vaskemiddelautomaten, hvis det er nødvendigt.
BEMÆRK! Sørg for at bruge et vaskemiddel, der er egnet til det vasketøj, der skal vaskes, og det valgte vaskeprogram og den valgte temperatur.
6. Tryk på  for at starte programmet.

Når vasken er færdig, lyder der et lydsignal, og **End** vises.



ADVARSEL!

- Fyld aldrig mere vand i under en vask.
- Når programmet er færdigt, skal du vente to minutter, før du åbner døren.
- Kontrollér, om vandet inde i tromlen er løbet ud, inden du åbner lågen. Åbn ikke lågen, hvis der kan ses vand i tromlen.
- Sørg for at undgå skoldning, når maskinen tømmes for varmt vand.

Valgmuligheder, indstillinger og funktioner

Valgmuligheder, indstillinger og funktioner

Børnesikring



Forhindrer utilsigtet brug af maskinen. Se afsnit "Brug børnesikringen", side 194.

Forsinkelse



Forsinker starten af vaskeprogrammet med et angivet tidsinterval.

Ekstra skylning, forvask, kvikvask



- Ekstra skylning: Giver vasketøjet en ekstra skylning.
- Forvask: Giver vasketøjet en ekstra vask inden hovedvasken. Dette er med til at bringe snavs til overfladen på tøjet.
- Kvikvask: Forkorter vasketiden.

Genfyld



Læg ekstra tøj i under en vask.

Tilsmudsningsgrad



Angiver en tilsmudsningsgrad. Vasketiden forlænges med højere tilsmudsningsgrader.

SpaCare



Behandler vasketøjet med damp for at forbedre vaskefunktionen.

Centrifugeringshastighed, lyd fra/lyd til







- Centrifugeringsomdrejninger: Justerer centrifugeringshastigheden.
- Lyd fra/til: Slår lydsignalet til og fra.

Temperatur, Mit valg



- Temperatur: Justerer temperaturen.
- Mit valg: Gemmer din yndlingskombination af vaskeprogram og valgmuligheder.

Ændr tilsmudsningsgraden

1. Tryk på  for at skifte mellem de tilgængelige niveauer, fra let beskidt til meget beskidt:   



BEMÆRK!

Højere tilsmudsningsgrad øger vasketiden, som angivet på displayet.

Skift af centrifugeringshastigheden

1. Rør ved  for at skifte mellem mulige hastigheder: (0, 400, 600, 800, 1000, 1200, 1400)



BEMÆRK!


Når indikatorlysene for centrifugeringshastighed er slukket, er centrifugeringshastigheden 0.





BEMÆRK!

Højere centrifugeringshastigheder larmer mere og giver en lavere restfugtighed.

Skift af temperaturen

1. Drej programvælgeren for at vælge et program.
2. Rør ved  for at skifte mellem mulige temperaturer: (kold, 20 °C, 30 °C, 40 °C, 60 °C, 90 °C)

Brug af forsinkelses-funktionen

1. Drej programvælgeren for at vælge et program.
2. Rediger indstillinger, og vælg funktioner, hvis det er nødvendigt.
3. Rør ved  for at skifte mellem mulige forsinkelsestider.
4. Tryk på  .
Vaskecyklussen starter, når forsinkelsestiden er gået.



Du kan annullere forsinkelsestimeren ved at trykke på  for at skifte mellem de tilgængelige forsinkelsestider, indtil der står OH på displayet.

Brug funktionen Ekstra skylning






1. Drej programvælgeren for at vælge et program.
2. Tryk på  for at skifte mellem de tilgængelige valgmuligheder, indtil der vises  .
BEMÆRK! Programmet Ekstra skylning -valgmulighed kan bruges sammen med Forvask valgmulighed. Skift mellem valgmulighederne, indtil både  og  vises.
3. Tryk på .

Brug valgmuligheden Forvask



BEMÆRK!

Du skal tilsætte forvaskemiddel, når du vælger denne valgmulighed. Se afsnit "Vaskemiddelautomat", [side 193](#).

1. Drej programvælgeren for at vælge et program.
2. Tryk på  for at skifte mellem de tilgængelige valgmuligheder, indtil der vises .
BEMÆRK! Programmet Forvask -valgmulighed kan bruges sammen med Ekstra skyllning valgmulighed. Skift mellem valgmulighederne, indtil både  og  vises.
3. Tryk på .



Brug af valgmuligheden SpaCare

Denne valgmulighed er tilgængelig med programmerne Bomuld, Babytøj, Sengetøj og Materialemix.






BEMÆRK!

SpaCare bruger damp til at forbedre vaskeresultatet. I starten af vaskecyklussen opvarmes vandet til 70 °C for at danne damp inde i tromlen.


1. Drej programvælgeren for at vælge et program.
2. Tryk på .
3. Tryk på .

Brug valgmuligheden Kvikvask

1. Drej programvælgeren for at vælge et program.
2. Tryk på  for at skifte mellem de tilgængelige valgmuligheder, indtil der vises .
3. Tryk på .

Brug funktionen Mit valg

Du kan gemme et ofte anvendt program for hurtigt adgang. Standardprogrammet er Bomuld.

1. Vælg et program samt de indstillinger, du vil bruge.
2. Tryk på og hold  i 3 sekunder for at tilføje det aktuelle program og de aktuelle indstillinger til hukommelsen.

Dit program og dine indstillinger er nu gemt og kan bruges ved at dreje programvælgeren til **Mit valg** .

Genfyld - Læg ekstra tøj i under en vask

Du kan tilføje mere vasketøj til en vask ved at sætte programmet på pause.



ADVARSEL!

Brug ikke denne funktion, når vandstanden er over kanten på den indvendige tromle, eller hvis temperaturindstillingen er høj.



1. Tryk på og  i 3 sekunder.
 vises.
2. Vent på, at tromlens rotation stopper og lågen låses op.
ADVARSEL! Når tromlen stadig drejer rundt og der er en stor mængde varmet vand i tromlen, er det ikke sikkert at åbne lågen, og lågen kan ikke åbnes med magt.
3. Læg vasketøjet i, og luk lågen.
4. Tryk på  for at genoptage vasken.

Slå lydsignalet til og fra



BEMÆRK!

Lydsignalet høres ikke, når det er slået fra.

1. Tryk på og hold  i 3 sekunder for at slå lydsignalet fra.
2. Tryk på og hold  i 3 sekunder for at slå lydsignalet til.

Indstillingen huskes indtil næste nulstilling.

Vaskeprogrammer

20 °C

20 °C som standardtemperatur. Der kan også vælges koldt vand.

Standardtemperatur	20 °C
Standardtid	1:01
Standardhastighed	1000 o/min.
Maksimal fyldning, vask	8,0 kg
Forvaskemiddel	–
Primært vaskemiddel	Afgørende
Skyllemiddel	Valgfri
Muligheder	<ul style="list-style-type: none"> • Forsinkelse • Ekstra skylning

Babytøj

Holder vasketemperaturen over 60 °C i mere end 30 minutter for at fjerne skadelige bakterier.

Standardtemperatur	60 °C
Standardtid	1:42
Standardhastighed	800 o/min.
Maksimal fyldning, vask	8,0 kg
Forvaskemiddel	Valgfri
Primært vaskemiddel	Afgørende
Skyllemiddel	Valgfri
Muligheder	<ul style="list-style-type: none"> • Forsinkelse • Ekstra skylning • Forvask • Tilsmudsningsgrad • SpaCare • Kvikvask

Sengetøj

For sengetøj, lagener eller andre store stykker.

Standardtemperatur	40 °C
Standardtid	1:48
Standardhastighed	1000 o/min.

Maksimal fyldning, vask	8,0 kg
Forvaskemiddel	Valgfri
Primært vaskemiddel	Afgørende
Skyllemiddel	Valgfri
Muligheder	<ul style="list-style-type: none"> • Forsinkelse • Ekstra skylning • Forvask • Tilsmudsningsgrad • SpaCare • Kvikvask

Bomuld

Til slidstærke tekstiler af bomuld eller lærred.

Standardtemperatur	40 °C
Standardtid	3:39
Standardhastighed	1400 o/min.
Maksimal fyldning, vask	8,0 kg
Forvaskemiddel	Valgfri
Primært vaskemiddel	Afgørende
Skyllemiddel	Valgfri
Muligheder	<ul style="list-style-type: none"> • Forsinkelse • Ekstra skylning • Forvask • Tilsmudsningsgrad • SpaCare • Kvikvask

Tromlerengøring

Rengør maskinens tromle ved 90 °C. Må ikke bruges til vasketøj.



For at forbedre renservirkningen kan du bruge et blegemiddel med klorin, der er beregnet til vaskemaskiner. Følg vejledningen til blegemidlet.

Standardtemperatur	90 °C
Standardtid	1:18
Standardhastighed	–
Maksimal fyldning, vask	–
Forvaskemiddel	–
Primært vaskemiddel	–
Skyllemiddel	–
Muligheder	<ul style="list-style-type: none"> • Forsinkelse

ECO 40-60

Anbefales til normalt beskidt bomuldsvasketøj.

**BEMÆRK!**

Dette program kan vaske vasketøj, der er angivet til at kunne vaskes ved 40 °C eller 60 °C på én gang i samme cyklus.

Standardtemperatur	40 °C
Standardtid	3:32
Standardhastighed	1400 o/min.
Maksimal fyldning, vask	8,0 kg
Forvaskemiddel	–
Primært vaskemiddel	Afgørende
Skyllemiddel	Valgfri
Muligheder	<ul style="list-style-type: none"> • Forsinkelse

Intensiv

Vasketiden forlænges for at forbedre vaskevirkningen.

Standardtemperatur	40 °C
Standardtid	3:48
Standardhastighed	800 o/min.
Maksimal fyldning, vask	8,0 kg
Forvaskemiddel	-
Primært vaskemiddel	Afgørende
Skyllemiddel	Valgfri
Muligheder	<ul style="list-style-type: none"> • Forsinkelse

Materiemix

Blandet vasketøj, der består af tekstiler af bomuld og syntetiske stoffer.

Standardtemperatur	40 °C
Standardtid	1:20
Standardhastighed	800 o/min.
Maksimal fyldning, vask	8,0 kg
Forvaskemiddel	Valgfri
Primært vaskemiddel	Afgørende
Skyllemiddel	Valgfri
Muligheder	<ul style="list-style-type: none"> • Forsinkelse • Ekstra skylning • Forvask • SpaCare • Kvikvask

Mit valg

Definér og gem din yndlingskombination af vaskeprogram og valgmuligheder. Se afsnit "Brug funktionen Mit valg", [side 200](#).

Centrifugering

Ekstra centrifugering med valgbar centrifugeringshastighed.

Standardtemperatur	–
Standardtid	0:12
Standardhastighed	1000 o/min.
Maksimal fyldning, vask	8,0 kg
Forvaskemiddel	–
Primært vaskemiddel	–
Skyllemiddel	–
Muligheder	<ul style="list-style-type: none"> • Forsinkelse

Syntetisk

Til vask af syntetiske genstande som f.eks. skjorter, frakker og blandede stoffer. Når der vaskes strikvarer, skal mængden af vaskemiddel formindskes for at undgå for stor opskumning.

Standardtemperatur	40 °C
Standardtid	3:18
Standardhastighed	1200 o/min.
Maksimal fyldning, vask	4,0 kg
Forvaskemiddel	Valgfri
Primært vaskemiddel	Afgørende
Skyllemiddel	Valgfri
Muligheder	<ul style="list-style-type: none"> • Forsinkelse • Ekstra skylning • Forvask • Tilsmudsningsgrad

Kort 15 min.

Ekstrakort program. Velegnet til små mængde let beskidt vasketøj.

Standardtemperatur	Kold
Standardtid	0:15
Standardhastighed	800 o/min.
Maksimal fyldning, vask	2,0 kg
Forvaskemiddel	–
Primært vaskemiddel	Afgørende

Skyllemiddel	Valgfri
Muligheder	<ul style="list-style-type: none"> • Forsinkelse

Skylleprogram

Ekstra skylning og centrifugering.

Standardtemperatur	–
Standardtid	0:20
Standardhastighed	1000 o/min.
Maksimal fyldning, vask	8,0 kg
Forvaskemiddel	–
Primært vaskemiddel	–
Skyllemiddel	Valgfri
Muligheder	<ul style="list-style-type: none"> • Forsinkelse • Ekstra skylning

Uld

Uld- eller uldrige tekstiler, der kan vaskes i hånden eller maskine. Skånsomt vaskeprogram beregnet til at forhindre krympning. Indbefatter længere perioder uden tromlerotation.

Standardtemperatur	40 °C
Standardtid	1:07
Standardhastighed	600 o/min.
Maksimal fyldning, vask	2,0 kg
Forvaskemiddel	–
Primært vaskemiddel	Afgørende
Skyllemiddel	Valgfri
Muligheder	<ul style="list-style-type: none"> • Forsinkelse • Ekstra skylning

RENGØRING

Korrekt vedligeholdelse af produktet kan forlænge dets levetid.

Når det er nødvendigt, skal du bruge et afkalkningsmiddel til vaskemaskiner. Følg vejledningen til afkalkningsmidlet.

**ADVARSEL!**

Træk stikket ud af maskinen, og luk hanen, før du påbegynder vedligeholdelse.

**FORSIGTIG!**

Brug ikke sprit, opløsningsmidler eller kemikalier til at rengøre produktet.

Rengør ydersiden

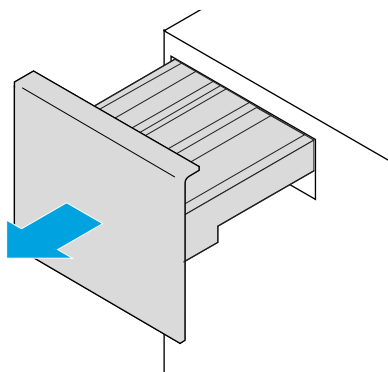
- Rengør overfladen efter behov med fortyndede, neutrale vaskemidler uden slibevirkning.
- Hvis vandet løber over, skal du straks tørre det væk med en klud.

**FORSIGTIG!**

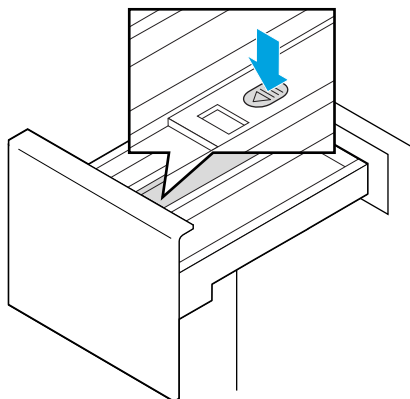
- Brug ikke skarpe rengøringsværktøjer.
- Brug ikke myresyre eller opløsningsmidler som f.eks. sprit eller kemikalier osv.

Rengør vaskemiddelautomaten

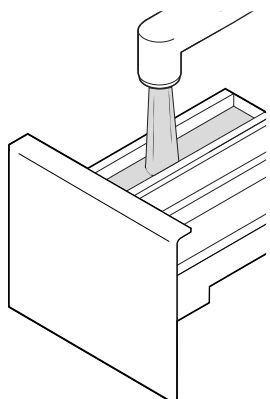
1. Åbn automaten.



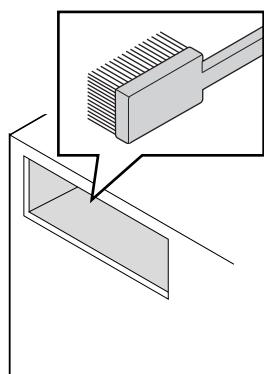
2. Skub knappen ned, og træk automaten ud.



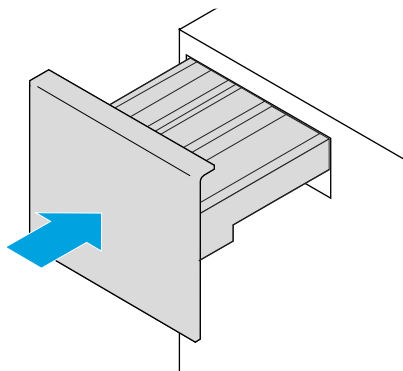
3. Rengør automaten med vand.



4. Rengør inde i fordybningen med en gammel tandbørste.



5. Sæt automaten på plads igen.



Rengør tromlen

- Fjern med det samme evt. rust, der er tilbage inde i tromlen med metaldele.

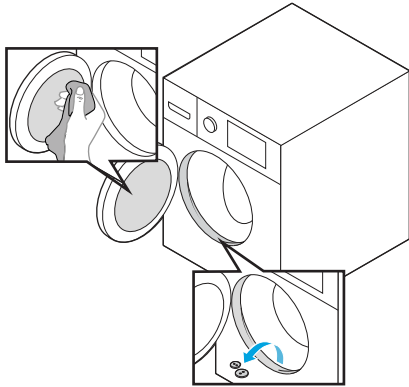


FORSIGTIG!

- Brug et klorfrit vaskemiddel.
 - Brug ikke ståluld.
- Når det er nødvendigt, skal du køre rengøringsprogrammet for tromlen. Se afsnit "Drum cleanTrommelreinigungTrumrengøringTrommelrengjøringTromlerengøringRummun puhdistusPrif tromlu", [side 202](#).

Rengør lågepakningen og glasset

Gør dette efter hver vask.



- Aftør glasset og pakningen for at fjerne fruller og pletter.



BEMÆRK!

Hvis der ophobes fruller, kan det give utætheder.

- Fjern evt. mønter, knapper og andre genstande fra pakningen.



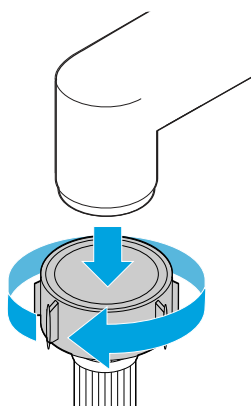
FORSIGTIG!

- Brug et klorfrit vaskemiddel.
- Brug ikke ståluld.

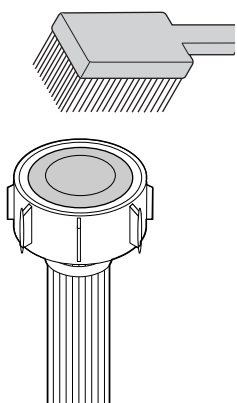
Rengør haneindløbsfilteret

Rengør haneindløbsfilteret hver 3. måned. Haneindløbsfilteret skal rengøres, hvis vandforsyningen bliver begrænset.

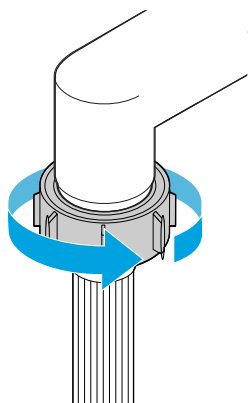
1. Luk hanen, og tag vandforsyningsslangen af hanen.



2. Rengør filteret.



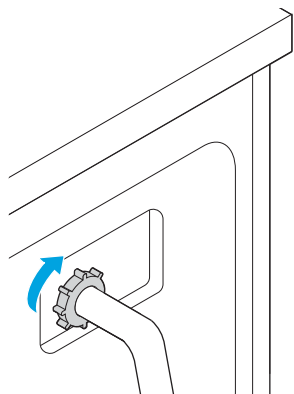
3. Sæt vandforsyningsslangen på hanen igen, og åbn hanen.



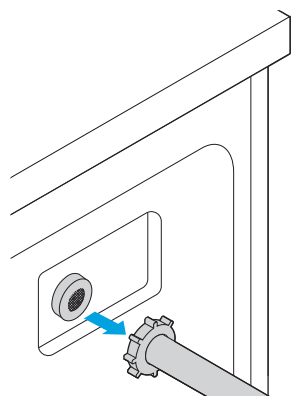
Rengør maskinindløbsfilteret

Rengør maskinindløbsfilteret hver 3. måned. Maskinindløbsfilteret skal rengøres, hvis vandforsyningen bliver begrænset.

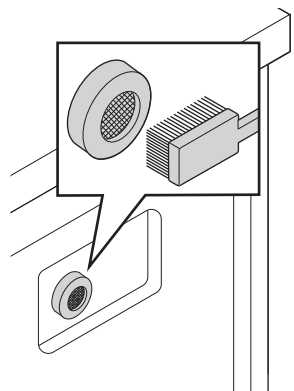
1. Luk for hanen, og skru indløbsrøret af bag på maskinen.



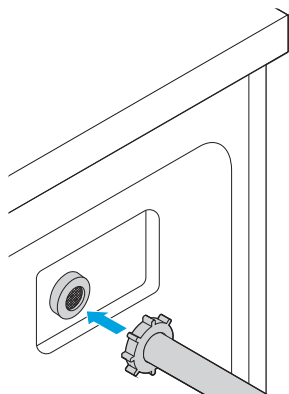
2. Afmonter indløbsrøret.



3. Rengør filteret med en børste.



4. Genmonter indløbsrøret, og åbn for hanen.



Filteret kan tages af og vaskes separat.

Rengør drænpumpefilteret

Drænpumpefilteret er beregnet til at fange fibre og små fremmedlegemer. Rengør filteret regelmæssigt for at sikre, at maskinen fungerer normalt.



ADVARSEL!

Træk stikket til maskinen ud, før du rengør filteret, for at undgå elektrisk stød.



ADVARSEL!

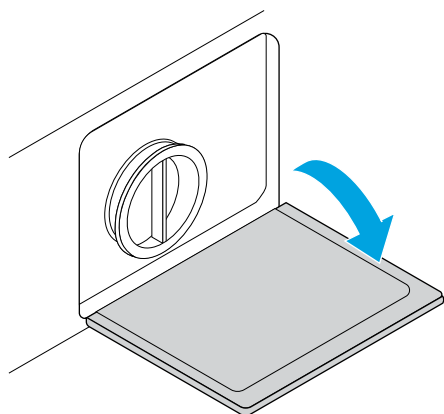
- Vær forsigtig. Vandet kan være varmt!
- Lad vaskemiddelopløsningen køle ned, før du rengør filteret.



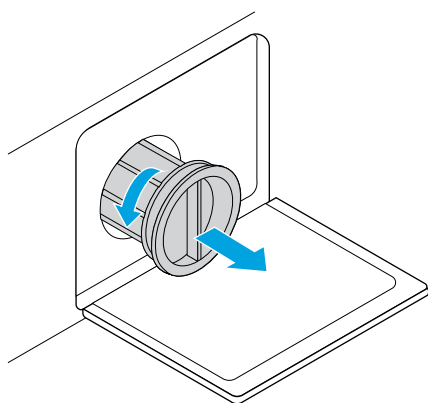
FORSIGTIG!

Afmonter aldrig pumpedækslet under en vaskecyklus. Vent altid, indtil maskinen har fuldendt cyklussen og er tom.

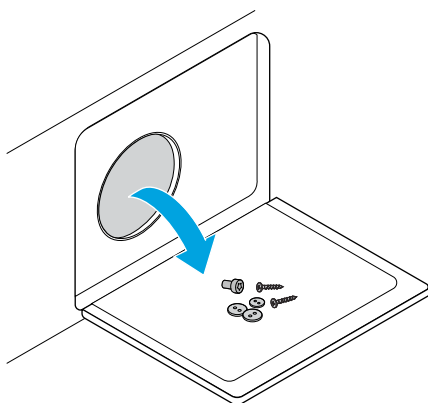
1. Åbn filterdækslet.



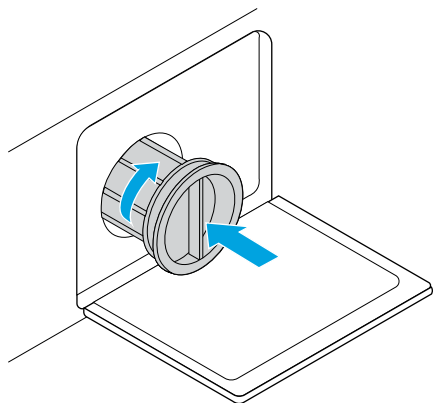
2. Drej filteret mod uret, og træk det ud.



3. Fjern eventuelle fremmedlegemer.



4. Sæt filteret i igen, og luk dækslet.

**FORSIGTIG!**

Sørg for, at ventilhætten genmonteres korrekt. Beslagene skal placeres korrekt for at undgå vandlækager.

FEJLFINDING

Maskinen starter ikke

Problemet kan have andre årsager. Følg instruktionerne for de foreslåede årsager for at løse problemet.

Lågen er ikke korrekt lukket

1. Kontrollér, om der sidder vasketøj fast.
2. Luk lågen, og prøv at starte igen.

Maskinen er ikke forbundet til strømforsyningen

Tilslut elledningen til stikkontakten.

Der er ikke valgt program

Vælg et program.

Du glemte at trykke på knappen Start/Pause



Tryk på knappen.

Maskinen er ikke tændt

Tænd for maskinen.

Displayet vises ikke

Problemet kan have andre årsager. Følg instruktionerne for de foreslåede årsager for at løse problemet.

Strømforsyningen virker ikke

1. Kontrollér, om strømforsyningen virker.
2. Hvis den ikke fungerer, skal du kontakte en autoriseret elektriker.

Netstikket er ikke tilsluttet

Tilslut netstikket til stikkontakten.

Der er ikke valgt program

Vælg et program.

Maskinen er ikke tændt

Tryk på knappen Tændt/Slukket.



Lågen kan ikke åbnes

Maskinens sikkerhedsaffåsning er aktiv

Afbryd strømmen, og genstart maskinen.

Der trænger vand ud

Forbindelsen mellem maskinen og indløbsrøret eller afløbsslange er ikke tæt

- Kontrollér og stram forbindelserne.
- Rengør afløbsslangen.

Rester af vaskemiddel i automaten

Vaskemidlet er fugtigt eller klumpet

Rengør og aftør vaskemiddelautomaten. Se afsnit "Rengør vaskemiddelautomaten", [side 206](#).

Indikator eller display vises ikke

Problem med elektriske forbindelser

Kontrollér, at strømmen er slået til, og at stikket er korrekt tilsluttet.

Unormal støj

Problemet kan have andre årsager. Følg instruktionerne for de foreslåede årsager for at løse problemet.

Transportboltene er ikke blevet fjernet

Fjern transportboltene. Se afsnit "Fjern transportboltene", [side 220](#).

Maskinen står ikke vandret

Sæt maskinen i vater. Se afsnit "Sæt maskinen i vater", [side 222](#).

Fejlkoden E10 vises

Problem med vandindsprøjtning under vask

- Kontrollér, om vandtrykket er for lavt.
- Ret vandrøret ud.
- Kontrollér, om indløbsventilens filter er blokeret.

Fejlkoden E12 vises

Vandet strømmer over

Genstart maskinen.

Fejlkoden E21 vises

Vandet tager for lang tid at løbe ud

Kontrollér, om afløbsslangen er blokeret.

Fejlkode E30 vises

Lågen lukker ikke korrekt

1. Kontrollér, om der sidder tøj fast.
2. Luk lågen, og prøv at starte igen.

Fejlkode EXX vises

Andet problem

Prøv igen, og kontakt supporten, hvis problemet fortsætter. Kontakt **Elvita Support**, hvis du har brug for hjælp med produktet.

INSTALLATION

Følg vejledningen i dette afsnit for at montere maskinen.



ADVARSEL!

- Hvis ledningen beskadiges, skal den udskiftes af producenten, producentens servicerepræsentant eller en tilsvarende autoriseret montør for at undgå fare.
- Brug de nye slangesæt, der leveres sammen med maskinen. Genbrug ikke de gamle slangesæt.
- For din egen sikkerhed skal stikket tilsluttes en kontakt med jordforbindelse. Kontrollér omhyggeligt, at kontakten er korrekt og sikkert jordat.
- Sørg for, at maskinen tilsluttes til vand og el af en korrekt kvalificeret person i henhold til producentens vejledning og lokale sikkerhedsbestemmelser.



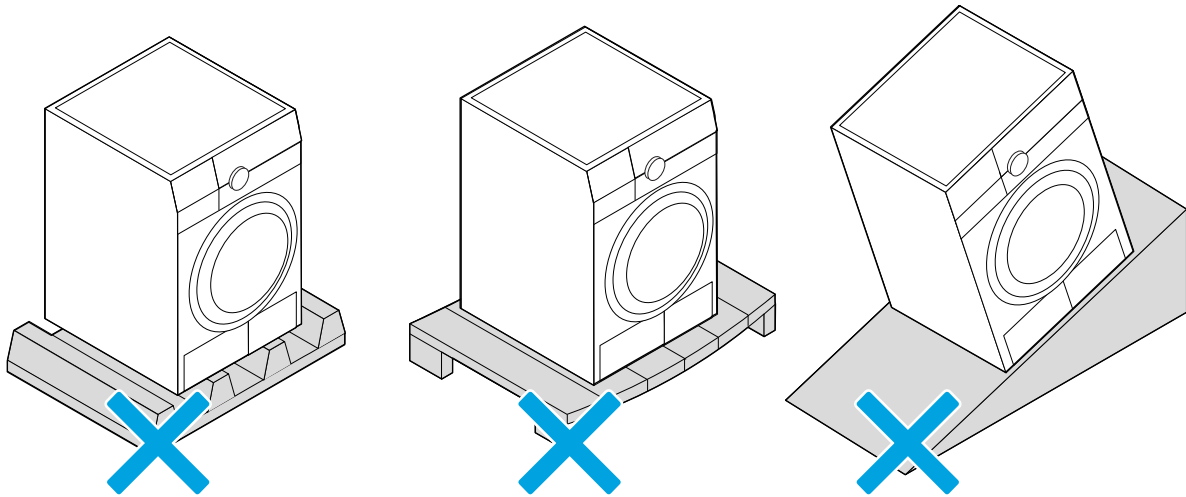
FORSIGTIG!

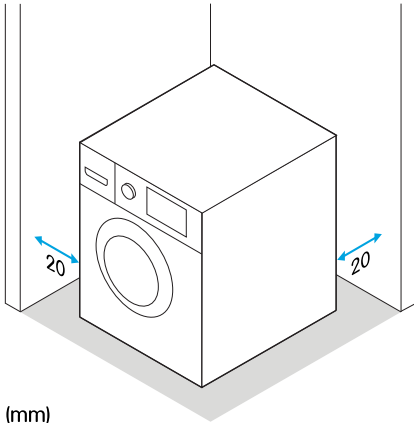
Indløbsslangen skal tilsluttes til en koldt vandshane.

Monteringsområde

Husk følgende, når du vælger en placering til montering af maskinen:

- Undgå direkte sollys.
- Tilstrækkelig ventilation.
- Rumtemperatur over 0 °C.
- Hold afstand til varmekilder såsom kul- eller gasovne.
- Overfladen skal være fast, tør og jævn. Stabilitet er vigtig for at forhindre maskinen i at vandre.





(mm)

**ADVARSEL!**

- Sørg for, at maskinen ikke står på strømledningen.
- Der skal være adgang til stikket efter montering.

**ADVARSEL!**

Maskinen må ikke bruges i meget fugtige rum eller rum, hvor der er risiko for eksplosive eller ætsende gasser.

**FORSIGTIG!**

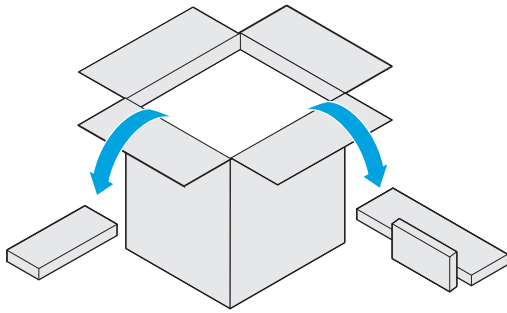
- Maskinen er kun til indendørs brug.
- Maskinen er ikke beregnet til indbygning.
- Åbningerne må ikke blokeres af et tæppe.

Pak maskinen ud

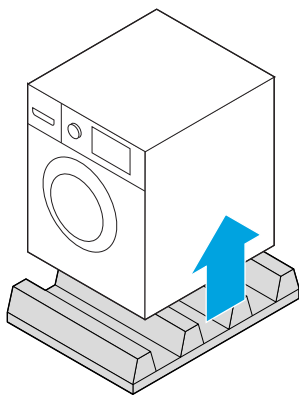
**ADVARSEL!**

Fjern al emballage og transportbolte, før maskinen anvendes. Ellers kan det medføre alvorlig beskadigelse.

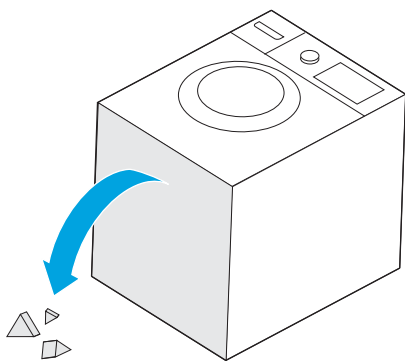
1. Fjern papkassen og flamingoemballagen.



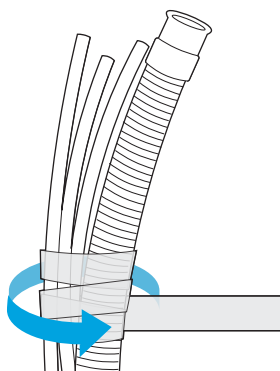
2. Løft produktet, og fjern emballagen på soklen.



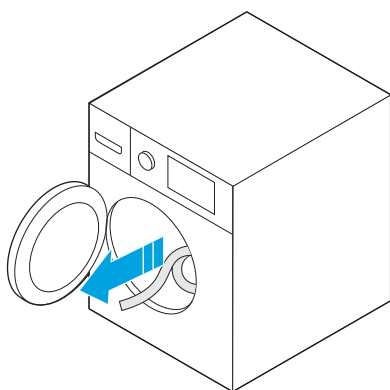
3. Læg produktet ned på siden, og fjern de små trekantede stykker skum i bunden.



4. Fjern det tape, der holder strømledningen og afløbsslangen.



5. Tag det tilbehør, der ligger i tromlen, ud.



ADVARSEL!

Hold al emballage på god afstand af børn. Der er risiko for kvælning!

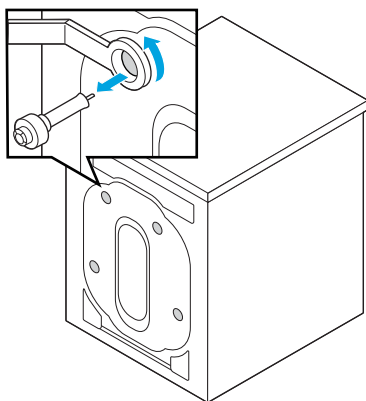
Fjern transportboltene



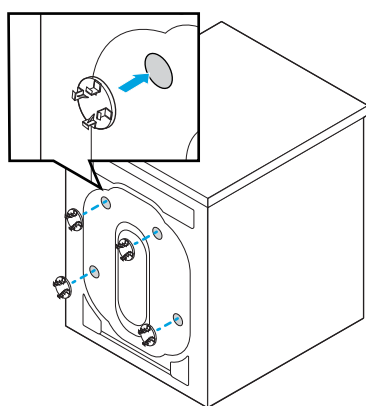
ADVARSEL!

Du skal fjerne transportboltene fra bagsiden, før du bruger maskinen.

1. Løsn boltene med en skruenøgle, og afmonter dem.

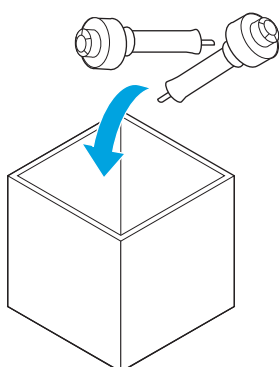


2. Tilprop hullerne med transporthulspropperne.



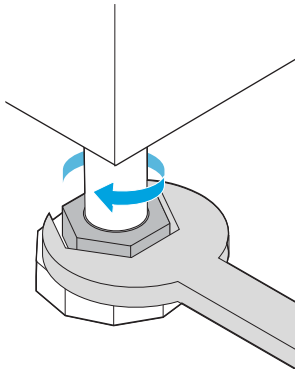
3. Opbevar boltene et sikkert sted.

BEMÆRK! Du skal bruge transportboltene igen, hvis du vil flytte maskinen.

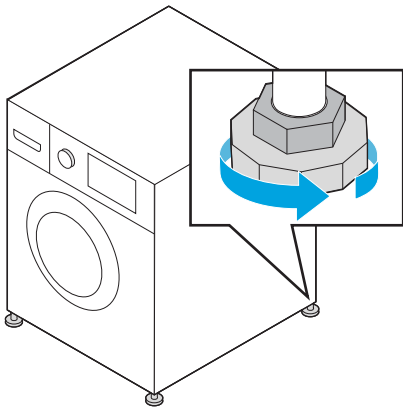


Sæt maskinen i vater

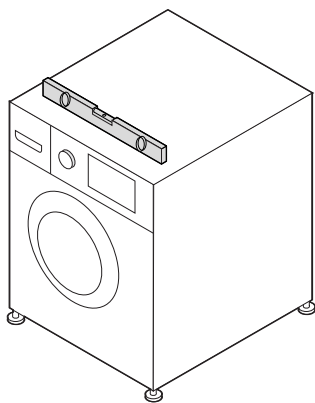
1. Løsn møtrikkerne, og skru fødderne helt ind.
Kontrollér, om nogen af fødderne ikke rører gulvet.



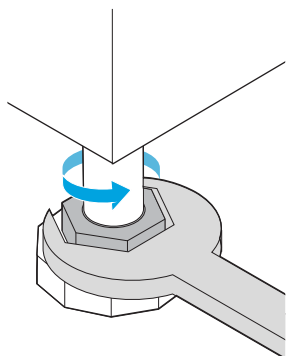
2. Hvis nogen af fødderne ikke rører gulvet, skal du skru foden ud, indtil den har kontakt med gulvet.



3. Brug et vaterpas til at kontrollere, om vaskemaskinen står helt i vater, og justér fødderne igen, hvis det er nødvendigt.

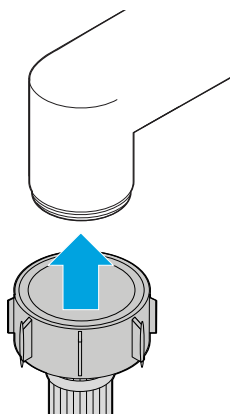


4. Stram møtrikkerne med en skruenøgle, og sørg for, at maskinen står stabilt.
ADVARSEL! Låsemøtrikkerne på alle fire fødder skrues stramt ind mod kabinettet.

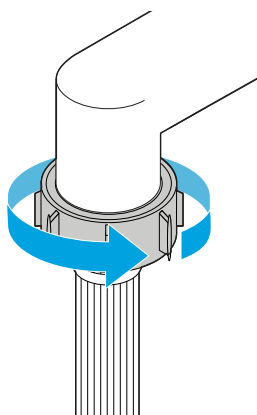


Tilslut vandforsyningslangen til en hane

1. Løft slangen op til hanen.

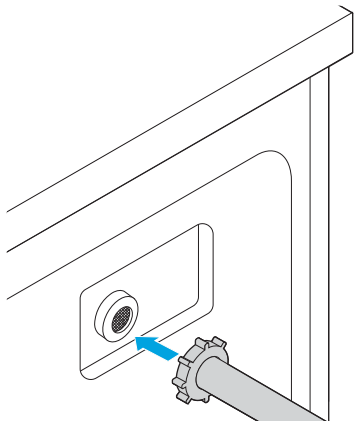


2. Skru tilslutningsstykket på gevindet på hanen.

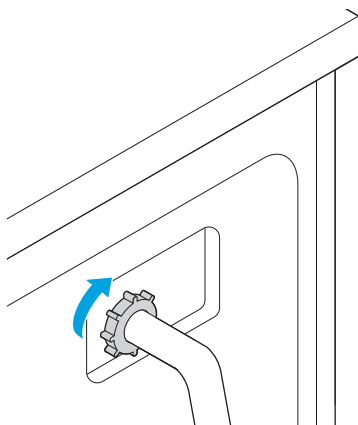


Tilslut vandforsyningsslangen til maskinen

1. Løft forsyningsslange til indløbsventilen på bagsiden af maskinen.



2. Skru koblingen på gevindet på hanen, indtil den er stram.



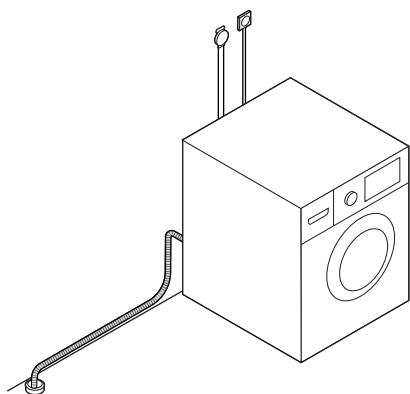
Tilslut til et eksternt afløb



FORSIGTIG!

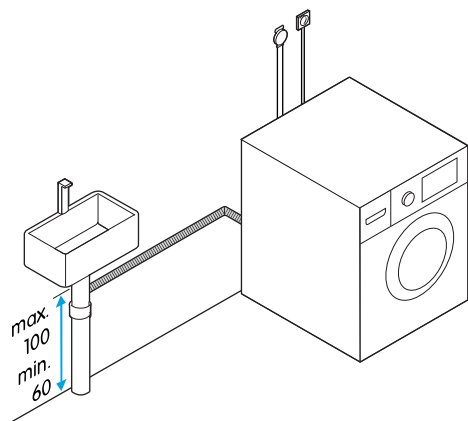
- Afløbsslangen må ikke knækkes eller strækkes.
- Placér afløbsslangen korrekt, da den kan medføre vandlækage, hvis den beskadiges.
- Enden af afløbsslangen må ikke nedsænkes i spildevandet. Hvis slangen nedsænkes, kan det hæmme afløbet og få spildevandet til at løbe tilbage ind i maskinen.

Placér afløbsslangen i et gulv afløb



Tilslut afløbsslangen til afløbsrøret på en vask

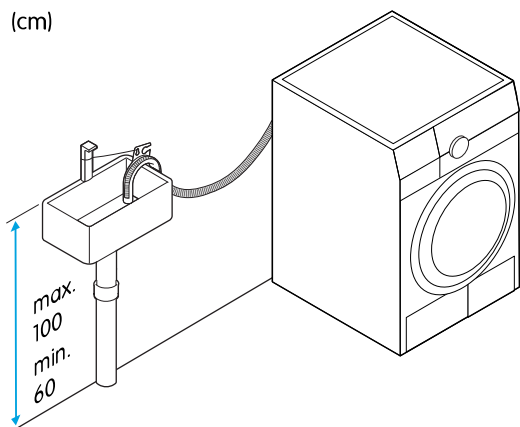
(cm)



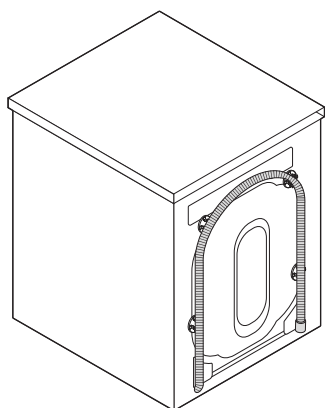
Placér afløbsslangen i en vask

Brug afløbsslangens holder til at holde afløbsslangen bøjet nedad i vasken, uden at slangen knækker.

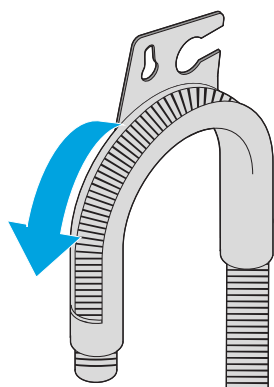
(cm)



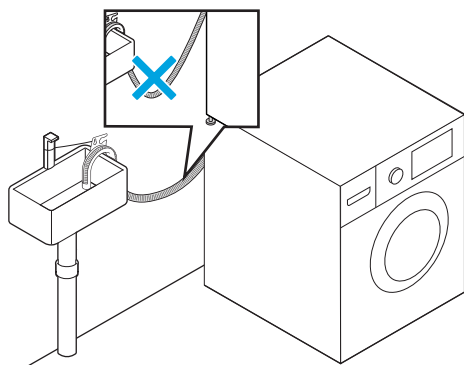
1. Afmonter forsigtigt afløbsslangen fra klemmerne.



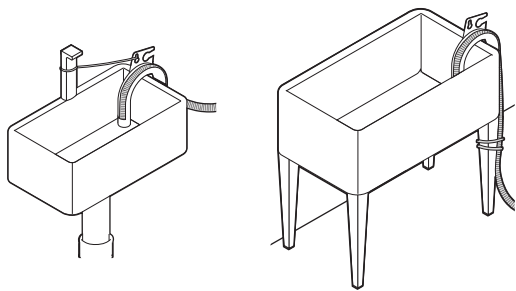
2. Indsæt afløbsslangen i slangeholderen.



3. Læg slangeholderen over kanten på vasken.



4. Fast afløbsslangen til vasken med en snor, klemme eller kabelbinder.



TILLÆG

Tekniske specifikationer


BEMÆRK!

Nominal kapacitet betyder vægten af tør vasketøj.

Modelkode	Se afsnit "Find modelkoden", side 194
Bredde	595 mm
Dybde	565 mm
Højde	850 mm
Vægt	68 kg
Nominal kapacitet	8 kg
Maksimal centrifugeringsomdrejninger	1400 o/min.
Strømforsyning	220-240 V, 50 Hz
Maksimal strømstyrke	10 A
Mærkeeffekt	2000 W
Standardvandtryk	0,05 MPa ~ 1 MPa

Energieffektivitet

Du kan finde oplysninger om dette produkts energieffektivitet i EPREL, EU's produktregister for energimærkning. Gå til EPREL's websted, og brug modelkoden til at finde oplysningerne. Modelkoden kan findes på energimærket til produktet.

EPREL's websted: <https://eprel.ec.europa.eu/>



Forbrugsværdier

Faktiske værdier for en vaskecyklus kan afvige fra de værdier, der er angivet her. De værdier, der er angivet for andre programmer end programmet ECO 40-60 er kun vejledende.

Program	Den vasketøjsmængde, hvor værdierne er opnået (nominel kapacitet for det specifikke program medmindre andet er angivet) (kg)	Programvarighed (timer: minutter)	Energiforbrug (kWh pr. cyklus)	Vandforbrug (liter pr. cyklus)	Maks. temperatur opnår i min. 5 minutter inde i vasketøjet under vaskecyklussen (°C)	Resterende fugtindhold og centrifugerings hastighed (o/min.), hvor værdien blev opnået
20 °C	4,0	1:01	0,183	44	20	65 % / 1000
Bomuld (60 °C)	8,0	3:39	1,120	71	40	53 % / 1400
ECO 40-60	8,0 (Nominel kapacitet)	3:38	0,857	59	34	53 % / 1400
	4,0 (Halvdelen af nominel kapacitet)	2:48	0,504	46	29	53 % / 1400
	2,0 (En fjerdedel af nominel kapacitet)	2:48	0,240	37	21	53 % / 1400
Intensiv	8,0	3:48	1,136	71	40	70 % / 800
Materiemix	8,0	1:20	0,754	71	40	65 % / 1000
Kort 15 min.	2,0	0:15	0,030	40	15	75 % / 800

EU-direktiver og standarder

Dette produkt opfylder de relevante EU-direktiver og bestemmelser og bærer CE-mærkningen. Hvis EU-overensstemmelseserklæringen ikke følger med produktet, fås en kopi på anmodning.

- Produktets ydeevne skal afprøves i overensstemmelse med standard EN 60456 for vaskemaskiner.
- Angående EU-forordning 2019/2023, energiprøvningsprogram: ECO 40-60; andre indstillinger: standard.

Sisällysluettelo

TURVALLISUUS	234
Huomautukset.....	234
Aiottu käyttötarkoitus.....	234
Lasten ja vajaakykyisten henkilöiden turvallisuus	234
Yleinen turvallisuus.....	235
Turvallisuus asennuksen aikana	235
Turvallisuus käytön aikana.....	236
Turvallisuus huollon aikana.....	237
Hävittäminen.....	237
PIKAOPAS	238
Pikaopas.....	238
ALOITTAMINEN	239
Pesukoneeseen tutustuminen.....	239
Säätimet.....	239
Näytön symbolit.....	239
Pesuaineen annostelija.....	239
Lisävarusteet.....	240
Käytä lapsilukkoa	240
Etsi mallikoodi.....	240
Ennen ensimmäistä käyttökertaa	241
Kalibroi kone.....	241
Suorita pesusykli tyhjänä	241
PESU	242
Ennen jokaista pesua.....	242
Aloita pesu	243
Lisävalinnat, asetukset ja toiminnot.....	244
Lisävalinnat, asetukset ja toiminnot	244
Vaihda likatasoa.....	245
Muuttaa linkousnopeutta.....	245
Vaihda lämpötila	245
Käytä Viive-lisävalintaa	245
Käytä Lisähuuhtelu-lisävalintaa.....	245
Käytä Esipesu-lisävalintaa	245
Käytä SpaCare-lisävalintaa	246
Käytä Pikapesu-lisävalintaa.....	246
Käytä Oma valinta -toimintoa.....	246
Lisää pyykkiä - lisää pyykkiä pesun aikana.....	246
Mykistä äänimerkki ja poista sen mykistys.....	246
Pesuhjelmat.....	247
20 °C	247
Vauvanvaatteet	247

Petivaatteet	247
Puuvilla	248
Rummun puhdistus	248
ECO 40-60	249
Tehopesu	249
Sekoitekankaat	249
Oma valinta	250
Linkous	250
Tekokuitu	250
Lyhyt 15 min	250
Huuhtelu	251
Villa	251
PUHDISTUS	252
Puhdista ulkopinta	252
Puhdista pesuaineen annostelija	252
Puhdista rumpu	253
Puhdista luukun tiiviste ja lasi	254
Puhdista hanan tulosuodatin	254
Puhdista koneen tulosuodatin	255
Puhdista poistopumpun suodatin	257
VIANMÄÄRITYS	260
Kone ei käynnisty	260
Näyttö ei kytkeydy päälle	260
Luukkaa ei voi avata	260
Vettä vuotaa	261
Pesuainejäätymää annostelijassa	261
Ilmaisain tai näyttö ei kytkeydy päälle	261
Poikkeava ääni	261
E10-virhekoodi näkyy	261
E12-virhekoodi näkyy	261
E21-virhekoodi näkyy	261
E30-virhekoodi näkyy	262
EXX-virhekoodi näkyy	262
ASENTAMINEN	263
Asennuspaikka	263
Pura kone pakkauksesta	264
Irrota kuljetuspultit	266
Aseta kone vaakasuoraan	268
Kytke vedenottoletku hanaan	269
Kytke vedenottoletku koneeseen	270
Kytke ulkoiseen viemäriin	270
Aseta poistoletku lattiakaivoon	271
Kytke poistoletku lavuaarin viemäriputkeen	271

Aseta poistoletku lavuaariin	271
LIITE	274
Tekniset tiedot	274
Kulutusarvot	274
EU-direktiivit ja -standardit	275

TURVALLISUUS

Lue ohjeet huolellisesti ennen tuotteen asentamista ja käyttämistä. Säilytä ohjeet ja pidä ne lähellä tuotetta tulevaa käyttöä varten. Kaikki takuut raukeavat, jos näitä ohjeita ei noudateta.

Huomautukset


VAROITUS!

Käytetään, kun henkilövahinkojen riski on olemassa.


OLE VAROVAINEN!

Käytetään, kun tuotteen vahingoittumisen riski on olemassa.


HUOMAA!

Yleisiä tietoja, jotka käyttäjän tulee tietää.



Vinkkejä, joista voi olla hyötyä.

Aiottu käyttötarkoitus

Tämä tuote on tarkoitettu vain seuraaviin käyttötarkoituksiin:

- Sisäkäyttö kotitaloudessa tai kodinomaisessa ympäristössä, kuten:
 - kauppojen, toimistojen ja muiden työpaikkojen henkilöstön keittiötilat
 - kodit
 - asiakaskäyttö hotelleissa, motelleissa ja muissa majoitustiloissa
 - aamiaismajoituspaikoissa.
- Konepestävien vaatteiden ja tekstiilien pesu pesuaineliuoksessa.
- Pesu kuluttajakäyttöön myytävillä vähän vaahtoavilla pesuaineilla ja hoitotuotteilla, jotka sopivat käytettäväksi edestä täytettävässä pesukoneessa tai pesukone-kuivausrummussa.

Tätä tuotetta ei ole tarkoitettavaksi integroitavaksi kaappiin.

Lasten ja vajaakykyisten henkilöiden turvallisuus


VAROITUS!

Anna seuraaviin ryhmiin kuuluvien henkilöiden käyttää tuotetta vain, jos he ovat valvonnassa tai jos heille on annettu ohjeet tuotteen turvallisista käyttötavoista. Heidän on ymmärrettävä käyttöön liittyvät vaarat.

- Lapset. (Alle 8-vuotiaiden lasten tulee olla jatkuvassa valvonnassa.)
- Henkilöt, joilla on rajallinen fyysinen, aisti- tai henkinen kapasiteetti.
- Henkilöt, joilla ei ole kokemusta ja osaamista.


VAROITUS!

- Älä anna lasten leikkiä tuotteella.
- Älä anna lasten puhdistaa tuotetta ilman valvontaa.


VAROITUS!

Vaarana on, että eläimet ja lapset saattavat kiivetä tuotteen sisään. Tarkista laitteen sisus aina ennen käyttöä.


VAROITUS!

Lasiluukku voi tulla erittäin kuumaksi käytön aikana. Pidä lapset ja lemmikit erossa tuotteesta käytön aikana.

Yleinen turvallisuus

**VAROITUS!**

- Älä pese tai kuivaa tekstiilejä, jotka on puhdistettu, pesty, liotettu tai kostutettu syttyvillä tai räjähtävillä aineilla, kuten vahalla, öljyllä, maalilla, bensiinillä, rasvanpoistoaineilla, kuivapesuliuottimilla, kerosiinilla jne. Seurauksena voi olla tulipalo tai räjähdys.
- Huuhtelee tällaiset pyykki huolellisesti käsin ennen pesemistä.

**VAROITUS!**

Sähköiskun vaara!

- Vahingoittuneen virtajohdon saa turvallisuussyistä vaihtaa vain valmistaja tai sen valtuuttama huoltoliike tai vastaava pätevä asiantuntija.
- Jos kone on vaurioitunut, sitä ei saa käyttää, ellei valmistaja, sen valtuutettu huoltoyritys tai vastaavat pätevät henkilöt ole korjanneet sitä.
- Ennen tuotteen puhdistusta tai huoltotöiden tekemistä irrota tuote verkkovirrasta.
- Älä käytä pistoketta, jonka nimellisvirta on pienempi kuin tuotteen.
- Älä koskaan vedä virtapistoketta pistorasiasta märillä käsillä.

**OLE VAROVAINEN!**

- Älä kiipeä tai istu tuotteen päälle.
- Älä nojaa tuotteen luukkuun.
- Älä sulje ovea liian suurella voimalla. Jos luukun sulkeminen on vaikeaa, tarkista, ettei pyykkiä ole sen välissä.
- Älä pese mattoja tuotteessa.

**OLE VAROVAINEN!**

Tuotetta siirtäessä:

- Asianmukaisesti pätevän henkilön on asennettava kuljetuspultit takaisin koneeseen.
- Koneessa mahdollisesti oleva vesi on poistettava koneesta.
- Käsittele tuotetta varoen. Älä koskaan nosta konetta ulostyöntöviiden osien varassa.
- Älä käytä tuotteen luukkuja sen nostamiseen kuljetuksen aikana.
- Tämä tuote on painava. Kuljeta varoen.

Turvallisuus asennuksen aikana

**VAROITUS!**

Ennen tuotteen asennusta tarkasta se ulkoisesti näkyvien vaurioiden varalta. Älä asenna tai käytä vaurioitunutta tuotetta.

**VAROITUS!**

Älä asenna konetta

- kylpyhuoneessa tilanteessa, jossa on riski suorasta kosketuksesta veden kanssa, esimerkiksi vesisuihku suihkusta, vesi kylpyammeesta tai erittäin märkä huone tai huone, jossa on suuri ilmankosteus.
- tilaan, jossa on räjähdysvaarallisia tai syövyttäviä kaasuja tai
- lukittavan oven, liukuoven tai tuotteesta katsoen vastakkaisella puolella olevalla saranalla varustetun oven taakse.

**VAROITUS!**

Riittävä ilmanvaihto tarvitaan, jotta kaasut eivät virtaa takaisin tilaan muita polttoaineita polttavista laitteista, avotuli mukaan luettuna.

**VAROITUS!**

- Ota kaikki pakkausmateriaalit ja kuljetuspultit pois ennen tuotteen käyttöä. Muuten seurauksena voi olla vakava vahinko.
- Pidä kaikki pakkausmateriaalit poissa lasten ulottuvilta. Tukehtumisvaara!

**VAROITUS!**

- Varmista, että asianmukaisen pätevyuden omaava henkilö on kytkenyt tuotteen vesi- ja sähköverkkoon valmistajan ohjeiden ja paikallisten turvallisuusmääräysten mukaisesti.
- Vahingoittuneen virtajohdon saa turvallisuussyistä vaihtaa vain valmistaja tai valmistajan valtuuttama huoltoliike tai vastaava pätevä asiantuntija.
- Kytke virtapistoke maadoitettuun kolminapaiseen pistorasiaan. Tarkista huolellisesti, että pistorasia on asianmukaisesti ja luotettavasti maadoitettu.
- Tarkista, että koneen virtapistoke on ulottuvilla asennuksen jälkeen ja ettei kone ole virtajohdon päällä.
- Kun asetat konetta vaakasuoraan, kaikkien neljän jalan lukitusmutterit on kiristettävä tiukasti koteloa vasten.
- Tarviittaessa varmista, että esimerkiksi matto ei tuki tuotteen pohjassa olevia ilmanvaihtoaukkoja.
- Käytä tuotteen mukana toimitettuja uusia letkusarjoja. Älä käytä vanhoja letkusarjoja uudelleen.

**OLE VAROVAINEN!**

- Tuloletku on kytkettävä kylmän veden vesijohtoverkkoon.
- Älä taivuta, purista tai irrota veden tuloletkua.
- Älä taivuta tai venytä poistoletkua.
- Vedä poistoletku asianmukaisesti, sillä se voi aiheuttaa vesivuodon vaurioituneena.
- Jos poistoletku on liian pitkä, älä tunge sitä väkisin koneen sisään, sillä tämä aiheuttaa epätavallisia ääniä.

**OLE VAROVAINEN!**

- Tuote on kalibroitava ennen sen ensimmäistä käyttökertaa.
- Ennen kuin peset pyykkiä ensimmäistä kertaa, pesuohjelma on suoritettava loppuun rumpu tyhjänä.

Turvallisuus käytön aikana

**VAROITUS!**

- Syttyvät, räjähtävät tai myrkylliset liuottimet ovat kiellettyjä. Bensiiniä ja alkoholia tms. ei saa käyttää pesuaineena. Käytä vain konepesuun sopivia pesuaineita.

**VAROITUS!**

- Irrota tuotteen virtapistoke ja katkaise veden syöttö aina käytön jälkeen.

**VAROITUS!**

- Varo palovammoja, kun kuuma vesi poistuu tuotteesta.
- Jos tuotteessa on toiminto, jolla voi tauottaa pesuohjelman ja lisätä lisää vaatteita, älä käytä toimintoa, kun veden pinta on yli sisärummun kehän tai lämpötila-asetus on korkea.
- Kun rumpu pyörii edelleen ja rummussa on paljon kuumaa vettä, luukun avaaminen ei ole turvallista, eikä luukua voi avata väkisin.
- Älä koskaan lisää vettä käsin pesun aikana.

**OLE VAROVAINEN!**

- Kun pesuohjelma on valmis:
 - odota kaksi minuuttia ennen luukun avaamista ja
 - tarkista, onko rummun sisällä oleva vesi poistunut, ennen kuin avaat luukun. Älä avaa luukua, jos vettä näkyy.

**OLE VAROVAINEN!**

- Huuhteluaineita tai vastaavia tulee käyttää huuhteluaineen ohjeiden mukaisesti.
- Terävät ja lujat esineet, kuten kolikot, rintaneulat, naulat, ruuvit, kivet jne., voivat aiheuttaa vakavia vaurioita tälle koneelle. Tarkista, että kaikki taskut ovat tyhjiä.

**OLE VAROVAINEN!**

- Tuote on kalibroitava ennen sen ensimmäistä käyttökertaa.
- Ennen kuin peset pyykkiä ensimmäistä kertaa, pesuohjelma on suoritettava loppuun rumpu tyhjänä.

Turvallisuus huollon aikana

**VAROITUS!**

- Vain valtuutetut asentajat saavat tehdä korjauksia.
- Jos kohtaat tuotteen käytössä ongelmia, joita kattavan käyttöohjeen vianmäärittystiedot eivät auta ratkaisemaan, sammuta virta tuotteesta, irrota se virtalähteestä, kytke veden syöttö pois ja ota yhteyttä tukeemme.

**VAROITUS!**

Kytke virran ja veden syöttö tuotteeseen pois ennen minkään huoltotoimien tekemistä.

**VAROITUS!**

Käytön aikana poistopumpussa voi olla kuumaa vettä. Älä koskaan irrota pumpun kantta pesusyklin aikana, odota aina, että tuote on saanut syklin loppuun ja kaikki vesi on tyhjenetty.

**OLE VAROVAINEN!**

- Älä käytä tämän tuotteen puhdistamiseen liuottimia, alkoholia, muurahaishappoa sisältäviä tuotteita, hankaavia puhdistusaineita, lasinpuhdistusaineita tai yleispuhdistusaineita. Muovipinnat ja muut osat voivat vahingoittua.
- Käytä käsineitä, kun puhdistat tuotetta.
- Jos pumpun kantta ei asenneta oikein takaisin poistopumpun suodattimen puhdistuksen jälkeen, tästä aiheutuu vesivuodon riski.

Hävittäminen



Hävitä pakkaus ympäristöystävällisesti. Kansallisten ja paikallisten määräysten mukainen pakkausten kierrättäminen voi vähentää raaka-aineiden kulutusta ja kaatopaikoille päätyvän jätteen määrää.

Tämä tuote on merkitty eurooppalaisen sähkö- ja elektroniikkalaiteromua koskevan direktiivin 2012/19/EU mukaisesti. Tuotteessa tai sen pakkauksessa oleva symboli osoittaa, ettei tätä tuotetta tule hävittää kotitalousjätteenä. Sen sijaan se tulee toimittaa asianmukaiseen keräyspisteeseen sähkö- ja elektroniikkalaiteromun kierrätykseen.

Varmistamalla tuotteen asianmukaisen hävittämisen autat estämään ympäristölle ja ihmisten terveydelle aiheutuvia haitallisia vaikutuksia, joita voi aiheutua tämän tuotteen epäasianmukaisesta hävittämisestä. Lisätietoja tämän laitteen kierrätyksestä saat ottamalla yhteyttä paikalliseen jätehuollosta vastaavaan viranomaiseen, jätehuoltopalveluusi tai tuotteen myyneeseen liikkeeseen.

PIKAOPAS

Pikaopas

Ennen pesua

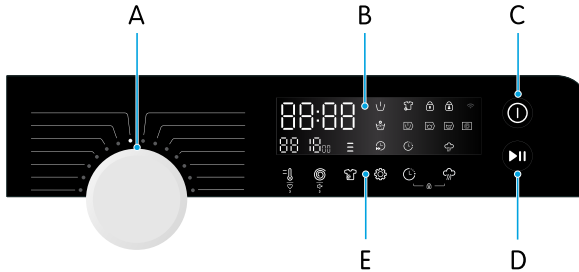
Pesu

Pesun jälkeen

ALOITTAMINEN

Pesukoneeseen tutustuminen

Säätimet



- A. Ohjelmanvalitsin
- B. Näyttö
- C. On/Off
- D. Käynnistys/keskeytys
- E. Lisävalinnat, asetukset ja toiminnot

Näytön symbolit



Esipesu



Lisää pyykkiä



Luukun lukko



Lapsilukko



Lisähuuhtelu



Syklin vaihe: Esipesu



Syklin vaihe: Pesu



Syklin vaihe: Huuhtelu



Syklin vaihe: Linkous



Pikapesu

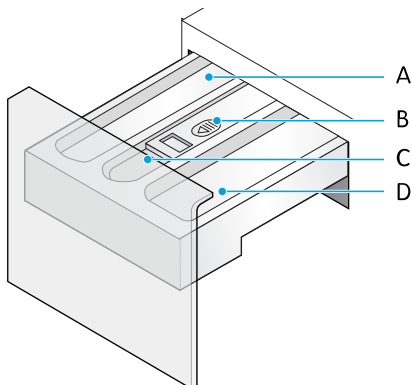


Viive



SpaCare

Pesuaineen annostelija



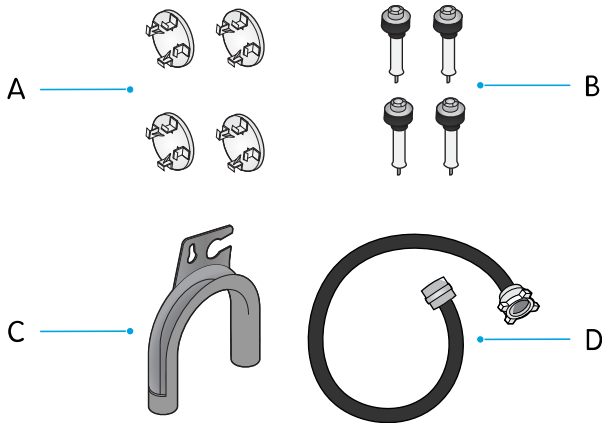
- A. Pääpesun pesuaine
- B. Pesuainelukko (irrota annostelija painamalla alas)
- C. Huuhteluaine
- D. Esipesun pesuaine



VAROITUS!

Syttyvät ja räjähtävät tai myrkylliset liuottimet ovat kiellettyjä. Bensiiniä ja alkoholia tms. ei saa käyttää pesuaineena. Käytä vain konepesuun sopivia pesuaineita.

Lisävarusteet



- A. Kuljetusreiän tulpat
- B. Kuljetuspultit
- C. Poistoletkun pidin
- D. Vedenottoletku

Kuljetusreiän tulpat

Reikien tulppaamiseen, kun kuljetuspultit on otettu pois.

Kuljetuspultit

Koneen suojaamiseen kuljetuksen aikana.

Poistoletkun pidin

Letkun kiinnittämiseen ja taittumien estämiseen esimerkiksi, kun letku laitetaan lavaarin reunan yli.

Vedenottoletku

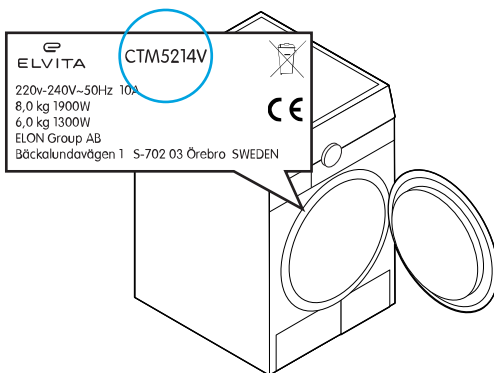
Koneen kytkemiseen vesijohtoverkkoon.

Käytä lapsilukkoa

Aktivoi lapsilukko lasten tahattoman käytön estämiseksi.

1. Kosketa ja 3 sekunnin ajan, kunnes äänimerkki kuuluu.
Kaikki painikkeet paitsi lukittuvat.
2. Poista lapsilukko käytöstä painamalla ja 3 sekunnin ajan.
HUOMAA! Virran sammuttaminen ja kytkeminen ei poista lapsilukkoa käytöstä.

Etsi mallikoodi



Mallikoodi on painettu tuotteessa olevaan kilpeen. Tarvitset koodin löytääksesi kattavat ja uusimmat tiedot, huoltoa ja tukea tuotemallillesi.



HUOMAA!

Tämä tuote ja merkinnän teksti ovat esimerkkejä. Tuotteesi ja tekstisi voivat olla ulkoasultaan ja sisällöltään erilaisia.

Ennen ensimmäistä käyttökertaa

Kalibroi kone

1. Tarkista, että kone on tyhjä
2. Kytke virtajohto.
3. Kytke virta koneeseen painamalla .
4. Paina 10 sekunnin kuluessa virran kytkemisestä koneeseen  ja , kunnes **t19** näkyy näytöllä.
5. Paina .
HUOMAA! Kalibrointi on valmis, kun rumpu lakkaa pyörimästä ja numeroita näkyy näytöllä.

Suorita pesusykli tyhjänä

Tarkista, että kone on asennettu ja kalibroitu oikein.

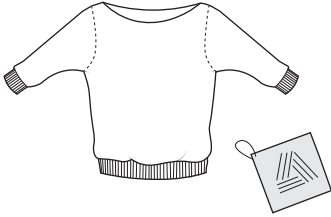
1. Kytke virtajohto.
2. Avaa vesihana.
3. Käynnistä pesuohjelma.
HUOMAA! Älä laita pyykkiä koneeseen.

Kone on käyttövalmis, kun ohjelma on suoritettu loppuun.

PESU

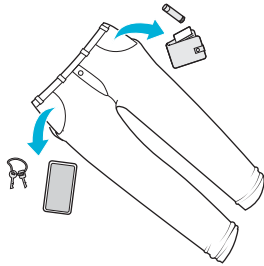
Ennen jokaista pesua

1. Tarkista vaatteiden hoito-ohjemerkinnot.

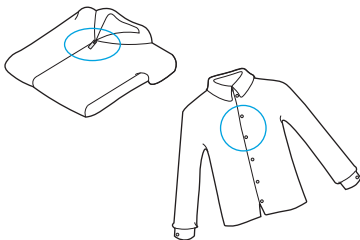


2. Ota kaikki tavarat pois taskuista.

OLE VAROVAINEN! Terävät ja lujat esineet, kuten kolikot, rintaneulat, naulat, ruuvit, kivet jne., voivat aiheuttaa vakavia vaurioita tälle pesukoneelle.



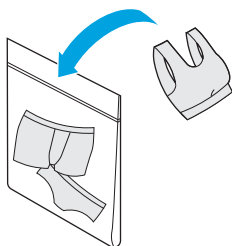
3. Solmi mahdolliset vyöt ja kiinnitä vetoketjut tai napit.



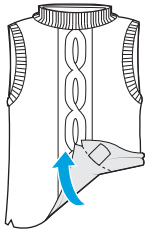
4. Laita pienet esineet pesupussin sisään.



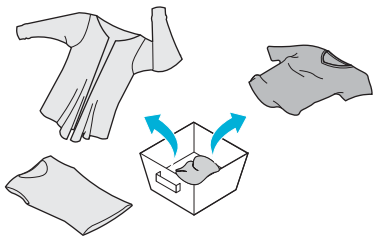
Voit käyttää myös tynnyliinaa.



5. Käännä helposti nyppyntyvät ja pitkäkarvaiset kankaat nurin



6. Erottele vaatteet kangastyyppin mukaan.



Aloita pesu



OLE VAROVAINEN!



Tarkista ennen pesua, että kone on asennettu oikein.



HUOMAA!

Säästä energiaa ja vettä.

- Täysin pesukoneellisten peseminen säästää energiaa ja vettä. Enimmäiskapasiteetti vaihtelee ohjelman mukaan.
- Yleisesti ottaen mitä matalampi ohjelman lämpötila ja pidempi kesto, sitä vähemmän se kuluttaa energiaa.

1. Kytke virta painamalla .
2. Lisää vaatteet.
3. Valitse ohjelma kääntämällä ohjelmanvalitsinta.
4. Valitse asetukset ja lisävalinnat tarpeen mukaan.
5. Lisää pesuaine ja huuhteluaine pesuaineen annosteliijaan tarvittaessa.
HUOMAA! Käytä pestävälle pyykille, valitulle pesuohjelmalle ja lämpötilalle sopivaa pesuainetta.
6. Käynnistä ohjelma painamalla .

Kun pesu on valmis, äänimerkki kuuluu ja **End** näkyy.



VAROITUS!

- Älä koskaan lisää vettä käsin pesun aikana.
- Kun ohjelma on valmis, odota kaksi minuuttia ennen luukun avaamista.
- Tarkista, onko rummun sisällä oleva vesi poistunut, ennen kuin avaat luukun. Älä avaa luukua, jos vettä näkyy.
- Varo palovammoja, kun kuuma vesi poistuu koneesta.

Lisävalinnat, asetukset ja toiminnot

Lisävalinnat, asetukset ja toiminnot

Lapsilukko



Estää koneen tahattoman käytön. Katso kappale "Käytä lapsilukkoa", sivu 240.

Viive



Viivästyttää pesuohjelman alkua määritetyllä ajalla.

Lisähuuhtelu, Esipesu, Pikapesu



- Lisähuuhtelu: Pyykkien lisähuuhtelu.
- Esipesu: Pyykkien lisäpesu ennen pääpesua. Tämä auttaa tuomaan lian vaatteiden pintaan.
- Pikapesu: Lyhentää pesuaikaa.

Lisää pyykkiä



Lisää pyykkiä pesun aikana.

Likataso



Asettaa likatason. Pesuaika pitenee suuremmilla tasoilla.

SpaCare



Höyryttää pyykin paremman pesutuloksen saavuttamiseksi.

Linkousnopeus, Mykistä/poista mykistys



- Linkousnopeus: Säätää linkousnopeutta.
- Mykistä/poista mykistys: Mykistää äänimerkin tai ottaa sen käyttöön.

Lämpötila, Oma valinta



- Lämpötila: Säättää lämpötilaa.
- Oma valinta: Tallentaa pesuohjelman ja lisävalintojen suosikkiyhdistelmäsi.

Vaihda likatasoa

1. Käy valittavissa olevat tasot läpi vähän likaisesta erittäin likaiseen koskettamalla    



HUOMAA!

Suurempi likaisuus pidentää pesuaikaa näytön ilmoittamalla tavalla.

Muuttaa linkousnopeutta

1. Käy käytävissä olevat nopeudet läpi koskettamalla : (0, 400, 600, 800, 1000, 1200, 1400)



HUOMAA!


Kun linkousnopeuden merkkivalo ei pala, linkousnopeus on 0.





HUOMAA!

Suurempi linkousnopeus tuottaa enemmän melua ja vähemmän jäännöskosteutta.

Vaihda lämpötila

1. Valitse ohjelma kääntämällä ohjelmanvalitsinta.
2. Käy käytävissä olevat lämpötilat läpi koskettamalla : (Kylmä vesi, 20 °C, 30 °C, 40 °C, 60 °C, 90 °C)

Käytä Viive-lisävalintaa

1. Valitse ohjelma kääntämällä ohjelmanvalitsinta.
2. Vaihda asetuksia ja valitse lisävalinnat tarpeen mukaan.
3. Käy käytävissä olevat viiveajat läpi koskettamalla .
4. Kosketa .
Pesusykli alkaa viiveajan kulumisen jälkeen.



Voit peruuttaa viiveajastimen käymällä valittavissa olevat viiveajat läpi koskettamalla , kunnes näytössä näkyy 0H.

Käytä Lisähuuhtelu-lisävalintaa

1. Valitse ohjelma kääntämällä ohjelmanvalitsinta.
2. Käy valittavissa olevat lisävalinnat läpi koskettamalla , kunnes  näkyy.
HUOMAA! Lisähuuhtelu -lisävalintaa voi käyttää yhdessä Esipesu lisävalinta. Käy lisävalintoja läpi, kunnes sekä  että  näkyvät.
3. Paina .

Käytä Esipesu-lisävalintaa



HUOMAA!

Sinun on lisättävä esipesun pesuaine, kun valitset tämän lisävalinnan. Katso kappale "Pesuaineen annostelija", [sivu 239](#).

1. Valitse ohjelma kääntämällä ohjelmanvalitsinta.
2. Käy valittavissa olevat lisävalinnat läpi koskettamalla , kunnes  näkyy.
HUOMAA! Esipesu -lisävalintaa voi käyttää yhdessä Lisähuuhtelu lisävalinta. Käy lisävalintoja läpi, kunnes sekä  että  näkyvät.
3. Paina .



Käytä SpaCare-lisävalintaa

Tämä lisävalinta on käytettävissä seuraavien ohjelmien kanssa: Puuvilla, Vauvanvaatteet, Petivaatteet ja Sekoitekankaat.






HUOMAA!

SpaCare parantaa pesutulosta höyryn avulla. Pesusyklin alussa vesi lämmitetään 70 °C:n lämpötilaan höyryn tuottamiseksi rummun sisään.

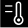
1. Valitse ohjelma kääntämällä ohjelmanvalitsinta.
2. Kosketa .
3. Paina .

Käytä Pikapesu-lisävalintaa

1. Valitse ohjelma kääntämällä ohjelmanvalitsinta.
2. Käy valittavissa olevat lisävalinnat läpi koskettamalla , kunnes  näkyy.
3. Paina .

Käytä Oma valinta -toimintoa

Voit tallentaa usein käytetyn ohjelman nopeaa käyttöä varten. Oletusohjelma on Puuvilla.

1. Valitse ohjelma ja käytettävät asetukset ja lisävalinnat.
2. Lisää nykyinen ohjelma ja asetukset muistiin koskettamalla  3 sekunnin ajan.

Ohjelma ja asetukset tallennetaan, ja niitä voi käyttää kääntämällä ohjelmanvalitsin asentoon **Oma valinta** .




Lisää pyykkiä - lisää pyykkiä pesun aikana

Voit lisätä pesuun pyykkiä keskeyttämällä ohjelman ensin.



VAROITUS!

Älä käytä tätä toimintoa, kun veden pinta on sisärummun reunuksen yläpuolella tai lämpötila-asetus on korkea.



1. Paina  3 sekunnin ajan.
 näkyy.
2. Odota, että rumpu lakkaa pyörimästä ja luukun lukitus avautuu.
VAROITUS! Kun rumpu pyörii edelleen ja rummussa on paljon kuumaa vettä, luukun lukituksen avaaminen ei ole turvallista, eikä luukua voi avata väkisin.
3. Lisää pyykki ja sulje luukku.
4. Jatka pesua painamalla .

Mykistä äänimerkki ja poista sen mykistys



HUOMAA!

Äänimerkki ei kuulu, kun se on mykistetty.

1. Mykistä äänimerkki koskettamalla  3 sekunnin ajan.
2. Peruuta äänimerkin mykistys koskettamalla  3 sekunnin ajan.

Asetus pysyy muistissa seuraavaan nollaukseen asti.

Pesuohjelmat

20 °C

20 °C oletuslämpötilana. Myös kylmän veden voi valita.

Oletuslämpötila	20 °C
Oletusaika	1:01
Oletuslinkousnopeus	1000 rpm
Enimmäistäyttö, pesu	8,0 kg
Esipesun pesuaine	–
Pääpesun pesuaine	Olennainen
Huuhteluaine	Valinnainen
Valinnat	<ul style="list-style-type: none"> • Viive • Lisähuuhtelu

Vauvanvaatteet

Pitää pesulämpötilan yli 60 °C:ssa yli 30 minuutin ajan haitallisten bakteerien poistamiseksi.

Oletuslämpötila	60 °C
Oletusaika	1:42
Oletuslinkousnopeus	800 rpm
Enimmäistäyttö, pesu	8,0 kg
Esipesun pesuaine	Valinnainen
Pääpesun pesuaine	Olennainen
Huuhteluaine	Valinnainen
Valinnat	<ul style="list-style-type: none"> • Viive • Lisähuuhtelu • Esipesu • Likataso • SpaCare • Pikapesu

Petivaatteet

Petivaatteet, lakanat tai muut suuret tekstiilit.

Oletuslämpötila	40 °C
Oletusaika	1:48
Oletuslinkousnopeus	1000 rpm

Enimmäistäyttö, pesu	8,0 kg
Esipesun pesuaine	Valinnainen
Pääpesun pesuaine	Olennainen
Huuhteluaine	Valinnainen
Valinnat	<ul style="list-style-type: none"> • Viive • Lisähuuhtelu • Esipesu • Likataso • SpaCare • Pikapesu

Puuvilla

Kulutusta ja lämpöä kestäville puuvilla- tai pellavatekstiileille.

Oletuslämpötila	40 °C
Oletusaika	3:39
Oletuslinkousnopeus	1400 rpm
Enimmäistäyttö, pesu	8,0 kg
Esipesun pesuaine	Valinnainen
Pääpesun pesuaine	Olennainen
Huuhteluaine	Valinnainen
Valinnat	<ul style="list-style-type: none"> • Viive • Lisähuuhtelu • Esipesu • Likataso • SpaCare • Pikapesu

Rummun puhdistus

Puhdistaa koneen rummun 90 °C:ssa. Ei pyykille.



Pesuvaikutuksen parantamiseksi voit käyttää pesukoneisiin tarkoitettua kloorivalkaisuainetta. Noudata valkaisuaineen mukana toimitettuja ohjeita.

Oletuslämpötila	90 °C
Oletusaika	1:18
Oletuslinkousnopeus	–
Enimmäistäyttö, pesu	–
Esipesun pesuaine	–
Pääpesun pesuaine	–
Huuhteluaine	–
Valinnat	<ul style="list-style-type: none"> • Viive

ECO 40-60

Suositellaan normaalikaiselle puuvillapyykille.

**HUOMAA!**

Tämä ohjelma pystyy pesemään hoito-ohjeiden mukaan 40 °C:ssa tai 60 °C:ssa pestävän pyykin kerralla samassa syklissä.

Oletuslämpötila	40 °C
Oletusaika	3:32
Oletuslinkousnopeus	1400 rpm
Enimmäistäyttö, pesu	8,0 kg
Esipesun pesuaine	–
Pääpesun pesuaine	Olennainen
Huuhteluaine	Valinnainen
Valinnat	<ul style="list-style-type: none"> • Viive

Tehopesu

Pesuaika pitenee paremman pesutuloksen saamiseksi.

Oletuslämpötila	40 °C
Oletusaika	3:48
Oletuslinkousnopeus	800 rpm
Enimmäistäyttö, pesu	8,0 kg
Esipesun pesuaine	-
Pääpesun pesuaine	Olennainen
Huuhteluaine	Valinnainen
Valinnat	<ul style="list-style-type: none"> • Viive

Sekoitekankaat

Sekapyykki, joka sisältää puuvilla- ja tekokuitutekstiilejä.

Oletuslämpötila	40 °C
Oletusaika	1:20
Oletuslinkousnopeus	800 rpm
Enimmäistäyttö, pesu	8,0 kg
Esipesun pesuaine	Valinnainen
Pääpesun pesuaine	Olennainen
Huuhteluaine	Valinnainen
Valinnat	<ul style="list-style-type: none"> • Viive • Lisähuuhtelu • Esipesu • SpaCare • Pikapesu

Oma valinta

Määrittää ja tallentaa pesuohjelman ja lisävalintojen suosikkijhdistelmäsi. Katso kappale "Käytä Oma valinta -toimintoa", sivu 246.

Linkous

Lisälinkous valittavalla linkousnopeudella.

Oletuslämpötila	–
Oletusaika	0:12
Oletuslinkousnopeus	1000 rpm
Enimmäistäyttö, pesu	8,0 kg
Esipesun pesuaine	–
Pääpesun pesuaine	–
Huuhteluaine	–
Valinnat	<ul style="list-style-type: none"> • Viive

Tekokuitu

Tekokuitujen, kuten paitojen, takkien ja sekoitekankaiden pesemiseen. Neulevaatteita pestäessä pesuaineen määrää tulee vähentää liiallisen vaahdotamisen välttämiseksi.

Oletuslämpötila	40 °C
Oletusaika	3:18
Oletuslinkousnopeus	1200 rpm
Enimmäistäyttö, pesu	4,0 kg
Esipesun pesuaine	Valinnainen
Pääpesun pesuaine	Olennainen
Huuhteluaine	Valinnainen
Valinnat	<ul style="list-style-type: none"> • Viive • Lisähuuhtelu • Esipesu • Likataso

Lyhyt 15 min

Erityisen lyhyt ohjelma. Sopii pienille määrille vähän likaantunutta pyykkiä.

Oletuslämpötila	Kylmä vesi
Oletusaika	0:15
Oletuslinkousnopeus	800 rpm
Enimmäistäyttö, pesu	2,0 kg
Esipesun pesuaine	–
Pääpesun pesuaine	Olennainen

Huuhteluaine	Valinnainen
Valinnat	<ul style="list-style-type: none"> • Viive

Huuhtelu

Lisähuuhtelu ja linkous.

Oletuslämpötila	–
Oletusaika	0:20
Oletuslinkousnopeus	1000 rpm
Enimmäistäyttö, pesu	8,0 kg
Esipesun pesuaine	–
Pääpesun pesuaine	–
Huuhteluaine	Valinnainen
Valinnat	<ul style="list-style-type: none"> • Viive • Lisähuuhtelu

Villa

Käsin- tai konepestävä villa tai paljon villaa sisältävät tekstiilit. Hellävarainen pesuohjelma, joka on suunniteltu estämään kutistuminen. Sisältää pidempiä jaksoja ilman rummun pyörimistä.

Oletuslämpötila	40 °C
Oletusaika	1:07
Oletuslinkousnopeus	600 rpm
Enimmäistäyttö, pesu	2,0 kg
Esipesun pesuaine	–
Pääpesun pesuaine	Olennainen
Huuhteluaine	Valinnainen
Valinnat	<ul style="list-style-type: none"> • Viive • Lisähuuhtelu

PUHDISTUS

Tuotteen asianmukainen huolto voi pidentää sen käyttöikää.

Käytä tarvittaessa pesukoneille tarkoitettua kalkkijäämien poistoainetta. Noudata poistoaineen mukana toimitettuja ohjeita.

**VAROITUS!**

Irrota koneen virtapistoke ja sulje hana ennen huollon aloittamista.

**OLE VAROVAINEN!**

Älä käytä tuotteen puhdistamiseen alkoholia, liuottimia tai kemikaaleja.

Puhdista ulkopinta

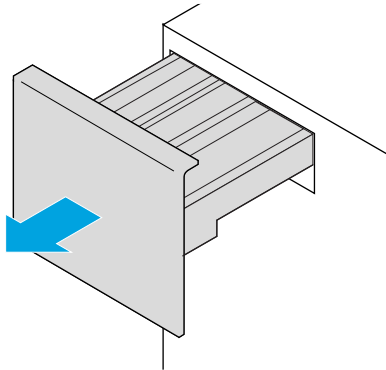
- Tarvittaessa puhdista pinta laimennetuilla hiomattomilla neutraaleilla pesuaineilla.
- Jos vettä virtaa yli, pyyhi se heti pois liinalla.

**OLE VAROVAINEN!**

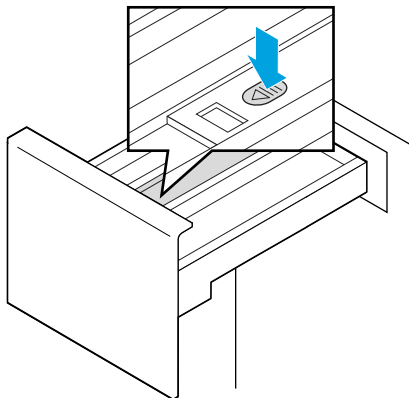
- Älä käytä teräviä puhdistustyökaluja.
- Älä käytä muurahaishappoa tai liuottimia, kuten alkoholia ja kemikaaleja tms.

Puhdista pesuaineen annostelija

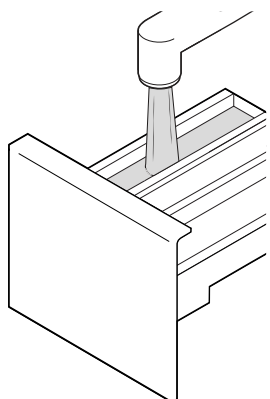
1. Avaa annostelija.



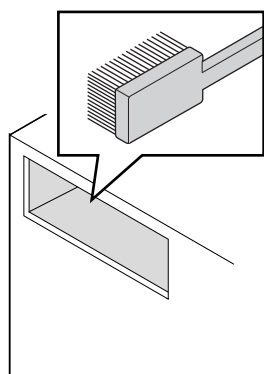
2. Paina painike alas ja vedä annostelija ulos.



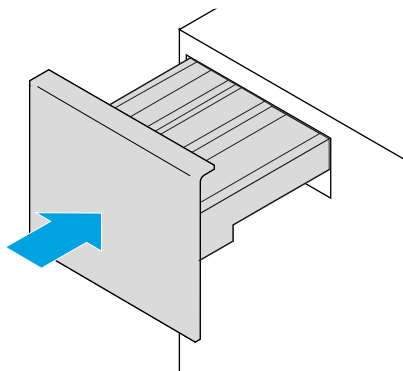
3. Puhdista annostelija vedellä.



4. Puhdista syvennyksen sisäpuoli vanhalla hammasharjalla.



5. Laita annostelija paikalleen.



Puhdista rumpu

- Poista heti kaikki ruoste, jota metalliosat jättävät rumpun sisään.

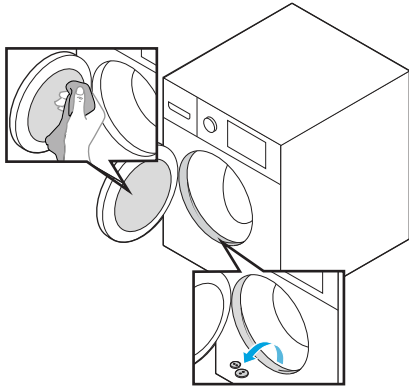


OLE VAROVAINEN!

- Käytä klooritonta pesuainetta.
 - Älä käytä teräsvillaa.
- Tarvittaessa suorita rumpun puhdistukseen tarkoitettu ohjelma. Katso kappale "Drum clean/Trommelreinigung/Trumrengöring/Trommelrengjøring/Tromlerengöring/Rummun puhdistus/Prif tromlu", sivu 248.

Puhdista luukun tiiviste ja lasi

Tee tämä joka pesun jälkeen.



- Pyyhi lasi ja tiiviste nukan ja tahrojen poistamiseksi.



HUOMAA!

Jos nukkaa kertyy, seurauksena voi olla vuotoja.

- Ota mahdolliset kolikot, napit tai muut esineet pois tiivisteestä.



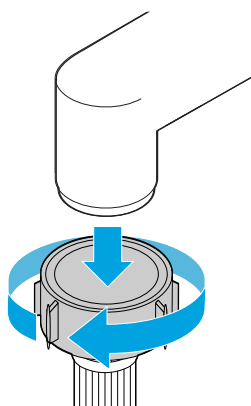
OLE VAROVAINEN!

- Käytä klooritonta pesuainetta.
- Älä käytä teräsvillaa.

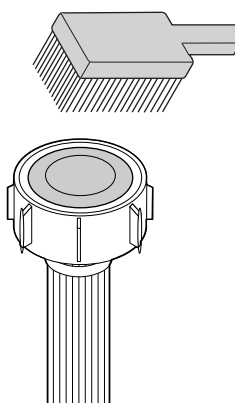
Puhdista hanan tulosuodatin

Puhdista hanan tulosuodatin 3 kuukauden välein. Hanan tulosuodattimet on puhdistettava, jos veden syöttö heikkenee.

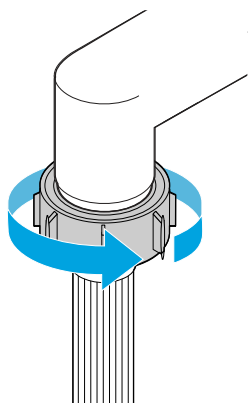
1. Sulje hana ja irrota vedenottoletku hanasta.



2. Puhdista suodatin.



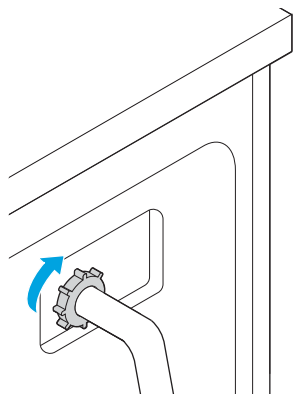
3. Kiinnitä vedenottoletku takaisin hanaan ja avaa hana.



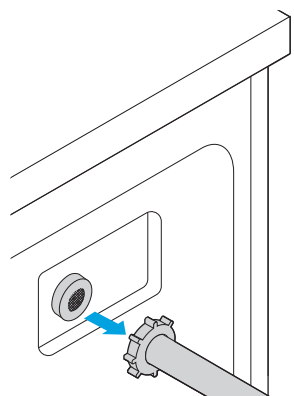
Puhdista koneen tulosuodatin

Puhdista koneen tulosuodatin 3 kuukauden välein. Koneen tulosuodatin on puhdistettava, jos veden syöttö heikkenee.

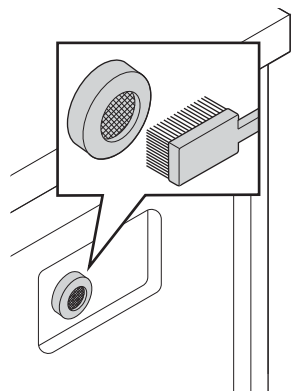
1. Sulje hana ja avaa ottoputki koneen takaa.



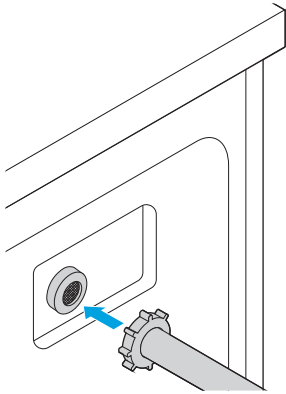
2. Irrota ottoputki.



3. Puhdista suodatin harjalla.



4. Kiinnitä ottoputki takaisin ja avaa hana.



Suodattimen voi irrottaa ja pestä erikseen.

Puhdista poistopumpun suodatin

Poistopumpun suodatin on suunniteltu sieppaamaan kuidut ja pienet vierasesineet. Puhdista suodatin säännöllisesti koneen normaalin toiminnan varmistamiseksi.



VAROITUS!

Irrota koneen pistoke ennen suodattimen puhdistamista sähköiskun välttämiseksi.



VAROITUS!

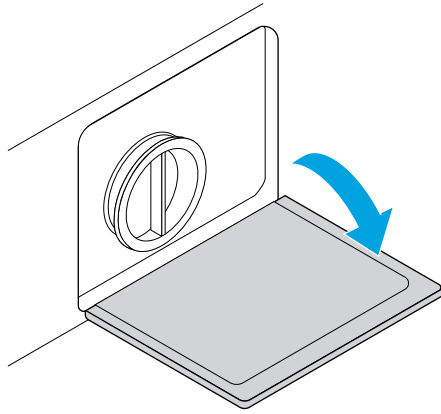
- Ole varovainen. Vesi voi olla kuumaa!
- Anna pesuaineliuoksen jäähtyä ennen suodattimen puhdistamista.



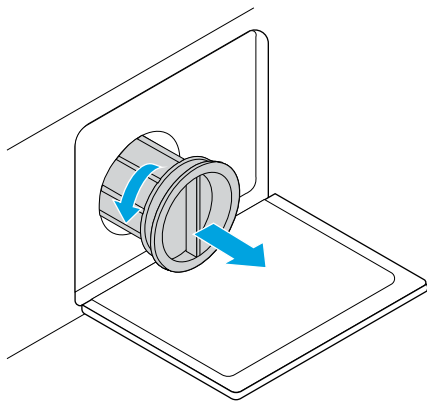
OLE VAROVAINEN!

Älä koskaan irrota pumpun kantta pesusyklin aikana. Odota aina, että kone on päässyt syklin loppuun ja on tyhjä.

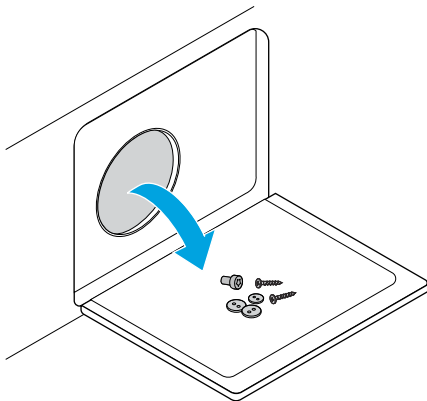
1. Avaa suodattimen kansi.



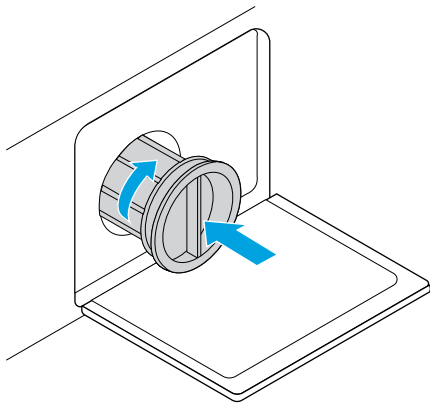
2. Käännä suodatinta vastapäivään ja vedä se ulos.



3. Poista mahdolliset vierasesineet.



4. Laita suodatin takaisin paikalleen ja sulje kansi.



OLE VAROVAINEN!

Tarkista, että venttiilin suojus on asennettu takaisin oikein; kiinnikkeiden tulee olla oikein linjassa, tai vettä voi vuotaa.

VIANMÄÄRITYS

Kone ei käynnisty

Ongelmalla voi olla eri syitä. Ratkaise ohjelma noudattamalla ehdotetun syyn kohdalla olevia ohjeita.

Luukku ei ole kunnolla kiinni

1. Tarkista, onko pyykkiä juuttunut.
2. Sulje luukku ja yritä käynnistää uudelleen.

Konetta ei ole kytketty virtalähteeseen

Liitä virtajohto pistorasiaan.

Ohjelmaa ei ole valittu

Valitse ohjelma.

Unohdit painaa Käynnistä/keskeytä-painiketta.



Paina painiketta.

Virtaa ei ole kytketty koneeseen

Kytke kone päälle.

Näyttö ei kytkeydy päälle

Ongelmalla voi olla eri syitä. Ratkaise ohjelma noudattamalla ehdotetun syyn kohdalla olevia ohjeita.

Virtalähde ei toimi

1. Tarkista, toimiiko virtalähde.
2. Jos ei toimi, ota yhteyttä valtuutettuun sähköasentajaan.

Virtapistoketta ei ole kytketty

Kytke virtapistoke pistorasiaan.

Ohjelmaa ei ole valittu

Valitse ohjelma.

Virtaa ei ole kytketty koneeseen

Paina Virtakatkaisin-painiketta.



Luukkua ei voi avata

Koneen turvalukitus on aktiivinen

Katkaise virta ja käynnistä kone uudelleen.

Vettä vuotaa

Koneen ja ottoputken tai poistoletkun välinen liitäntä ei ole tiukka

- Tarkista ja kiristä liitokset.
- Puhdista poistoletku.

Pesuainejäätymää annostelijassa

Pesuaine on kosteaa tai paakkuuntunutta

Puhdista ja pyyhi pesuaineen annostelija. Katso kappale "Puhdista pesuaineen annostelija", [sivu 252](#).

Ilmaisain tai näyttö ei kytkeydy päälle

Sähköliitäntäongelma

Tarkista, että virta on kytketty ja virtapistoke on laitettu oikein pistorasiaan.

Poikkeava ääni

Ongelmalla voi olla eri syitä. Ratkaise ohjelma noudattamalla ehdotetun syyn kohdalla olevia ohjeita.

Kuljetuspultteja ei ole irrotettu

Irrota kuljetuspultit. Katso kappale "Irrota kuljetuspultit", [sivu 266](#).

Kone ei ole suorassa

Aseta kone vaakasuoraan. Katso kappale "Aseta kone vaakasuoraan", [sivu 268](#).

E10-virhekoodi näkyy

Veden ruiskutuksen ongelma pesun aikana

- Tarkista, onko vedenpaine liian pieni.
- Suorista vesiputki.
- Tarkista, onko tuloventtiilin suodatin tukossa.

E12-virhekoodi näkyy

Veden ylivuoto

Käynnistä kone uudelleen.

E21-virhekoodi näkyy

Vedenpoisto kestää liian kauan

Tarkista, onko poistoletku tukossa.

E30-virhekoodi näkyy

Luukku ei sulkeudu kunnolla

1. Tarkista, onko vaatteita juuttunut.
2. Sulje luukku ja yritä käynnistää uudelleen.

EXX-virhekoodi näkyy

Muu ongelma

Yritä uudelleen ja ota sitten yhteyttä tukeen, jos ongelma jatkuu. Ota yhteyttä **Elviran tukeen**, jos tarvitset apua laitteesi kanssa.

ASENTAMINEN

Asenna kone tämän osion ohjeiden mukaisesti.



VAROITUS!

- Vahingoittuneen virtajohdon saa turvallisuussyistä vaihtaa vain valmistaja tai valmistajan valtuuttama huoltoliike tai vastaava pätevä asiantuntija.
- Käytä koneen mukana toimitettuja uusia letkusarjoja. Älä käytä vanhoja letkusarjoja uudelleen.
- Turvallisuutesi varmistamiseksi kytke pistoke maadoitettuun pistorasiaan. Tarkista huolellisesti, että pistorasia on asianmukaisesti ja luotettavasti maadoitettu.
- Varmista, että asianmukaisen pätevyyden omaava henkilö on kytkenyt koneen vesi- ja sähköverkkoon valmistajan ohjeiden ja paikallisten turvallisuusmääräysten mukaisesti.



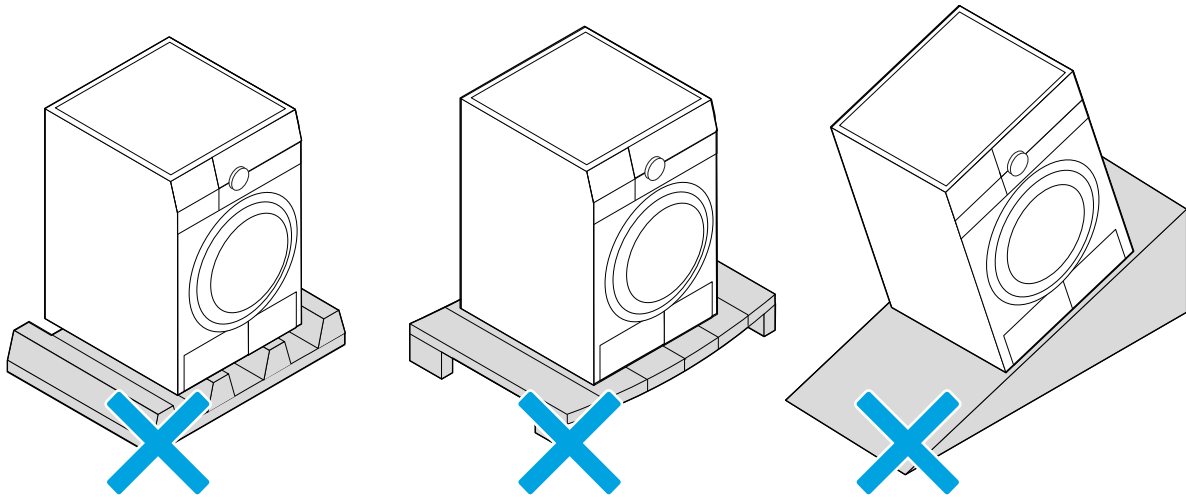
OLE VAROVAINEN!

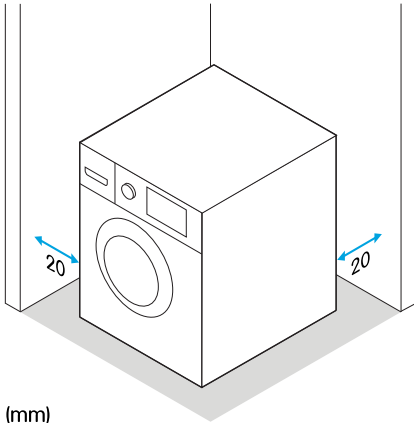
Tuloletku on kytkettävä kylmän veden vesijohtoverkkoon.

Asennuspaikka

Pidä seuraavat asiat mielessä, kun valitset koneelle asennuspaikkaa.

- Vältä suoraa auringonvaloa.
- Riittävä ilmanvaihto.
- Huoneenlämpötila yli 0 °C.
- Pidä kaukana lämmönlähteistä, kuten hiilellä tai kaasulla toimivista kodinkoneista.
- Pinnan tulee olla kestävä, kuiva ja tasainen. Vakaus on tärkeää, ettei kone pääse liikkumaan.





(mm)

**VAROITUS!**

- Tarkista, ettei kone ole virtajohdon päällä.
- Pistokkeen pitää olla käytettävissä asennuksen jälkeen.

**VAROITUS!**

Konetta ei saa käyttää erittäin märissä tiloissa tai tiloissa, joissa on räjähtävien tai syövyttävien kaasujen vaara.

**OLE VAROVAINEN!**

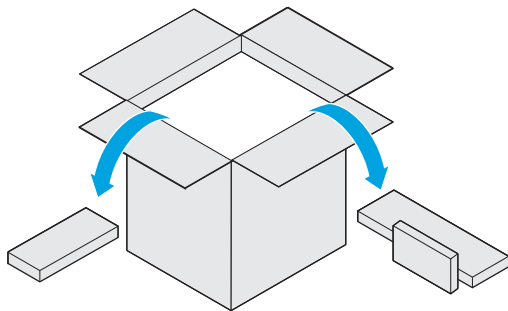
- Kone on tarkoitettu vain sisäkäyttöön.
- Konetta ei ole tarkoitettavaksi integroitavaksi kaappiin.
- Aukkoja ei saa tukkia matolla.

Pura kone pakkauksesta

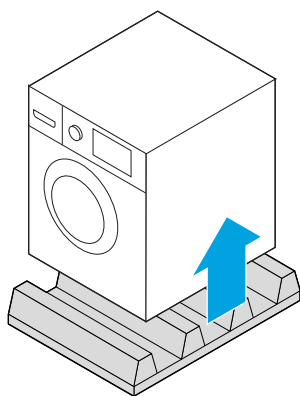
**VAROITUS!**

Ota kaikki pakkausmateriaalit ja kuljetuspultit pois ennen koneen käyttöä. Muuten seurauksena voi olla vakava vahinko.

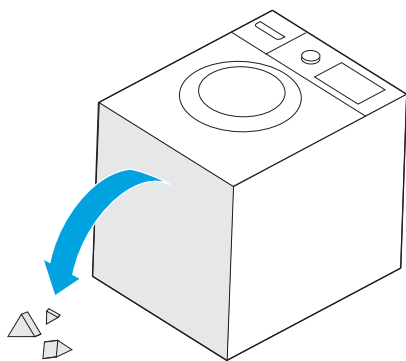
1. Poista pahvilaatikko ja vaahtomuovit.



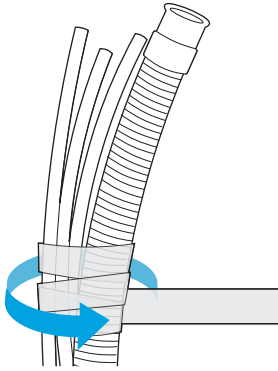
2. Nosta tuote ja irrota pohjapakkausmateriaalit.



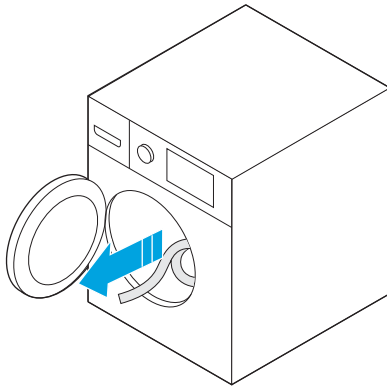
3. Aseta tuote alas kyljelleen ja irrota pienet kolmionmuotoiset vaahtomuovipalat pohjasta.



4. Ota virtajohto ja poistoletkua pitävä teippi pois.



5. Ota lisävarusteet pois rummusta.



VAROITUS!

Pidä kaikki pakkausmateriaalit poissa lasten ulottuvilta. Tukehtumisvaara!

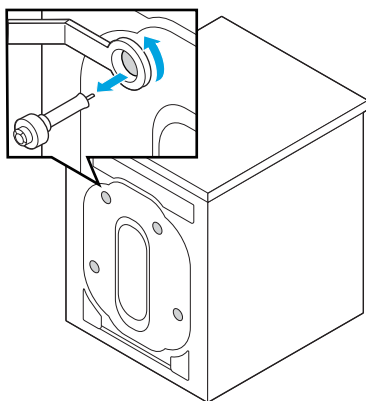
Irrota kuljetuspultit



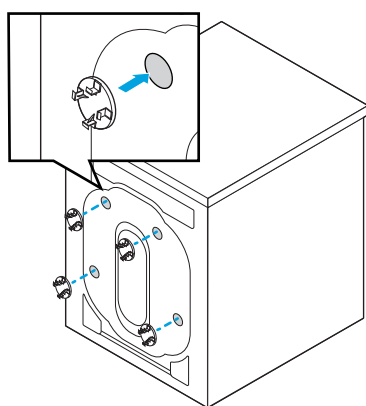
VAROITUS!

Kuljetuspultit on irrotettava takaa ennen koneen käyttämistä.

1. Löysää pultteja kiintoavaimella ja irrota ne.

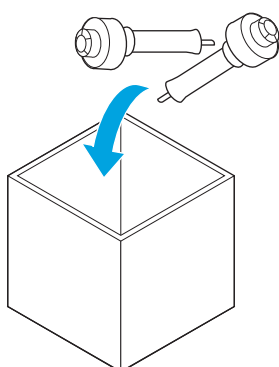


2. Sulje reiät kuljetusreiän tulpilla.



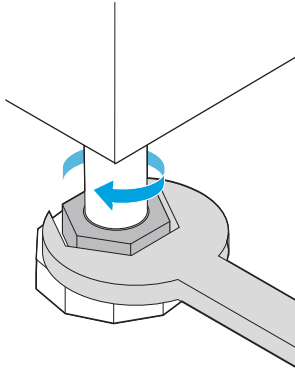
3. Säilytä pultit turvallisessa paikassa.

HUOMAA! Tarvitset kuljetuspultteja uudelleen, jos siirrät konetta.

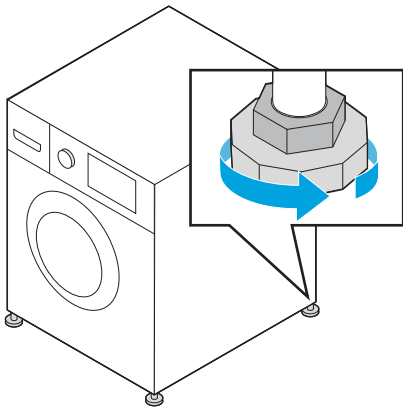


Aseta kone vaakasuoraan

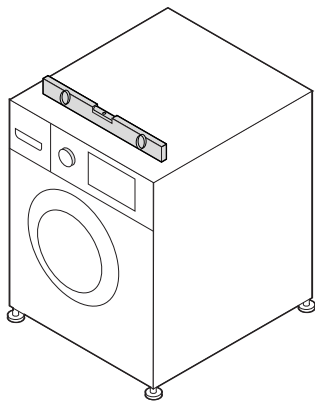
1. Löysää jalkojen mutterit ja ruuvi kokonaan. Tarkista, onko jokin jaloista irti lattiasta.



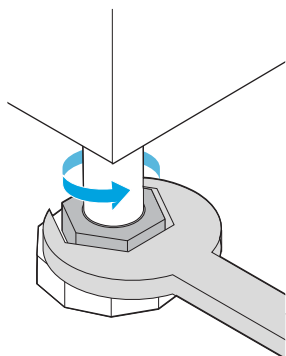
2. Jos jokin jaloista ei ole kiinni lattiassa: ruuvaa jalkaa ulos, kunnes se on kosketuksissa lattiaan.



3. Tarkista vesivaa'an avulla, että pesukone on täysin suorassa ja säädä jalat uudelleen tarvittaessa.

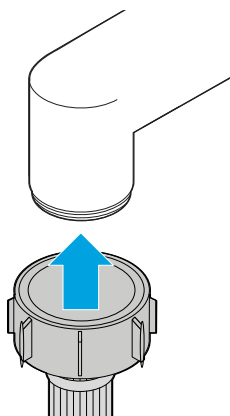


4. Kiristä mutterit kiintoavaimella ja tarkista, että kone on vakaa.
VAROITUS! Kaikkien neljän jalan lukitusmutterit on kiristettävä tiukasti koteloa vasten.

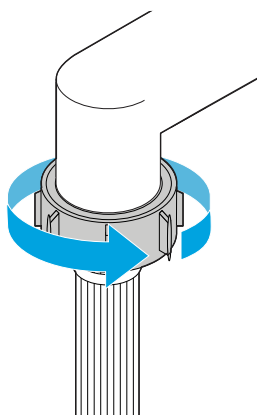


Kytke vedenottoletku hanaan

1. Nosta letku hanaan.

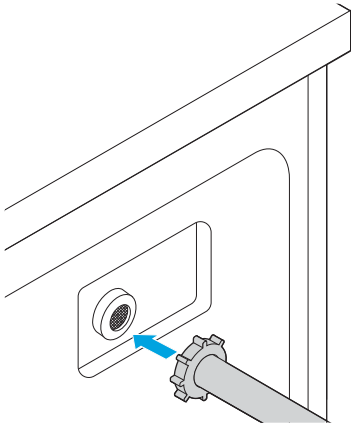


2. Ruuvaa liitin hanaan kierteisiin.

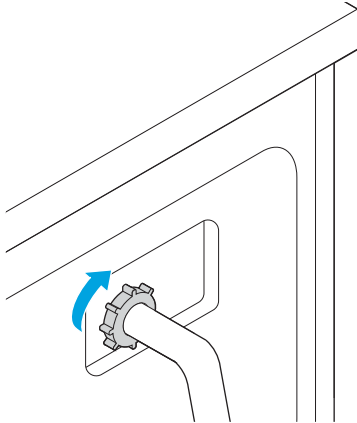


Kytke vedenottoletku koneeseen

1. Nosta vedenottoletku koneen takana olevaan tuloventtiin.



2. Ruuvaa liitin tiukasti kiinni hanan kierteisiin.



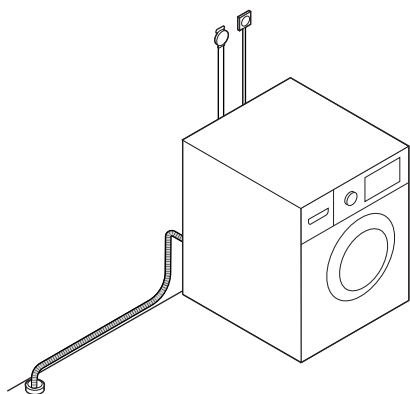
Kytke ulkoiseen viemäriin



OLE VAROVAINEN!

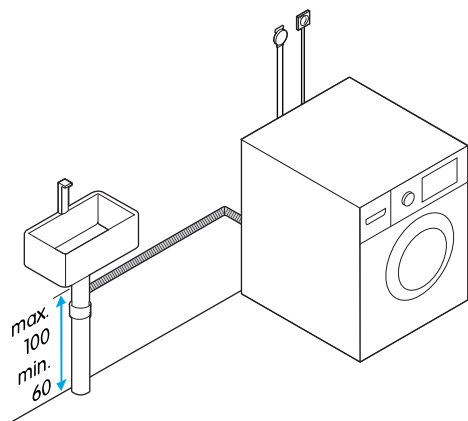
- Älä taivuta tai venytä poistoletkua.
- Vedä poistoletku asianmukaisesti, sillä se voi aiheuttaa vesivuodon vaurioituneena.
- Älä upota poistoletkun päätä jäteveeseen. Letkun upottaminen voi haitata vedenpoistoa ja saada jäteveden virtaamaan takaisin koneen sisään.

Aseta poistoletku lattiakaivoon



Kytke poistoletku lavuaarin viemäriputkeen.

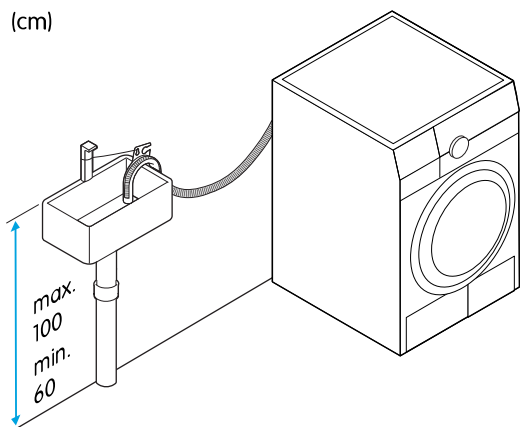
(cm)



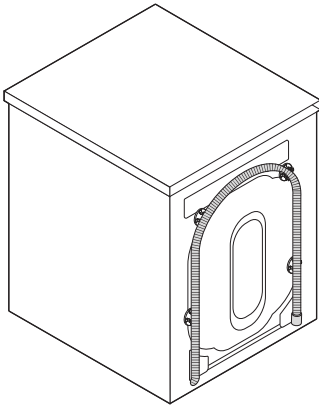
Aseta poistoletku lavuaariin

Pidä poistoletku taivutettuna alas lavuaariin ilman taitteita poistoletkun pitimen avulla.

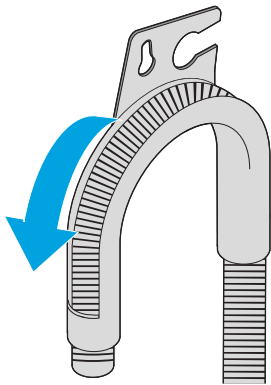
(cm)



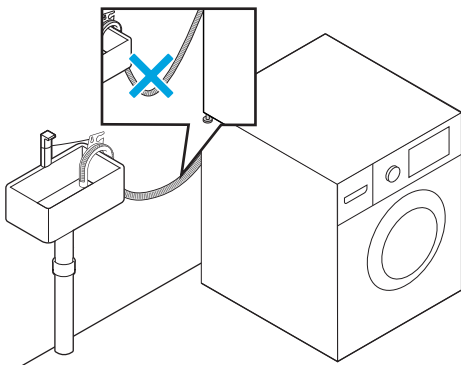
1. Irrota poistoletku varovasti pitimistä.



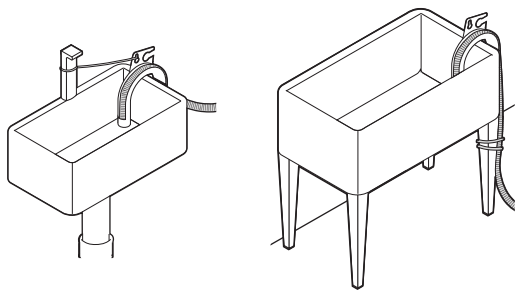
2. Laita poistoletku letkun pitimeen.



3. Ripusta letkun pidin lavuaarin reunan yli.



4. Kiinnitä poistoletku lavuaariin narulla, pitimellä tai nippusiteellä.



LIITE

Tekniset tiedot


HUOMAA!

Nimelliskapasiteetin arvo viittaa pyykin painoon kuivana.

Mallikoodi	Katso kappale "Etsi mallikoodi", sivu 240
Leveys	595 mm
Syvyys	565 mm
Korkeus	850 mm
Paino	68 kg
Nimelliskapasiteetti	8 kg
Enimmäislinkousnopeus	1400 rpm
Virtalähde	220-240 V, 50 Hz
Enimmäisvirta	10 A
Nimellisteho	2000 W
Vakiovedenpaine	0,05 MPa ~ 1 MPa

Energiatohokkuus

Tietoa tämän tuotteen energiatohokkuudesta löytyy eurooppalaisesta energiamerkitöjen EPREL-rekisteristä. Mene EPREL-sivustolle ja etsi tiedot mallin tunnisteen avulla. Mallin tunniste löytyy tuotteen mukana tulevasta energiamerkistä.

EPREL-sivusto: <https://eprel.ec.europa.eu/>



Kulutuservot

Todelliset pesusyklin arvot voivat poiketa tässä esitetystä arvoista. Arvot, jotka on annettu muille ohjelmille kuin ECO 40-60-ohjelmalle, ovat vain viitteellisiä.

Ohjelma	Pyykkimäärä, jolla arvot on saatu (tietyn ohjelman nimelliskapasiteetti, ellei muuta ole ilmoitettu) (kg)	Ohjelman kesto (tunnit:minuutit)	Energiankulutus (kWh sykliä kohti)	Vedenkulutus (litraa sykliä kohti)	Korkein lämpötila väh. 5 minuutin ajan pyykin sisällä pesusyklin aikana (°C)	Jäljellä oleva kosteusprosentti ja linkousnopeus (kierrosta minuutissa), jolla arvo on saavutettu
20 °C	4,0	1:01	0,183	44	20	65 % / 1000
Puuvilla (60 °C)	8,0	3:39	1,120	71	40	53 % / 1400
ECO 40-60	8,0 (Nimelliskapasiteetti)	3:38	0,857	59	34	53 % / 1400
	4,0 (Puolet nimelliskapasiteetista)	2:48	0,504	46	29	53 % / 1400
	2,0 (Neljännes nimelliskapasiteetista)	2:48	0,240	37	21	53 % / 1400
Tehopesu	8,0	3:48	1,136	71	40	70 % / 800
Sekoitekankaat	8,0	1:20	0,754	71	40	65 % / 1000
Lyhyt 15 min	2,0	0:15	0,030	40	15	75 % / 800

EU-direktiivit ja -standardit

Tämä tuote täyttää soveltuvat EU-direktiivit ja -määräykset, ja se on CE-merkitty. Jos EU-vaatimustenmukaisuusvakuutusta ei ole toimitettu laitteen mukana, se on saatavilla pyynnöstä.

- Tämän tuotteen toiminta on testattu pesukoneita koskevan standardin EN 60456 mukaisesti.
- EU-asetus 2019/2023, energiatestiohjelma: ECO 40-60; muut asetukset: oletus.

Efnisyfirlit

ÖRYGGI	280
Viðvaranir	280
Ætluð notkun	280
Öryggi fyrir börn og fólk með fötlun	280
Almennt öryggi.....	281
Öryggi við uppsetningu.....	281
Öryggi við notkun.....	282
Öryggi við viðhald	283
Förgun	283
FLÝTIBYRJUN	284
Stutt yfirlit	284
HEFJAST HANDA	285
Lærðu á þvottavélina þína	285
Stýringar	285
Tákn á skjánum	285
Þvottaefnisskammtari.....	285
Aukahlutir.....	286
Notið barnalæsinguna.....	286
Finndu gerðarkóðann	286
Fyrir fyrstu notkun.....	287
Kvörðun vélarinnar	287
Keyrðu tóma þvottalotu	287
ÞVOTTUR	288
Fyrir hvern þvott	288
Ræstu þvottinn	289
Valkostir, stillingar og aðgerðir.....	290
Valkostir, stillingar og aðgerðir	290
Breyttu óhreinindastiginu	291
Breyta snúningshraða þeytivindu.....	291
Breyta hitastiginu.....	291
Notaðu seinkunarvalkostinn	291
Notaðu valkostinn fyrir auka skol	291
Notaðu valkostinn fyrir forþvott.....	291
Notaðu SpaCare valkostinn	292
Notaðu valkostinn fyrir hraðþvott	292
Notaðu aðgerðina „Mitt þvottakerfi“	292
Endurhlaða - taui bætt við meðan þvottur er í gangi.....	292
Slökkt/kveikt á hljóðmerki	292
Þvottakerfi	293
20 °C	293
Barnaföt	293

Rúmföt	293
Baðmull	294
Þrif tromlu	294
ECO 40-60	294
Öflugt	295
Blandað efni	295
Mitt þvottakerfi	296
Vinding	296
Gerviefni	296
Stutt 15 mín	296
Skolkerfi	297
Ull	297
HREINSUN	298
Hreinsaðu ytra byrði.....	298
Hreinsaðu þvottaefnisskammtarann	298
Hreinsaðu tromluna	299
Hreinsaðu þéttingar og gler hurðarinnar	300
Hreinsaðu kranainntakssiúna	300
Hreinsaðu inntakssiú vélar.....	301
Hreinsaðu frárennslisdælusiúna	303
BILANAGREINING	306
Vélin ræsist ekki	306
Ekki kviknar á skjánum.....	306
Ekki er hægt að opna hurðina	307
Vatn lekur	307
Þvottaefnisleifar í skammtaranum.....	307
Ekki kviknar á gaumljósi eða skjá	307
Óeðlilegur hávaði.....	307
E10 villukóðinn er sýndur.....	307
E12 villukóðinn er sýndur.....	307
E21 villukóðinn er sýndur.....	308
E30 villukóðinn er sýndur	308
EXX villukóðinn er sýndur.....	308
UPPSETNING	309
Uppsetningarsvæði.....	309
Taktu vélna úr umbúðunum	310
Fjarlægðu flutningsboltana	312
Hallastilltu vélna	314
Tengdu vatnsslönguna við krana	315
Tengdu vatnsslönguna við vélna.....	316
Tengdu við ytra frárennsli.....	316
Settu frárennslisslönguna í gólfræsi.....	317
Tengdu frárennslisslönguna við vask eða frárennslisrör.....	317

Settu frárennisslönguna í vask.....	317
VIÐAUKI	320
Tæknilýsing.....	320
Notkunargildi.....	320
ESB tilskipanir og staðlar.....	321

ÖRYGGI

Lesið þessar leiðbeiningar vandlega áður tækið er sett upp og notað. Geymið leiðbeiningarnar nálægt tækinu til síðari nota. Margskonar ábyrgðir munu falla úr gildi ef þessum leiðbeiningum er ekki fylgt.

Viðvaranir



VIÐVÖRUN!

Notaðar þegar hættu er á líkamstjóni.



VARÚÐ!

Notaðar þegar hættu er á því að varan verði fyrir tjóni.



ATHUGAÐU!

Almennar upplýsingar sem þú ættir að vita um.



Hjálpleg ráð sem þér kunna að þykja gagnleg.

Ætluð notkun

Tækið er einungis ætlað fyrir:

- Notkun innandyra á heimili eða heimilisumhverfi eins og:
 - eldhúsum starfsfólks í verslunum, á skrifstofum og öðrum starfsumhverfum;
 - fjölskylduhúsnæði;
 - af viðskiptavinum á hótelum, mótelum og öðrum íbúðaumhverfum;
 - gistiheimilisumhverfum.
- Þvottur á fötum og textílefnum sem þola þvott í vél með þvottaefnislausn.
- Þvottur með notkun lágfreyðandi þvottaefna og umhirðuvara sem fást í verslunum og eru viðeigandi fyrir notkun í þvottavél eða þvottavél og þurrkara sem sett er í að framan.

Tækið er ekki ætlað til að vera innbyggt í skáp.

Öryggi fyrir börn og fólk með fötlun



VIÐVÖRUN!

Látið eftirfarandi hópa aðeins nota tækið undir umsjón eða ef þeim hafa verið veittar leiðbeiningar um örugga notkun þess. Þau verða að skilja hættunna sem eru til staðar.

- Börn. (Börn yngri en 8 átta ára verða að vera undir stöðugu eftirliti.)
- Fólk með minnkaða líkamlega, skynjunarlega eða andlega getu.
- Fólk sem skortir reynslu og þekkingu.



VIÐVÖRUN!

- Leyfið börnum ekki að leika sér með tækið.
- Leyfið börnum ekki að þrifa tækið án eftirlits.



VIÐVÖRUN!

Hættu er á að dýr eða börn klifri inn í tækið. Skoðið innan í tækið fyrir hverja notkun.



VIÐVÖRUN!

Glerhurðin gæti orðið mjög heit við notkun. Haldið börnum og gæludýrum fjarri tækinu meðan það er í notkun.

Almennt öryggi



VIÐVÖRUN!

- Þvoið ekki né þurrkið hluti sem hafa verið hreinsaðir með, þvegnir í, gegnbleyttir eða borið lauslega á með eldfimum eða sprengifimum efnum, eins og bóni, olíu, málningu, bensíni, fituleysum, leysiefnum fyrir þurrhreinsun, steinolíu o.s.frv. Það gæti leitt til eldsvoða eða sprengingar.
- Skolið allt slíkt tau vandlega í höndum áður en það eru þvegið.



VIÐVÖRUN!

Hætta á rafstuði!

- Ef rafmagnssnúran er skemmd verður henni að vera skipt út af framleiðandanum, þjónustuaðila hans eða sambærilega hæfum einstaklingum til að forðast hættu.
- Ef vélin er skemmd má ekki nota hana nema gert sé við hana af framleiðandanum, þjónustuaðila hans eða sambærilega hæfum aðilum.
- Áður en hreinsun eða viðhald af öllu tagi er framkvæmt á tækinu skal taka það úr sambandi frá rafmagni.
- Notið ekki innstungu ef uppgefinn straumstyrkur hennar er lægri en tækisins.
- Togið aldrei rafmagnssnúruna úr innstungunni með blautum höndum.



VARÚÐ!

- Klifrið ekki upp á né sitjið ofan á tækinu.
- Styðjið ykkur ekki við hurð tækisins.
- Lokið hurðinni ekki með óhöflega miklu afli. Ef erfitt reynist að loka hurðinni skal athuga hvort eitthvert tau sé fyrir.
- Þvoið ekki mottur í tækinu.



VARÚÐ!

Þegar tækið er fært:

- Hæfur aðili verður að sjá um að setja flutningsboltana aftur í.
- Tæma verður allt vatn úr vélinni.
- Meðhöndlið tækið með gát. Haldið aldrei í útstæða hluta vélarinnar þegar verið er að lyfta.
- Notið ekki hurð tækisins til að lyfta því við flutning.
- Þetta tæki er þungt. Flytjið með gát.

Öryggi við uppsetningu



VIÐVÖRUN!

Athugið hvort einhverjar skemmdir séu sjáanlegar á tækinu áður en það er sett upp. Setjið ekki upp né notið skemmt tæki.



VIÐVÖRUN!

Setjið vélinu ekki upp

- Í baðherbergjum í kringumstæðum þar sem hættu er á beinni snertingu við vatn, til dæmis, vatnsbunu úr sturtu, vatni úr baðkari, eða í herbergi þar sem er mikil bleyta eða hátt rakastig;
- í herbergi með sprengifimum eða ætandi lofttegundum; eða
- fyrir aftan læsanlega hurð, rennihurð eða hurð á hjörum gagnstætt tækinu.



VIÐVÖRUN!

Loftræsting þarf að vera nægileg til að hindra bakflæði lofttegunda inn í herbergið frá tækjum sem brenna önnur eldsneyti, þ.m.t. opnum eldum.

**VIÐVÖRUN!**

- Fjarlægjið allt umbúðafni og flutningsbolta áður en tækið er notað. Annars gætu orðið alvarlegar skemmdir á því.
- Haldið öllu umbúðafni vel fjarri börnum. Það er hættu á köfnun!

**VIÐVÖRUN!**

- Tryggið að tækið sé tengt við vatn og rafveitu af aðila með viðeigandi hæfni samkvæmt leiðbeiningum framleiðanda og öryggisreglum sem gilda á staðnum.
- Ef rafmagnssnúran er skemmd verður henni að vera skipt út af framleiðandanum, þjónustuaðila hans eða sambærilega hæfum einstaklingum til að forðast hættu.
- Verið viss um að rafmagnstengillinn sé tengdur við jarðtengda þriggja skauta innstungu. Athugaðu vandlega að innstungan þín sé jarðtengd á réttan og áreiðanlegan hátt.
- Gangið úr skugga um að rafmagnstengill vélarinnar sé aðgengilegur eftir uppsetningu og að vélin standi ekki ofan á rafmagnssnúrunni.
- Þegar vélin er hallastillt verða lásrænar á öllum fjórum fótum að vera þétt skrúfaðar að hýsingunni.
- Ef það á við skal tryggja að loftopin á grunni tækisins séu ekki hindruð af, til dæmis, teppi.
- Notið nýju slöngusetið sem fylgja tækinu. Endurnotið ekki gömul sett.

**VARÚÐ!**

- Innrennisslangan verður að vera tengd við kaldvatnsinntakið.
- Ekki brjóta, kremja, breyta eða skemma vatnsinntaksslönguna.
- Brjótið ekki né teygjið frárennisslönguna.
- Staðsetjið frárennisslönguna rétt því það getur leitt til vatnsleka ef hún er skemmd.
- Ef frárennisslangan er of löng skal ekki þvinga hana inn í vélina þar sem það mun valda óvenjulegum hljóðum.

**VARÚÐ!**

- Áður en tækið er notað í fyrsta sinn verður að kvarða það.
- Áður en tau er þvegið í fyrsta sinn verður að keyra þvottakerfi þar til því lýkur án nokkurra hluta í tromlunni.

Öryggi við notkun

**VIÐVÖRUN!**

- Eldfim, sprengifim eða eitruð leysiefni eru bönnuð. Ekki má nota bensín og alkóhól sem þvottaefni. Notið aðeins þvottaefni sem hentar fyrir vélarþvott.

**VIÐVÖRUN!**

- Takið tækið alltaf úr sambandi og skrífið fyrir vatnsinntakið eftir notkun.

**VIÐVÖRUN!**

- Farið gætilega til að forðast að brennast þegar heitt vatn er að tæmast úr tækinu.
- Ef tækið er með aðgerð til að gera hlé á þvottakerfi og bæta við fleiri fótum skal ekki nota þessa aðgerð þegar vatnsborðið nær upp fyrir brún tromlunnar að innan eða hitastigið er hátt stillt.
- Þegar tromlan er enn að snúast og það er mikið magn af vatni í henni þá er ekki öruggt að opna hurðina og ekki hægt að opna hana með afli.
- Fyllið aldrei á með vatni handvirkt meðan á þvotti stendur.

**VARÚÐ!**

- Þegar þvottakerfi er lokið:
 - bíðið í tvær mínútur áður en hurðin er opnuð, og
 - athugið hvort að vatnið hafi verið tæmt innan úr tromlunni áður en hurðin er opnuð. Opnið ekki hurðina ef eitthvað vatn er sjáanlegt.

**VARÚÐ!**

- Mýkingarefni, eða svipaðar vörur, ætti að nota samkvæmt því sem tiltekið er í leiðbeiningum þeirra.
- Hvassir og harðir hlutir, eins og mynt, nælur, naglar, skrúfur eða steinar o.s.frv. geta valdið alvarlegum skemmdum á vélinni. Gangið úr skugga um að allir vasar hafi verið tæmdir.

**VARÚÐ!**

- Áður en tækið er notað í fyrsta sinn verður að kvarða það.
- Áður en tau er þvegið í fyrsta sinn verður að keyra þvottakerfi þar til því lýkur án nokkurra hluta í tromlunni.

Öryggi við viðhald

**VIÐVÖRUN!**

- Aðeins viðurkenndir tæknimenn mega framkvæma viðgerðir.
- Ef upp koma vandamál varðandi tækið sem bilanagreiningarupplýsingarnar í heildarhandbókinni geta ekki aðstoðað þig við að leysa, þá skaltu slökkva á tækinu, taka það úr sambandi frá rafmagni, slökkva á vatnsinntakinu og hafa samband við aðstoð og þjónustu okkar.

**VIÐVÖRUN!**

Slökkvið á rafmagni og vatnsinntaki tækisins áður en hvers kyns viðhald er framkvæmt.

**VIÐVÖRUN!**

Við notkun getur verið heitt vatn í frárennisdælunni. Fjarlægjið aldrei dæluhlífina meðan þvottalota stendur yfir, bíðið alltaf þar til tækið hefur lokið lotunni og allt vatn hefur verið tæmt.

**VARÚÐ!**

- Við hreinsun þessa tækis skal ekki nota leysiefni, alkóhól, vörur sem innihalda maurusýru, svarfandi hreinsiefni, glerhreinsa eða alhliða hreinsiefni. Það gæti skemmt plastyfirborð og önnur yfirborð.
- Verið með hanska þegar tækið er þrifið.
- Hætta er á vatnsleka ef dæluhlífin er ekki sett aftur á réttan hátt eftir hreinsun frárennisdælusíunnar.

Förgun



Fargið umbúðum á umhverfisvænan hátt. Með því setja umbúðir í endurvinnslu, samkvæmt reglum lands og staðar er hægt að draga úr notkun hráefna og magni úrgangs í landfyllingum.

Þetta tæki er merkt í samræmi við Evróputilskipun 2012/19/ESB, rafmagns- og rafeindatækjaúrgangur (WEEE). Táknið á tækinu eða á umbúðum þess gefur til kynna að ekki skuli meðhöndla það sem heimilisúrgangur. Í staðinn skal afhenda það til viðeigandi söfnunarstöðvar fyrir endurvinnslu rafmagns- og rafeindatækjaúrgangs.

Með því að tryggja rétta förgun tækisins hjálpar þú við að koma í veg fyrir mögulega neikvæðar afleiðingar fyrir umhverfið og heilsu manna, sem að öðrum kosti gætu orðið vegna óviðeigandi meðhöndlunar úrgangs vegna þessa tækis. Til að fá nánari upplýsingar um endurvinnslu þessa tækis skaltu hafa samband við viðkomandi bæjaryfirvöld sem sjá um sorphirðu, heimilissorpþjónustu eða verslunina þar sem þú keyptir tækið.

FLÝTIBYRJUN

Stutt yfirlit

Fyrir þvott

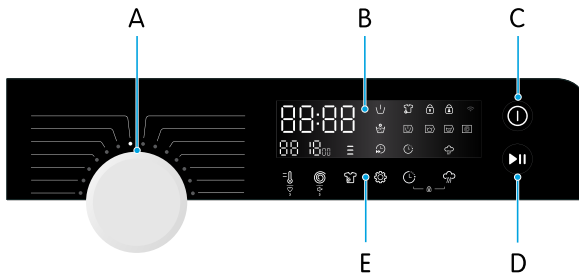
Þvottur

Eftir þvott

HEFJAST HANDA

Lærðu á þvottavélina þína

Stýringar



- A. Kerfisval
- B. Skjár
- C. ON/OFF
- D. Start/Hlé
- E. Valkostir, stillingar og aðgerðir

Tákn á skjánum



Forþvottur



Endurhlaða



Hurðarlæsing



Barnalæsing



Auka skol



Fasi lotu: Forþvottur



Fasi lotu: Þvottur



Fasi lotu: Skola



Fasi lotu: Vinding



Hraðþvottur

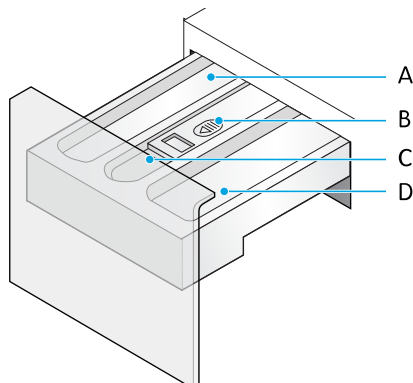


Seinkun



SpaCare

Þvottaefnisskammtari



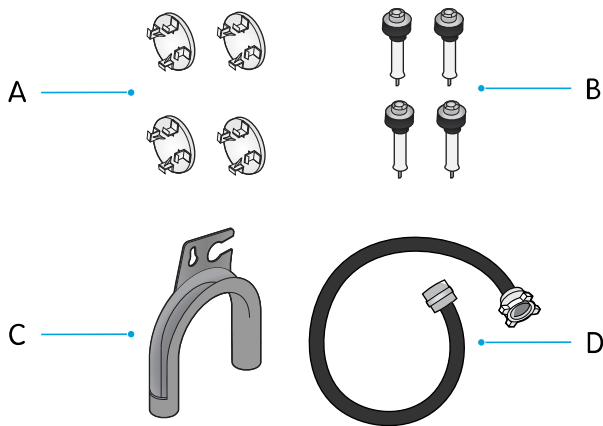
- A. Aðalþvottaefni
- B. Þvottaefnislás (ýttu niður til að fjarlægja skammtara)
- C. Mýkingarefni
- D. Þvottaefni fyrir forþvott



VIÐVÖRUN!

Eldfim og sprengifim eða eitruð leysiefni eru bönnuð. Ekki má nota bensín og alkóhól sem þvottaefni. Notið aðeins þvottaefni sem hentar fyrir vélarþvott.

Aukahlutir



- A. Flutningsbolttagöt
- B. Flutningsboltar
- C. Frárennsslönguhaldari
- D. Vatnsslanga

Flutningsbolttagöt

Til að setja í götin eftir að flutningsboltarnir hafa verið fjarlægðir.

Flutningsboltar

Til að festa vélina við flutning.

Frárennsslönguhaldari

Til að festa slönguna og forðast brot, til dæmis þegar slangan er sett yfir brún vask.

Vatnsslanga

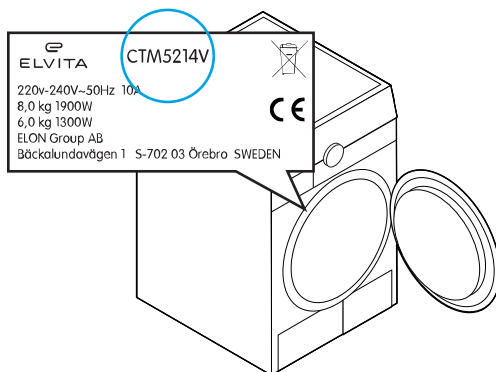
Til að tengja vélina við vatnsinntakið.

Notið barnalæsinguna

Virkjaðu barnalæsinguna til að hindra að börn opni óvart.

1. Snertu og haltu og í 3 sekúndur þar til hljóðmerki heyrir. Allir hnappar nema eru nú læstir.
2. Snertu og haltu og í 3 sekúndur til að gera barnalæsinguna óvirka. **ATHUGAÐU! Þótt slökkt sé og kveikt aftur mun það ekki gera barnalæsinguna óvirka.**

Finndu gerðarkóðann



Gerðarkóðinn er prentaður á merkimiða á tækinu. Þú þarft kóðann til að finna allar og nýlegustu upplýsingarnar, þjónustuna og aðstoðina fyrir þína gerð af tæki.







ATHUGAÐU!

Þetta tæki og textamerking eru dæmi. Tækið þitt og texti gætu haft annað útlit og innihald.

Fyrir fyrstu notkun

Kvörðun vélarinnar

1. Gakktu úr skugga um að vélin sé tóm.
2. Settu rafmagnssnúruna í samband.
3. Ýttu á  til að kveikja á vélinni.
4. Snertu og haltu  og  innan 10 sekúndna frá því að kveikt var á vélinni þar til **t19** er sýnt.
5. Ýttu á .

ATHUGAÐU! Kvörðun er lokið þegar tromlan hættir að snúast og tölustafir sjást.

Keyrðu tóma þvottalotu

Gakktu úr skugga um að vélin sé sett upp og kvörðuð á réttan hátt.

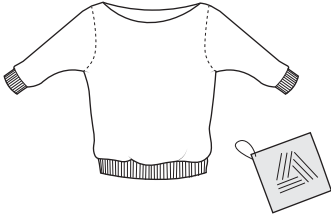
1. Settu rafmagnssnúruna í samband.
2. Skrúfaðu frá vatnskrananum.
3. Ræstu þvottakerfi.
ATHUGAÐU! Settu engin föt í vélina.

Vélin er tilbúin til notkunar þegar kerfið hefur klárað.

ÞVOTTUR

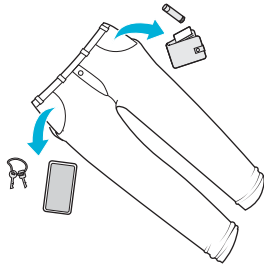
Fyrir hvern þvott

1. Athugaðu þvottamerkingarnar.

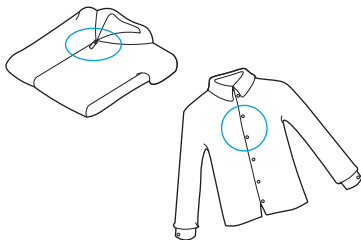


2. Fjarlægðu alla hluti úr vösunum.

VARÚÐ! Hvassir og harðir hlutir, eins og mynt, nælur, naglar, skrúfur eða steinar o.s.frv. geta valdið alvarlegum skemmdum á þvottavélinni.



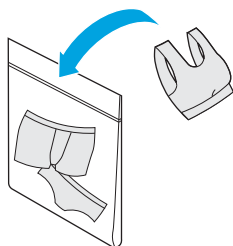
3. Festu öll belti, rennilása eða hnappa.



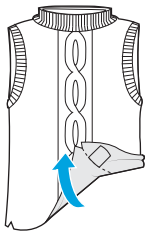
4. Settu litla hluti í þvottapoka.



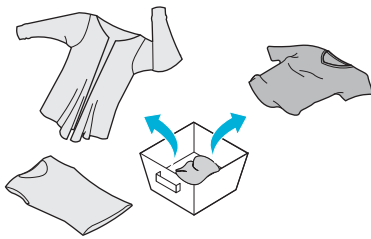
Einnig er hægt að nota koddaver.



5. Snúðu á rönguna loðnum efnum og efnum sem verða auðveldlega hnökrótt



6. Flokkaðu föt eftir gerð efnis.



Ræstu þvottinn



VARÚÐ!

Gakktu úr skugga um að vélin sé rétt upp sett áður en þvegið er.



ATHUGAÐU!

Sparið orku og vatn.

- Það sparar orku og vatn að þvo með fulla hleðslu. Hámarks magn fer eftir kerfinu.
- Almenn nota kerfi sem vinna á lægra hitastig og lengri tíma minni orku.

1. Ýttu á **1** til að kveikja á rafmagninu.

2. Settu föt í.

3. Snúðu kerfisvalinu til að velja kerfi.

4. Veldu stillingar og valkosti eftir þörfum.

5. Settu þvottaefni og mýkingarefni í þvottaefnisskammtarann eftir þörfum.

ATHUGAÐU! Vertu viss um að nota þvottaefni sem er viðeigandi fyrir tauið sem á að þvo og þvottakerfið og hitastigi sem valið er.

6. Ýttu á **II** til að ræsa kerfið.

Þegar þvottinum er lokið heyrir hljóðmerki og **End** er sýnt.



VIÐVÖRUN!

- Fyllið aldrei á með vatni handvirkt meðan á þvotti stendur.
- Þegar kerfið hefur klárast skal bíða í tvær mínútur áður en hurðin er opnuð.
- Athugaðu hvort vatnið hafi verið tæmt innan úr tromlunni áður en hurðin er opnuð. Opnið ekki hurðina ef eitthvað vatn er sjáanlegt.
- Farðu gætilega til að forðast að brennast þegar heitt vatn er að tæmast úr vélinni.

Valkostir, stillingar og aðgerðir

Valkostir, stillingar og aðgerðir

Barnalæsing



Kemur í veg fyrir að vélin sé notuð fyrir slysi. Sjá hluti "Notið barnalæsinguna", [síða 286](#).

Seinkun



Seinkar byrjun þvottakerfisins um ákveðið langan tíma.

Auka skol, forþvottur, hraðþvottur



- Auka skol: Veitir tauinu auka skol.
- Forþvottur: Veitir tauinu auka þvott fyrir aðalþvottinn. Þetta hjálpar við að færa óhreinindi til yfirborðs fatanna.
- Hraðþvottur: Styttir þvottatímann.

Endurhlaða



Taui bætt við meðan þvottur er í gangi.

Óhreinindastig



Stillir óhreinindastig. Þvottatíminn lengist með hærra stigi.

SpaCare



Meðhöndlar tauið með gufu til að bæta árangur við þvott.

Vinduhraði, hljóð af/á







- Snúningshraði þeytivindu: Stillir vinduhraðann.
- Hljóð af/á: Slekkur og kveikir á hljóðmerkinu.

Hitastig, mitt þvottakerfi



- Hitastig: Stillir hitastigið.
- Mitt þvottakerfi: Vistar uppáhalds samsetningu þína af þvottakerfum og valkostum.

Breyttu óhreinindastiginu

1. Snertu  til að fara í gegnum möguleg stig frá litlum óhreinindum til mikilla óhreininda:   



ATHUGAÐU!

Hærra óhreinindastig lengir þvottatíma eins og gefið til kynna á skjánum.

Breyta snúningshraða þeytivindu

1. Snertu  til að fara í gegnum mögulega snúningshraða þeytivindu: (0, 400, 600, 800, 1000, 1200, 1400)



ATHUGAÐU!

Þegar slökkt er á gaumljósi vinduhráða er vinduhráðinn 0.





ATHUGAÐU!

Með hærri vinduhráða verður meiri hávaði og afgangsraki innihaldsins verður minni.

Breyta hitastiginu

1. Snúðu kerfisvalinu til að velja kerfi.
2. Snertu  til að fara í gegnum öll möguleg hitastig: (Kalt, 20 °C, 30 °C, 40 °C, 60 °C, 90 °C)

Notaðu seinkunarvalkostinn

1. Snúðu kerfisvalinu til að velja kerfi.
2. Breyttu stillingum og veldu valkosti ef þarf.
3. Snertu  til að fara í gegnum alla mögulega seinkunartíma.
4. Snertu . Þvottalotan hefst eftir að seinkunartíminn er liðinn.



Þú getur hætt við seinkunartímann með því að snerta  til að fara í gegnum mögulega seinkunartíma þar til skjárin sýnir 0H.

Notaðu valkostinn fyrir auka skol

1. Snúðu kerfisvalinu til að velja kerfi.
2. Snertu  til að fara í gegnum mögulega valkosti þar til  er sýnt. **ATHUGAÐU!** Auka skol valkostinn má nota saman með Forþvottur valkostur. Farðu í gegnum valkostina þar til bæði  og  er sýnt.
3. Ýttu á .

Notaðu valkostinn fyrir forþvott



ATHUGAÐU!

Þú þarft að bæta við þvottaefni fyrir forþvott þegar þú velur þennan valkost. Sjá hluti "Þvottaefnisskammtari", síða 285.

1. Snúðu kerfisvalinu til að velja kerfi.
2. Snertu  til að fara í gegnum mögulega valkosti þar til  er sýnt.
ATHUGAÐU! Forþvottur valkostinn má nota saman með Auka skol valkostur. Farðu í gegnum valkostina þar til bæði  og  er sýnt.
3. Ýttu á .



Notaðu SpaCare valkostinn

Þessi valkostur er tiltækur með kerfunum Baðmull, Barnaföt, Rúmföt og Blandað efni.






ATHUGAÐU!

SpaCare notar gufu til að bæta árangur við þvott. Í upphafi þvottalotu er vatnið hitað upp að 70 °C til að búa til gufu innan í tromlunni.


1. Snúðu kerfisvalinu til að velja kerfi.
2. Snertu .
3. Ýttu á .


Notaðu valkostinn fyrir hraðþvott

1. Snúðu kerfisvalinu til að velja kerfi.
2. Snertu  til að fara í gegnum mögulega valkosti þar til  er sýnt.
3. Ýttu á .

Notaðu aðgerðina „Mitt þvottakerfi“

Hægt er að vista kerfi sem er oft notað fyrir flýtiaðgang. Sjálfgefið kerfi er Baðmull.

1. Veldu kerfi og stillingarnar og valkostina sem þú vilt nota.
2. Snertu og haltu  í 3 sekúndur til að bæta núverandi kerfi og stillingum við minnið.

Kerfið og stillingar eru nú geymd og hægt að nota með því að snúa kerfisvalinu til **Mitt þvottakerfi** .

Endurhlaða - taui bætt við meðan þvottur er í gangi

Þú getur bætt meira taui við þvott með því fyrst að gera hlé á kerfinu.



VIÐVÖRUN!

Ekki nota þessa aðgerð þegar vatnsyfirborðið er yfir brún innri tromlunnar eða stillt er á hátt hitastig.



1. Ýttu og haltu  í 3 sekúndur.
 er sýnt.
2. Bíddu eftir að tromlan hætti að snúast og hurðin aflæsisst.
VIÐVÖRUN! Þegar tromlan er enn að snúast og það er mikið magn af vatni í henni þá er ekki öruggt að leyfa opnun hurðarinnar og ekki hægt að opna hana með affi.
3. Bættu tauinu við og lokaðu hurðinni.
4. Ýttu á  til að halda áfram þvotti.

Slökkt/kveikt á hljóðmerki



ATHUGAÐU!

Hljóðmerkið heyrir ekki ef slökkt hefur verið á því.

1. Snertu og haltu  í 3 sekúndur til að slökka á hljóðmerkinu.
2. Snertu og haltu  í 3 sekúndur til að kveikja á hljóðmerkinu.

Stillingin helst áfram þar til næst er endurstíllt.

Þvottakerfi

20 °C

20 °C sem sjálfgefið hitastig. Einnig er hægt að velja kalt vatn.

Sjálfgefið hitastig	20 °C
Sjálfgefinn tími	1:01
Sjálfgefinn hraði	1000 rpm
Hámarkshleðsla, þvottur	8,0 kg
Þvottaefni fyrir forþvott	-
Aðalþvottaefni	Nauðsynlegt
Mýkingarefni	Valfrjálst
Valkostir	<ul style="list-style-type: none"> • Seinkun • Auka skol

Barnaföt

Heldur hitastigi við þvott í yfir 60 °C í meira en 30 mínútur til að fjarlægja skaðlegar bakteríur.

Sjálfgefið hitastig	60 °C
Sjálfgefinn tími	1:42
Sjálfgefinn hraði	800 rpm
Hámarkshleðsla, þvottur	8,0 kg
Þvottaefni fyrir forþvott	Valfrjálst
Aðalþvottaefni	Nauðsynlegt
Mýkingarefni	Valfrjálst
Valkostir	<ul style="list-style-type: none"> • Seinkun • Auka skol • Forþvottur • Óhreinindastig • SpaCare • Hraðþvottur

Rúmföt

Fyrir rúmföt, lök eða aðra stóra hluti.

Sjálfgefið hitastig	40 °C
Sjálfgefinn tími	1:48
Sjálfgefinn hraði	1000 rpm
Hámarkshleðsla, þvottur	8,0 kg
Þvottaefni fyrir forþvott	Valfrjálst

Aðalþvottaefni	Nauðsynlegt
Mýkingarefni	Valfrjálst
Valkostir	<ul style="list-style-type: none"> • Seinkun • Auka skol • Forþvottur • Óhreinindastig • SpaCare • Hraðþvottur

Baðmull

Fyrir slitþolin, hitaþolin textílefni gerðum úr baðmull eða líni.

Sjálfgafið hitastig	40 °C
Sjálfgefinn tími	3:39
Sjálfgefinn hraði	1400 rpm
Hámarkshleðsla, þvottur	8,0 kg
Þvottaefni fyrir forþvott	Valfrjálst
Aðalþvottaefni	Nauðsynlegt
Mýkingarefni	Valfrjálst
Valkostir	<ul style="list-style-type: none"> • Seinkun • Auka skol • Forþvottur • Óhreinindastig • SpaCare • Hraðþvottur

Þrif tromlu

Hreinsar tromlu vélarinnar við 90 °C. Notist ekki fyrir þvott.



Til að auka áhrif hreinsunarinnar er hægt að nota klórbleikiefni sem ætlað er fyrir þvottavélar. Fylgið leiðbeiningunum sem fylgja bleikiefninu.

Sjálfgafið hitastig	90 °C
Sjálfgefinn tími	1:18
Sjálfgefinn hraði	-
Hámarkshleðsla, þvottur	-
Þvottaefni fyrir forþvott	-
Aðalþvottaefni	-
Mýkingarefni	-
Valkostir	<ul style="list-style-type: none"> • Seinkun

ECO 40-60

Ráðlagt fyrir venjulega óhreint baðmullartau.

**ATHUGAÐU!**

Þetta kerfi getur þvegið tau sem gefið er upp sem þvottelt við 40 °C eða 60 °C í einu lagi í sömu lotunni.

Sjálfsgefið hitastig	40 °C
Sjálfsgefinn tími	3:32
Sjálfsgefinn hraði	1400 rpm
Hámarkshleðsla, þvottur	8,0 kg
Þvottaefni fyrir forþvott	-
Aðalþvottaefni	Nauðsynlegt
Mýkingarefni	Valfrjálst
Valkostir	<ul style="list-style-type: none"> • Seinkun

Öflugt

Þvottaíminn er lengdur fyrir árangursríkari þvott.

Sjálfsgefið hitastig	40 °C
Sjálfsgefinn tími	3:48
Sjálfsgefinn hraði	800 rpm
Hámarkshleðsla, þvottur	8,0 kg
Þvottaefni fyrir forþvott	-
Aðalþvottaefni	Nauðsynlegt
Mýkingarefni	Valfrjálst
Valkostir	<ul style="list-style-type: none"> • Seinkun

Blandað efni

Blönduð hleðsla sem samanstendur af textílefnum úr baðmull og gerviefnum.

Sjálfsgefið hitastig	40 °C
Sjálfsgefinn tími	1:20
Sjálfsgefinn hraði	800 rpm
Hámarkshleðsla, þvottur	8,0 kg
Þvottaefni fyrir forþvott	Valfrjálst
Aðalþvottaefni	Nauðsynlegt
Mýkingarefni	Valfrjálst
Valkostir	<ul style="list-style-type: none"> • Seinkun • Auka skol • Forþvottur • SpaCare • Hraðþvottur

Mitt þvottakerfi

Skilgreindu og vistaðu upphalds samsetningu þína af þvottakerfum og valkostum. Sjá hluti "Notaðu aðgerðina „Mitt þvottakerfi“", [síða 292](#).

Vinding

Auka vinding með veljanlegum vinduhraða.

Sjálfgafið hitastig	-
Sjálfgefinn tími	0:12
Sjálfgefinn hraði	1000 rpm
Hámarkshleðsla, þvottur	8,0 kg
Þvottaefni fyrir forþvott	-
Aðalþvottaefni	-
Mýkingarefni	-
Valkostir	<ul style="list-style-type: none"> Seinkun

Gerviefni

Fyrir þvott á hlutum úr gerviefnum, eins og skyrtum, kápum og blönduðum efnum. Þegar þrjónavörur eru þvegnar ætti að minnka magn þvottaefnis til að forðast óhóflega froðumyndun.

Sjálfgafið hitastig	40 °C
Sjálfgefinn tími	3:18
Sjálfgefinn hraði	1200 rpm
Hámarkshleðsla, þvottur	4,0 kg
Þvottaefni fyrir forþvott	Valfrjálst
Aðalþvottaefni	Nauðsynlegt
Mýkingarefni	Valfrjálst
Valkostir	<ul style="list-style-type: none"> Seinkun Auka skol Forþvottur Óhreinindastig

Stutt 15 mín

Mjög stutt kerfi. Hentar fyrir lítið magn af lítið óhreinu taui.

Sjálfgafið hitastig	Kalt
Sjálfgefinn tími	0:15
Sjálfgefinn hraði	800 rpm
Hámarkshleðsla, þvottur	2,0 kg
Þvottaefni fyrir forþvott	-
Aðalþvottaefni	Nauðsynlegt

Mýkingarefni	Valfrjálst
Valkostir	<ul style="list-style-type: none"> • Seinkun

Skolkerfi

Auka skolun og vinding.

Sjálfgefið hitastig	-
Sjálfgefinn tími	0:20
Sjálfgefinn hraði	1000 rpm
Hámarkshleðsla, þvottur	8,0 kg
Þvottaefni fyrir forþvott	-
Aðalþvottaefni	-
Mýkingarefni	Valfrjálst
Valkostir	<ul style="list-style-type: none"> • Seinkun • Auka skol

Ull

Ull sem má handþvo eða þvo í vél eða textílefni sem innihalda mikla ull. Mild þvottakerfi sem hönnuð eru til að hindra að tauið hlaupi. Inniheldur lengri lotur án tromlusnúnings.

Sjálfgefið hitastig	40 °C
Sjálfgefinn tími	1:07
Sjálfgefinn hraði	600 rpm
Hámarkshleðsla, þvottur	2,0 kg
Þvottaefni fyrir forþvott	-
Aðalþvottaefni	Nauðsynlegt
Mýkingarefni	Valfrjálst
Valkostir	<ul style="list-style-type: none"> • Seinkun • Auka skol

HREINSUN

Rétt viðhald tækis þíns getur lengt endingartíma þess.

Þegar þarf skaltu nota kalkhreinsi sem ætlaður er fyrir þvottavélar. Fylgdu leiðbeiningunum sem fylgja hreinsiefninu.



VIÐVÖRUN!

Taktu vélina úr sambandi og skrúfaðu fyrir kranann áður en viðhald er hafið.



VARÚÐ!

Notaðu ekki alkóhól, leysiefni eða kemísk efni til að hreinsa tækið.

Hreinsaðu ytra byrði

- Þegar þarf skal hreinsa yfirborðið með útþynntu ósvarfandi hlutlausu hreinsiefni.
- Ef vatn hefur flætt skal þurrka það tafarlaust með klút.

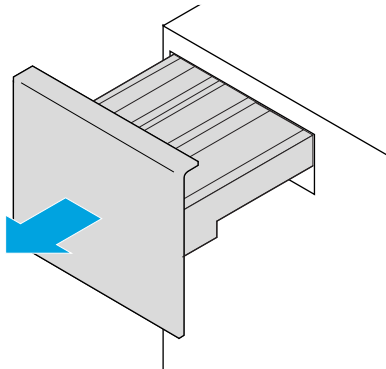


VARÚÐ!

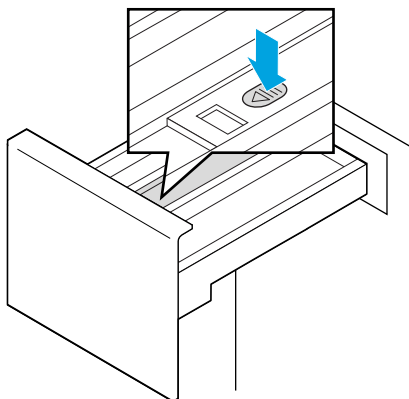
- Notaðu ekki beitt hreinsunaráhöld.
- Notaðu ekki maurusýru eða leysiefni, eins og alkóhól og kemísk efni, o.s.frv.

Hreinsaðu þvottaefnisskammtarann

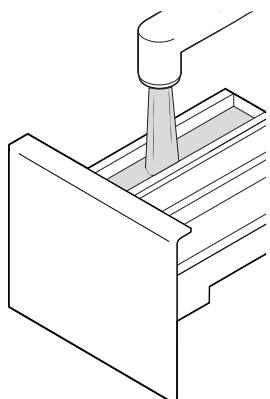
1. Opnaðu skammtarann.



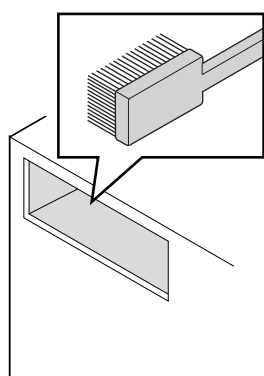
2. Ýttu hnappinum niður og togaðu skammtarann út.



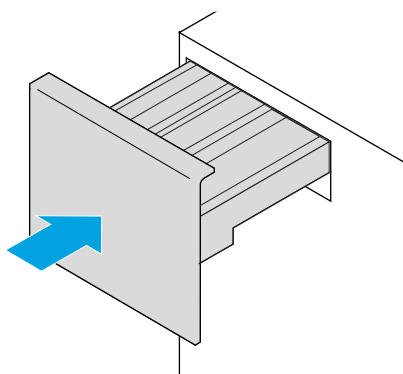
3. Hreinsaðu skammtarann með vatni.



4. Hreinsaðu innan í útskotinu með gömlum tannbursta.



5. Settu skammtarann í.



Hreinsaðu tromluna

- Fjarlægðu tafarlaust allt ryð sem verður eftir innan í tromlunni vegna málmhluta.

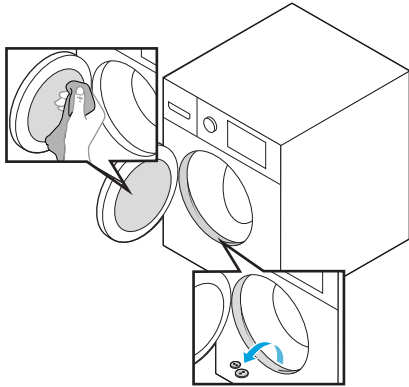


VARÚÐ!

- Notaðu klórlaust þvottaefni.
 - Ekki nota stálull.
- Keyrðu kerfið sem ætlað er til hreinsunar tromlunnar ef þarf. Sjá hluti "Drum clean Trommelreinigung Trumrengöring Trommelrengjøring Tromlerengöring Rummun puhdistus Prif tromlu", [síða 294](#).

Hreinsaðu þéttingar og gler hurðarinnar

Gerðu þetta eftir hvern þvott.



- Þurrkaðu glerið og þéttinguna til að fjarlægja kusk og bletti.



ATHUGAÐU!

Ef kusk safnast upp getur það valdið leka.

- Fjarlægðu alla mynt, hnappa eða aðra hluti úr þéttingunni.



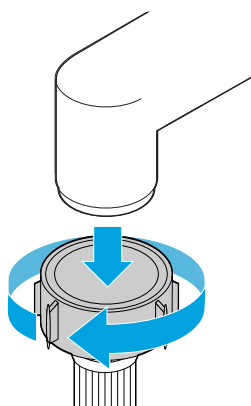
VARÚÐ!

- Notaðu klórlaust þvottaefni.
- Ekki nota stálull.

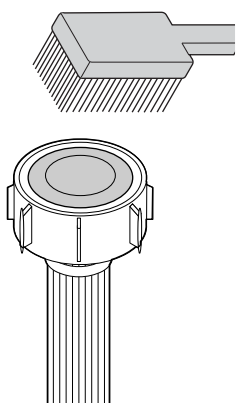
Hreinsaðu kranainntakssíuna

Hreinsaðu kranainntakssíuna á 3 mánaða fresti. Hreinsa þarf kranainntakssíurnar ef hömlur eru á vatnsinntakinu.

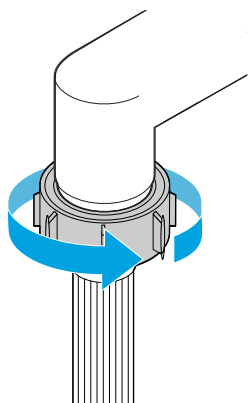
1. Skrúfaðu fyrir kranann og fjarlægðu vatnsslönguna frá krananum.



2. Hreinsaðu síuna.



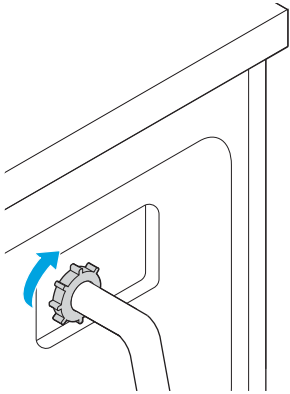
3. Settu vatnsslönguna aftur á kranann og skrúfaðu frá krananum.



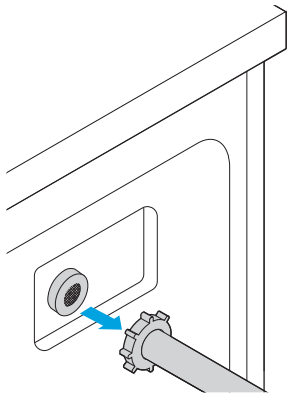
Hreinsaðu inntakssíu vélar

Hreinsaðu vélarinntakssíuna á 3 mánaða fresti. Hreinsa þarf inntakssíu vélar ef hömlur eru á vatnsinntakinu.

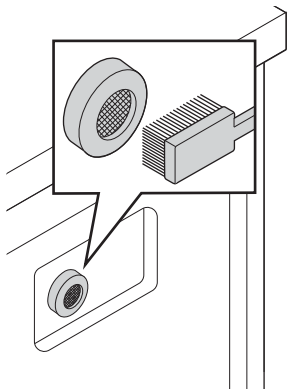
1. Skrúfaðu fyrir kranann og losaðu inntaksleiðsluna aftan af vélinni.



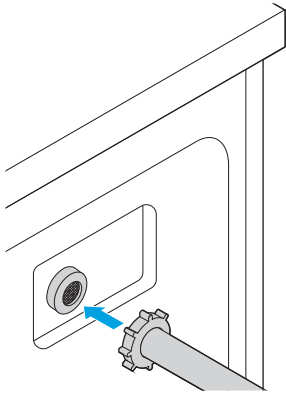
2. Fjarlægðu inntaksleiðsluna.



3. Hreinsaðu síuna með bursta.



4. Settu inntaksleiðsluna aftur í og skrúfaðu frá krananum.



Hægt er að fjarlægja síuna og hreinsa sérstaklega.

Hreinsaðu frárennslisdælusíuna

Frárennslisdælusían er hönnuð til að fanga trefjar og litla aðskotahluti. Hreinsaðu síuna reglulega til að tryggja eðlilega virkni vélarinnar.



VIÐVÖRUN!

Taktu vélina úr sambandi áður en þú hreinsar síuna til að forðast raflost.



VIÐVÖRUN!

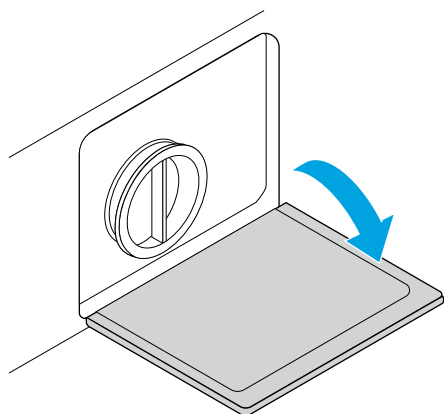
- Vertu varkár. Vatnið gæti verið heitt!
- Láttu þvottaefnislausnina kólna niður áður en þú hreinsar síuna.



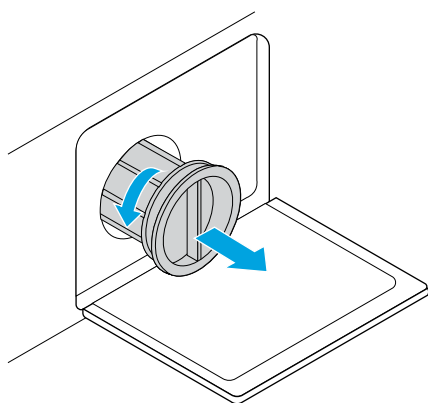
VARÚÐ!

Aldrei skal fjarlægja dæluhlífina meðan á þvottalotu stendur. Bíddu alltaf þar til vélin hefur lokið lotunni og er tóm.

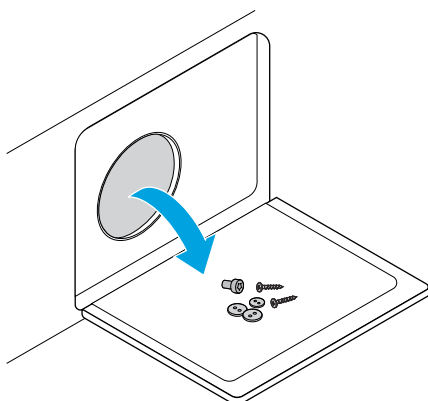
1. Opnaðu síuhlífina.



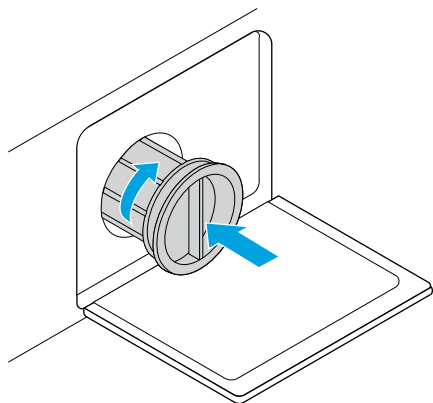
2. Snúðu síunni rangsælis og togaðu hana út.



3. Fjarlægðu alla aðskotahluti.



4. Settu síuna aftur í og lokaðu hlífinni.

**VARÚÐ!**

Gakktu úr skugga um að lokið sé rétt sett í; festingar verða að vera rétt samstilltar til að vatn geti ekki lekið.

BILANAGREINING

Vélin ræsist ekki

Það geta verið aðrar orsakir fyrir vandamálinu. Fylgdu leiðbeiningunum fyrir orsakirnar sem stungið er upp á til að leysa vandamálið.

Hurðin er ekki rétt lokuð

1. Athugaðu hvort eitthvert tau er fast.
2. Lokaðu hurðinni og reyndu að ræsa aftur.

Vélin er ekki tengd við rafmagn

Tengdu rafmagnssnúruna við rafmagnsinnstunguna.

Ekkert kerfi hefur verið valið

Veldu kerfi.

Þú gleymdir að ýta á Start/Hlé hnappinn



Ýttu á hnappinn.

Ekki er kveikt á vélinni

Kveiktu á vélinni.

Ekki kviknar á skjánum

Það geta verið aðrar orsakir fyrir vandamálinu. Fylgdu leiðbeiningunum fyrir orsakirnar sem stungið er upp á til að leysa vandamálið.

Raftenging virkar ekki

1. Athugaðu hvort raftengingin virkar.
2. Ef hún virkar ekki skaltu hafa samband við viðurkenndan rafvirkja á staðnum.

Rafmagnskló hefur ekki verið sett í

Tengdu rafmagnskló við rafmagnsinnstungu.

Ekkert kerfi hefur verið valið

Veldu kerfi.

Ekki er kveikt á vélinni

Ýttu á ON/OFF hnappinn.



Ekki er hægt að opna hurðina

Öryggismillilæsing vélarinnar er virk

Aftengdu frá rafmagni og endurræstu vélina.

Vatn lekur

Tenging á milli vélar og inntaksleiðslu eða frárennisslöngu er ekki þétt.

- Athugaðu og hertu tengingarnar.
- Hreinsaðu frárennisslönguna.

Þvottaefnisleifar í skammtaranum

Þvottaefni er rakt eða í klumpum

Hreinsið og þurrkið af þvottaefnisskammtaranum. Sjá hluti "Hreinsaðu þvottaefnisskammtaran", [síða 298](#).

Ekki kviknar á gaumljósi eða skjá

Vandamál við raftengingu

Athugaðu að kveikt sé á afli og rafmagnsklóin rétt sett í.

Óeðlilegur hávaði

Það geta verið aðrar orsakir fyrir vandamálinu. Fylgdu leiðbeiningunum fyrir orsakirnar sem stungið er upp á til að leysa vandamálið.

Flutningsboltar hafa ekki verið fjarlægðir

Fjarlægðu flutningsboltana. Sjá hluti "Fjarlægðu flutningsboltana", [síða 312](#).

Vélin er ekki hallastillt

Hallastilltu vélina. Sjá hluti "Hallastilltu vélina", [síða 314](#).

E10 villukóðinn er sýndur

Vatnsinnælingarvandamál við þvott

- Athugaðu hvort vatnsprýstingur er of lífill.
- Réttu úr vatnsleiðslunni.
- Athugaðu hvort sía inntaksloka sé stífluð.

E12 villukóðinn er sýndur

Vatn flæðir

Endurræstu vélina.

E21 villukóðinn er sýndur

Vatnstæming tekur of langan tíma

Athugaðu hvort frárennslisslangan er stífluð.

E30 villukóðinn er sýndur

Hurðin lokast ekki rétt

1. Athugaðu hvort einhver föt eru föst.
2. Lokaðu hurðinni og reyndu að ræsa aftur.

EXX villukóðinn er sýndur

Önnur vandamál

Reyndu aftur, hafðu síðan samband við þjónustu ef vandamálið er viðvarandi. Hafðu samband við **Elvita þjónustu** ef þú þarft hjálp með tækið þitt.

UPPSETNING

Fylgdu leiðbeiningunum í þessum hluta til að setja upp vélina.



VIÐVÖRUN!

- Ef rafmagnssnúran er skemmd verður henni að vera skipt út af framleiðandanum, þjónustuaðila hans eða sambærilega hæfum einstaklingum til að forðast hættu.
- Notaðu nýju slöngusettin sem fylgja vélinni. Endurnotið ekki gömul sett.
- Til að tryggja öryggi þitt skaltu tengja tengilinn í jarðtengda innstungu. Athugaðu vandlega að innstungan þín sé jarðtengd á réttan og áreiðanlegan hátt.
- Verið viss um að vélin sé tengd við vatn og rafveitu af aðila með viðeigandi hæfni, samkvæmt fyrirmælum framleiðandans og öryggisreglum sem gilda á staðnum.



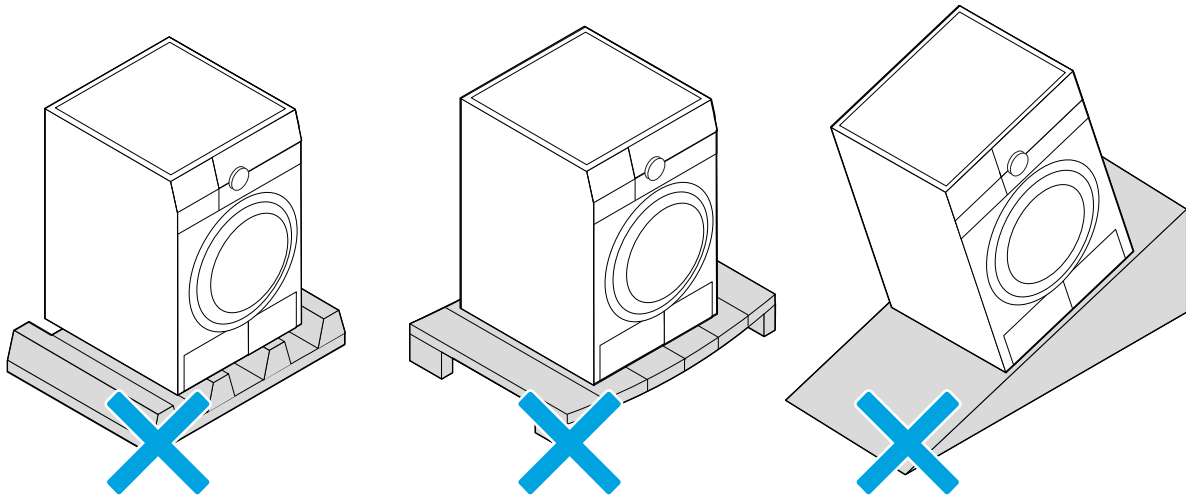
VARÚÐ!

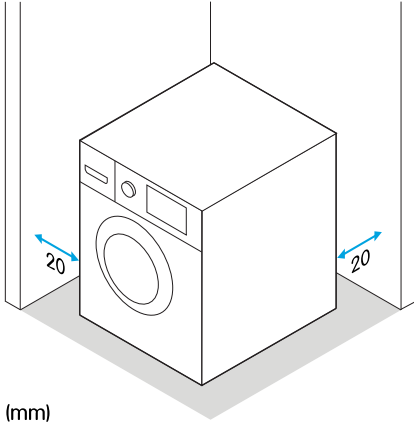
Innrennisslaskan verður að vera tengd við kaldavatsinntakið.

Uppsetningarsvæði

Hafðu eftirfarandi í huga þegar þú velur stað til að setja vélina upp á:

- Forðist beint sólarljós.
- Loftræsting sé nægileg.
- Herbergishitastig sé yfir 0 °C.
- Haldið fjarlægð frá hitagjöfum eins og kol- eða gastækjum.
- Yfirborðið ætti að vera fast, þurrt og lárétt. Stöðugleiki er mikilvægur til að hindra að vélin hreyfist úr stað.





(mm)

**VIÐVÖRUN!**

- Gakktu úr skugga um að vélin standi ekki ofan á rafmagnssnúrunni.
- Tengillinn verður að vera aðgengilegur eftir uppsetningu.

**VIÐVÖRUN!**

Ekki má nota tækið í herbergjum þar sem mikil bleyta er eða í herbergjum þar sem hættu er á myndun sprengifims eða ætandi gaslofts.

**VARÚÐ!**

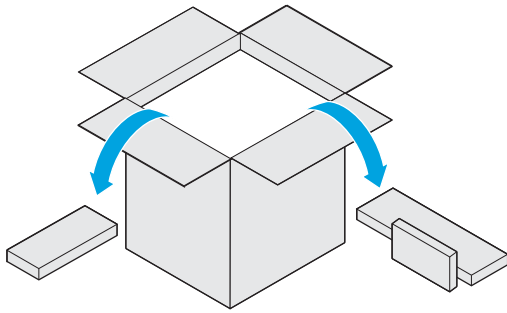
- Vélin er einungis til nota innandyra.
- Vélin er ekki ætluð til að vera innbyggð í skáp.
- Teppi má ekki hindra opin.

Taktu vélinu úr umbúðunum

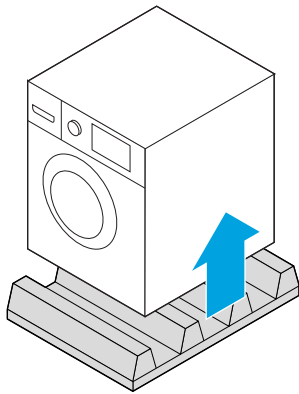
**VIÐVÖRUN!**

Fjarlægðu allt umbúðaefti og flutningsbolta áður en vélin er notuð. Annars gætu orðið alvarlegar skemmdir á því.

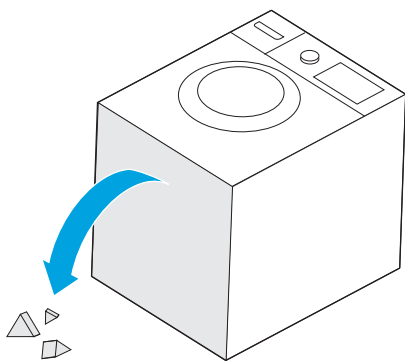
1. Fjarlægðu pappakassann og frauðplastumbúðirnar.



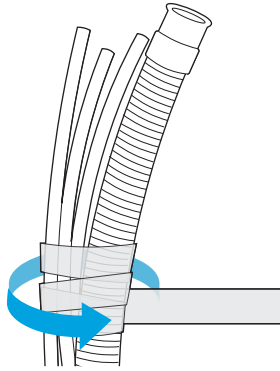
2. Lyftu tækinu og fjarlægðu grunnumbúðirnar.



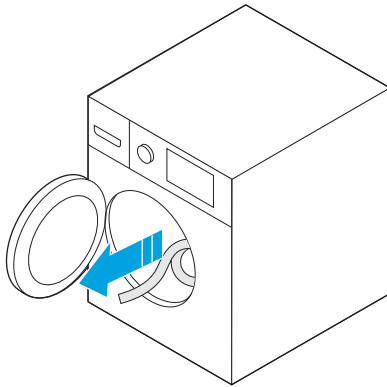
3. Leggðu tækið á hliðina og fjarlægðu litlu þríhyrndu frauðhlutana frá botninum.



4. Fjarlægðu límbandið sem heldur rafmagnssnúrunni og frárennisslöngunni.



5. Fjarlægðu aukahlutina úr tromlunni.

**VIÐVÖRUN!**

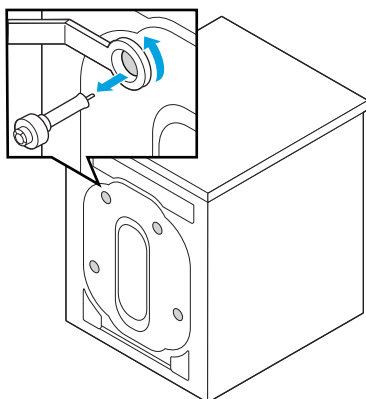
Haldið öllu umbúðafni vel fjarri börnum. Það er hættu á köfnun!

Fjarlægðu flutningsboltana

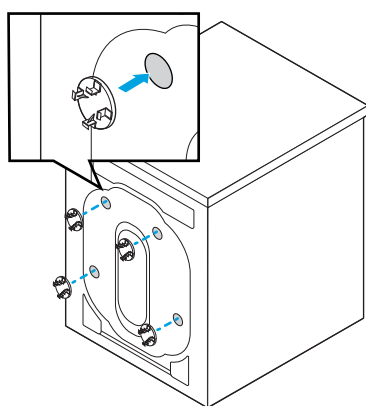
**VIÐVÖRUN!**

Það verður að fjarlægja flutningsboltana áður en vélin er notuð.

1. Losaðu boltana með skrúflykli og fjarlægðu þá.

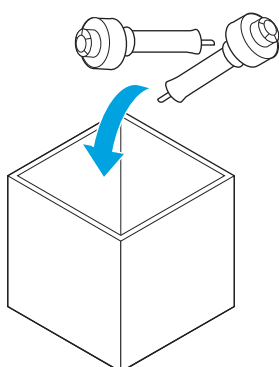


2. Settu tappana í flutningsboltagötin.



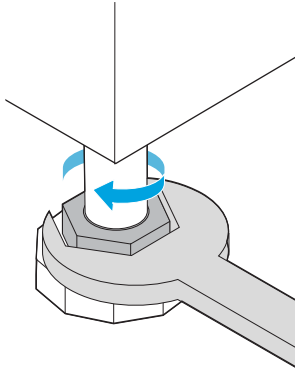
3. Geymdu boltana á öruggum stað.

ATHUGAÐU! Þú þarft að nota flutningsboltana aftur ef þú flytur vélina.

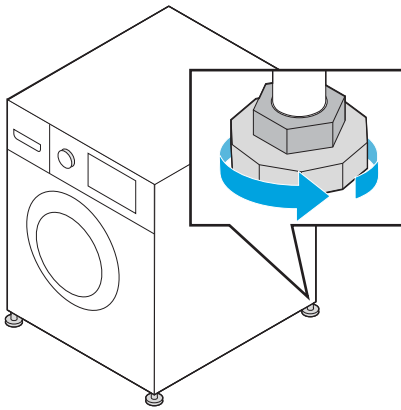


Hallastilltu vélin

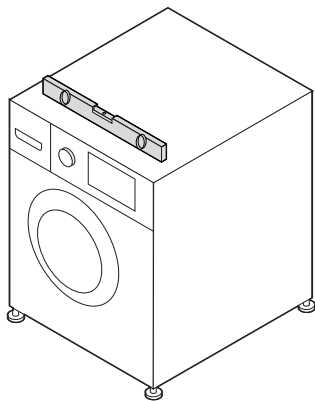
1. Losaðu rærnar og skrúfurnar að fullu.
Athugaður hvort einhver fótur snertir ekki gólfið.



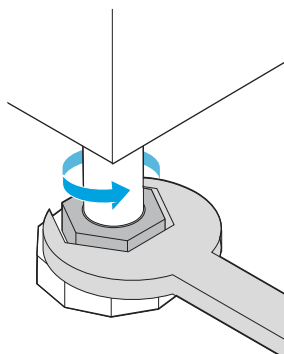
2. Ef einhver fótur snertir ekki gólfið: Skrúfaðu fótinn út þar til hann kemst í snertingu við gólfið.



3. Notaðu hallamæli til að athuga hvort þvottavélin sé alveg lárétt og stilltu fæturna aftur ef þarf.

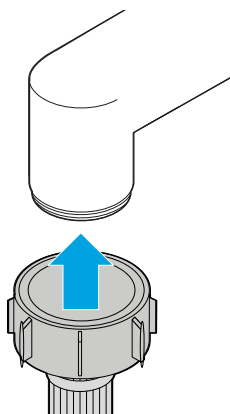


4. Hertu rærnar með skrúflykli og gakkðu úr skugga um að vélin sé stöðug.
VIÐVÖRUN! Lásrærnar á öllum fjórum fótum að vera þétt skrúfaðar að hýsingunni.

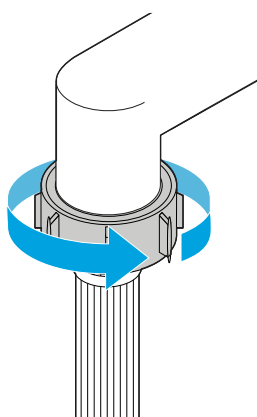


Tengdu vatnsslönguna við krana

1. Lyftu slöngunni að krananum.

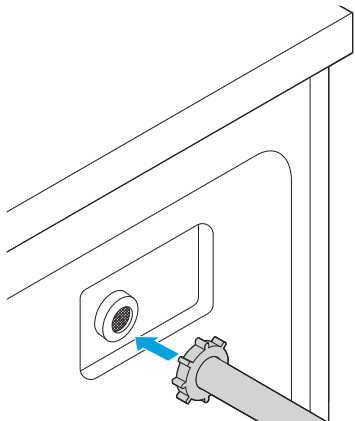


2. Skrúfaðu tengið á skrúfgang kranans.

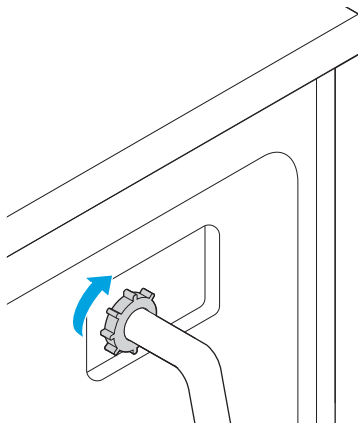


Tengdu vatnsslönguna við vélina

1. Lyftu innrennisslöngunni að innrennislökanum aftan á vélinni.



2. Skrúfaðu tengið þétt á skrúfgang kranans.



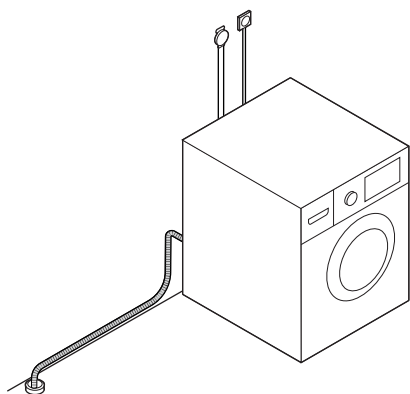
Tengdu við ytra frárennsli



VARÚÐ!

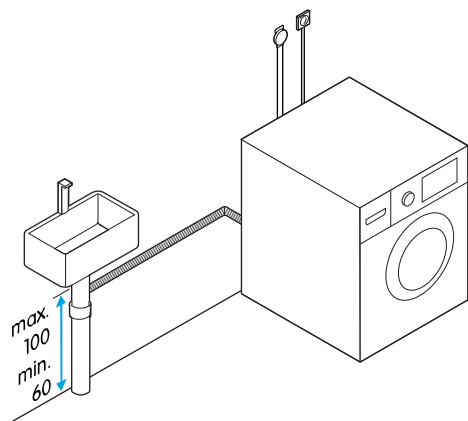
- Brjótið ekki né teygið frárennisslönguna.
- Staðsetjið frárennisslönguna rétt því það getur leitt til vatnsleka ef hún er skemmd.
- Dýfðu ekki enda frárennisslöngunnar í frárennissvatnið. Sé slöngunni dýft gæti það hamlað frárennslinu og valdið því að frárennissvatnið renni tilbaka inn í vélina.

Settu frárennisslönguna í gólfræsi



Tengdu frárennisslönguna við vask eða frárennislör

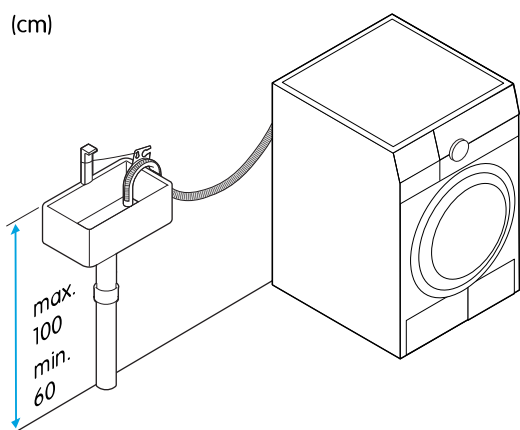
(cm)



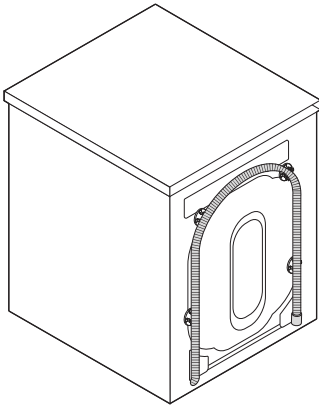
Settu frárennisslönguna í vask

Notaðu frárennisslönguhaldarann til að halda slöngunni þannig að hún beinist niður í vaskinn án þess að brot komi á hana.

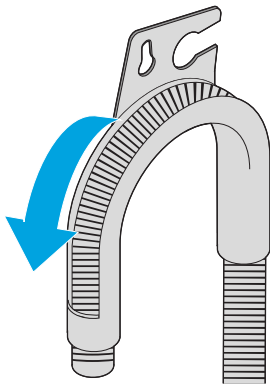
(cm)



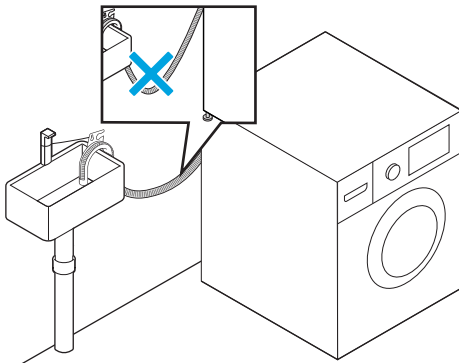
1. Fjarlægðu frárennisslönguna varlega úr klemmunum.



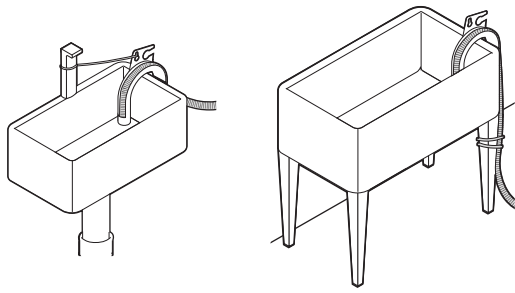
2. Settu frárennisslönguna inn í slönguhaldarann.



3. Hengdu slönguhaldarann yfir brún vaskans.



4. Festu frárennisslönguna við vaskinn með snæri, klemmu eða kapalbindi.



VIÐAUKI

Tæknilýsing


ATHUGAÐU!

Gildið fyrir uppgefið magn vísar til þyngdar á þurru taui.

Gerðarkóði	Sjá hluti "Finndu gerðarkóðann", síða 286
Breidd	595 mm
Dýpt	565 mm
Hæð	850 mm
Þyngd	68 kg
Uppgefið hámarks magn	8 kg
Hámarks vinduhraði	1400 rpm
Raftenging	220-240 V, 50 Hz
Hámarksstraumur	10 A
Málafli	2000 W
Venjulegur vatnsþrýstingur	0,05 MPa ~ 1 MPa

Orkusparnaður

Þú getur fundið upplýsingar um orkusparnað þessa tækis í EPREL, evrópsku vöruskránni fyrir orkumerkingar. Farðu til vefsíðu EPREL og notaðu gerðarauðkennið til að finna upplýsingarnar. Gerðarauðkennið má finna á orkumerkingunni sem fylgir tækinut.

EPREL vefsíða: <https://eprel.ec.europa.eu/>



Notkunargildi

Raunveruleg gildi fyrir þvottalotu geta verið önnur en gildin sem sýnd eru hér. Gildin sem gefin eru upp fyrir kerfi önnur en ECO 40-60 kerfið er aðeins til viðmiðunar.

Kerfi	Magn þvottar sem gildin fengust með (uppgefið magn fyrir ákveðið kerfi nema annað sé tekið fram) (kg)	Tímalengd kerfis (klukkustundir: mínútur)	Orkunotkun (kWh á lotu)	Vatnsnotkun (lítrar á lotu)	Hámarks hitastig náð í lágmark 5 mínútur inni í tauinu meðan á þvottalotu stendur (°C)	Rakaleifar og vinduhraði (sn./mín.) sem gildin voru fengin við
20 °C	4,0	1:01	0,183	44	20	65 % / 1000
Baðmull (60 °C)	8,0	3:39	1,120	71	40	53 % / 1400
ECO 40-60	8,0 (Uppgefið hámarksmagn)	3:38	0,857	59	34	53 % / 1400
	4,0 (helmingur uppgefins magns)	2:48	0,504	46	29	53 % / 1400
	2,0 (fjórðungur uppgefins magns)	2:48	0,240	37	21	53 % / 1400
Öflugt	8,0	3:48	1,136	71	40	70 % / 800
Blandað efni	8,0	1:20	0,754	71	40	65 % / 1000
Stutt 15 mín	2,0	0:15	0,030	40	15	75 % / 800

ESB tilskipanir og staðlar

Þetta tæki uppfyllir viðeigandi ESB tilskipanir og reglugerðir og ber á sér CE-merkið. Ef hún fylgir ekki tækinu er hægt á fá samræmisýfirlýsingu ESB samkvæmt beiðni.

- Nothæfi tækisins hefur verið prófað í samræmi við staðal EN 60456 fyrir þvottavélar.
- Varðandi ESB reglugerð 2019/2023, orkuþrófunarkerfi: ECO 40-60; aðrar stillingar: sjálfgildi.

